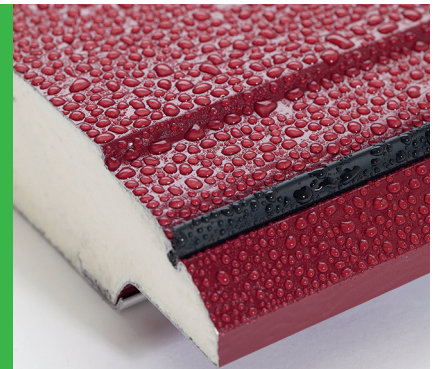


Воротные СИСТЕМЫ

Гаражные ворота TREND
Промышленные ворота
PROTREND
Каталог комплектующих



СОДЕРЖАНИЕ

1. Гаражные ворота Trend, промышленные ворота ProTrend	13
1.1 Конструкция секционных ворот	13
1.2 Полотно ворот	23
1.3 Встроенная калитка	83
1.4 Системы направляющих и подвеса	125
1.5 Система балансировки	171
2. Дополнительная комплектация	213
3. Метизы	227
4. Ремонтные узлы	235



БЫСТРЫЙ ПОИСК

Артикул..... № страницы	Артикул..... № страницы	Артикул..... № страницы
4,8x9,5SDX..... 232	CP864..... 155	CT40.1.02-425-3525..... 34
6,3x16S..... 231	CP-3502L..... 150	CT40.1.02-425-4025..... 34
6,3x25S-SS..... 232	CP-3502R..... 150	CT40.1.02-425-4526..... 34
8x25S..... 232	CP-3503LL..... 151	CT40.1.02-425-5040..... 34
10x50D..... 233	CP-3503LR..... 151	CT40.1.02-450-2625..... 34
105610..... 220	CP-3504NL..... 150	CT40.1.02-450-3025..... 34
AC-1..... 182	CP-3504NR..... 150	CT40.1.02-450-3525..... 34
AC-5/4..... 182	CR-3-250..... 196	CT40.1.02-450-4025..... 34
AG-8-12..... 46	CR-3-250-P..... 196	CT40.1.02-450-4526..... 34
B133..... 148	CR-3-250-SS..... 197	CT40.1.02-450-5040..... 34
B134..... 147	CR-4-250..... 196	CT40.1.02-475-2625..... 35
B-180TL..... 152	CR-4-250-P..... 196	CT40.1.02-475-3025..... 35
B-180TLL..... 153	CR-4-250-SS..... 197	CT40.1.02-475-3525..... 35
B-180TLR..... 153	CR-5-250..... 196	CT40.1.02-475-4025..... 35
B-180TNL..... 152	CR-5-250-P..... 196	CT40.1.02-475-4526..... 35
B-180TNR..... 152	CR-5-250-SS..... 197	CT40.1.02-475-5040..... 35
B-180TR..... 152	CR-6-250..... 196	CT40.1.02-500-2625..... 35
B0300..... 157	CR-6-250-SS..... 197	CT40.1.02-500-3025..... 35
B802..... 159	CRS1-3..... 198	CT40.1.02-500-3525..... 35
B-3500..... 157	CRS1-4..... 198	CT40.1.02-500-4025..... 35
B-3501..... 159	CRS1-5..... 198	CT40.1.02-500-4526..... 35
B-3509..... 158	CRS1-6..... 198	CT40.1.02-500-5040..... 35
BB0401..... 203	CRS2-3..... 197	CT40.1.02-525-2625..... 36
BR0400..... 203	CRS2-4..... 197	CT40.1.02-525-3025..... 36
BS11..... 94	CRS2-5..... 197	CT40.1.02-525-3525..... 36
BSB0302..... 168	CRS2-6..... 197	CT40.1.02-525-4025..... 36
C2x0,5..... 120	CRT-3..... 197	CT40.1.02-525-4526..... 36
C-9/52..... 73	CRT-5..... 197	CT40.1.02-525-5040..... 36
C-10/53..... 71	CRT-6..... 197	CT40.1.05-425-2625..... 37
C-36/41..... 123	CT40.1.01-425-2625..... 34	CT40.1.05-425-3025..... 37
C-36/41M..... 123	CT40.1.01-425-3025..... 34	CT40.1.05-425-3525..... 37
C0502..... 219	CT40.1.01-425-3525..... 34	CT40.1.05-425-4025..... 37
CB132-450..... 146	CT40.1.01-425-4025..... 34	CT40.1.05-425-4526..... 37
CB132-500..... 146	CT40.1.01-425-4526..... 34	CT40.1.05-425-5040..... 37
CD010N..... 192	CT40.1.01-425-5040..... 34	CT40.1.05-450-2625..... 37
CD011V..... 195	CT40.1.01-450-2625..... 34	CT40.1.05-450-3025..... 37
CD012N..... 192	CT40.1.01-450-3025..... 34	CT40.1.05-450-3525..... 37
CD018N..... 192	CT40.1.01-450-3525..... 34	CT40.1.05-450-4025..... 37
CD018V..... 195	CT40.1.01-450-4025..... 34	CT40.1.05-450-4526..... 37
CD018V-5/4..... 195	CT40.1.01-450-4526..... 34	CT40.1.05-450-5040..... 37
CD032N..... 193	CT40.1.01-450-5040..... 34	CT40.1.05-475-2625..... 38
CD032N-5/4..... 193	CT40.1.01-475-2625..... 35	CT40.1.05-475-3025..... 38
CD054H..... 193	CT40.1.01-475-3025..... 35	CT40.1.05-475-3525..... 38
CD120H..... 194	CT40.1.01-475-3525..... 35	CT40.1.05-475-4025..... 38
CD164H..... 194	CT40.1.01-475-4025..... 35	CT40.1.05-475-4526..... 38
CD164H-5/4..... 194	CT40.1.01-475-4526..... 35	CT40.1.05-475-5040..... 38
CH0501..... 219	CT40.1.01-475-5040..... 35	CT40.1.05-500-2625..... 38
CH-5013..... 219	CT40.1.01-500-2625..... 35	CT40.1.05-500-3025..... 38
CP113-80..... 154	CT40.1.01-500-3025..... 35	CT40.1.05-500-3525..... 38
CP113-100..... 154	CT40.1.01-500-3525..... 35	CT40.1.05-500-4025..... 38
CP113-120..... 154	CT40.1.01-500-4025..... 35	CT40.1.05-500-4526..... 38
CP113-130..... 154	CT40.1.01-500-4526..... 35	CT40.1.05-500-5040..... 38
CP113-150..... 154	CT40.1.01-500-5040..... 35	CT40.1.05-525-2625..... 39
CP113-180..... 154	CT40.1.01-525-2625..... 36	CT40.1.05-525-3025..... 39
CP-133..... 155	CT40.1.01-525-3025..... 36	CT40.1.05-525-3525..... 39
CP0506..... 216	CT40.1.01-525-3525..... 36	CT40.1.05-525-4025..... 39
CP813-100..... 154	CT40.1.01-525-4025..... 36	CT40.1.05-525-4526..... 39
CP813-120..... 154	CT40.1.01-525-4526..... 36	CT40.1.05-525-5040..... 39
CP813-150..... 154	CT40.1.01-525-5040..... 36	CT40.1.06-425-2625..... 37
CP813-180..... 154	CT40.1.02-425-2625..... 34	CT40.1.06-425-3025..... 37
CP861..... 155	CT40.1.02-425-3025..... 34	CT40.1.06-425-3525..... 37

Артикул.....	№ страницы	Артикул.....	№ страницы	Артикул.....	№ страницы
CT40.1.06-425-4025	37	FPB5009.....	64	HGI-40.007	69
CT40.1.06-425-4526	37	FPB5010.....	64	HKG-4T.....	273
CT40.1.06-425-5040	37	FPP5008.....	64	HKG-5T.....	273
CT40.1.06-450-2625	37	FRK07	45	HKG-6T.....	285
CT40.1.06-450-3025	37	FWO100/145B-40	222	HKG-7T.....	286
CT40.1.06-450-3525	37	FWO100C.....	224	HKG-8T.....	286
CT40.1.06-450-4025	37	FWO100F.....	223	HKG-9T.....	273
CT40.1.06-450-4526	37	FWO100H.....	224	HKG-10T.....	273
CT40.1.06-450-5040	37	FWO145C.....	224	HKG-12T.....	286
CT40.1.06-475-2625	38	FWO145F.....	223	HKG-13T.....	286
CT40.1.06-475-3025	38	FWO145H.....	225	HKG-16T.....	286
CT40.1.06-475-3525	38	GG-40×40.....	46	HKG-17T.....	286
CT40.1.06-475-4025	38	GG-58.....	45	HKG-18T.....	274
CT40.1.06-475-4526	38	GLG-1T.....	242	HKG-19T.....	274
CT40.1.06-475-5040	38	GLG-2T.....	242	HKG-20T.....	287
CT40.1.06-500-2625	38	GLG-3T.....	238	HKG-21T.....	287
CT40.1.06-500-3025	38	GLG-3T.....	238	HKG-22T.....	274
CT40.1.06-500-3525	38	GLG-4T.....	238	HKG-23T.....	274
CT40.1.06-500-4025	38	GLG-7T.....	257	HKI-10.....	275
CT40.1.06-500-4526	38	GLG-10T.....	258	HKI-11.....	275
CT40.1.06-500-5040	38	GSH-1T.....	289	HKI-12.....	288
CT40.1.06-525-2625	39	GSH-2T.....	289	HKI-13.....	288
CT40.1.06-525-3025	39	GSH-3T.....	289	HKI-14.....	275
CT40.1.06-525-3525	39	GSH-4.....	290	HKI-15.....	275
CT40.1.06-525-4025	39	GSH-5.....	290	HKI-16.....	275
CT40.1.06-525-4526	39	GSH-6.....	290	HKI-17.....	275
CT40.1.06-525-5040	39	GSH-7.....	290	HKI-18.....	288
DH-4015	190	GSH-8.....	290	HKI-19.....	288
DIC043BR	77	GSH-9.....	290	HKI-20.....	276
DIC043WH	77	GSH-9T.....	289	HKI-21.....	276
DIS043BR-3.....	77	GSH-10.....	290	HKI-22.....	276
DIS043BR-4.....	77	GSH-12.....	292	HKI-23.....	276
DIS043WH-3.....	77	GSH-13.....	292	HKI-24.....	288
DIS043WH-4.....	77	GSH-14.....	292	HKI-25.....	288
DP0207.....	119	GSH-15.....	292	HKI-26.....	276
DP2010.....	119	GSH-16.....	292	HKI-27.....	276
DP2027.....	119	GSH-17.....	291	HKI-28.....	288
DR-12-05.....	215	GSH-18.....	291	HKI-29.....	288
DR-12-07.....	215	GSH-19.....	293	HKI-30.....	276
DR-12-10.....	215	GSH-20.....	293	HKI-31.....	276
DR-CD010.....	211	GSH-21.....	293	HKI-32.....	288
DR-CD012.....	211	GSH-22.....	293	HKI-33.....	288
EC-40.425L.....	40	GSH-23.....	293	HKI-34.....	277
EC-40.425R.....	40	GSH-24.....	293	HKI-35.....	277
EC-40.450DL.....	40	GSH-25.....	293	HKI-36.....	277
EC-40.450DR.....	40	GSH-27.....	291	HKI-37.....	277
EC-40.450L.....	40	GSH-28.....	291	HKI-38.....	288
EC-40.450R.....	40	GTS-1	271	HKI-39.....	288
EC-40.475L.....	40	HG-40.008.....	69	HKI-40.....	277
EC-40.475R.....	40	HGI006.002.01.....	68	HKI-41.....	277
EC-40.500DL.....	40	HGI006.002.02.....	68	HKI-42.....	288
EC-40.500DR.....	40	HGI006.002.03.....	68	HKI-43.....	288
EC-40.500L.....	40	HGI006.002.04.....	68	HKI-48.....	278
EC-40.500R.....	40	HGI006.002.09.....	68	HKI-49.....	278
EC-40.525L.....	40	HGI006.002.10.....	68	HKI-50.....	278
EC-40.525R.....	40	HGI006.002.12.....	68	HKI-51.....	278
EC-40.625DL.....	40	HGI006.002.15.....	68	HKI-52.....	278
EC-40.625DR.....	40	HGI006.002.16.....	68	HKI-53.....	278
EC-40.625L.....	40	HGI006.002.17.....	68	HKI-54.....	279
EC-40.625R.....	40	HGI006.002.18.....	68	HKI-55.....	279
FPB5007.....	63	HGI-40.006.....	68	HKI-56.....	279

БЫСТРЫЙ ПОИСК

Артикул.....	№ страницы	Артикул.....	№ страницы	Артикул.....	№ страницы
HKI-57.....	279	HKU-002.....	221	LPU-19T.....	246
HKI-58.....	279	I0500.....	215	LPU-20T.....	247
HKI-59.....	279	IB-86M.....	202	LPU-21T.....	248
HKI-60.....	279	IB-111M.....	202	LPU-22T.....	249
HKI-61.....	279	IB-127M.....	202	LPU-27T.....	239
HKI-62.....	280	IB-152-5/4.....	202	LPU-27T.....	239
HKI-63.....	280	IB-152M.....	202	LPU-28T.....	240
HKI-64.....	288	IB-4508.....	205	LPU-29T.....	240
HKI-65.....	288	IB-4509.....	205	LPU-31T.....	245
HKI-66.....	280	IBB-4501.....	200	LPU-32T.....	250
HKI-67.....	280	IBB-4502.....	200	LPU-34T.....	251
HKI-68.....	280	IBB-4510.....	201	LPU-35T.....	252
HKI-69.....	280	IH-200.....	58	LPU-36T.....	253
HKI-70.....	288	IH-201.....	58	LPU-37T.....	254
HKI-71.....	288	IP-95-3800.....	189	LPU-38T.....	255
HKI-72.....	281	IP-152-3400.....	189	LPU-41T.....	245
HKI-73.....	281	IS85-2550.....	135	LPU-42T.....	250
HKI-74.....	281	IS85-3060.....	135	LPU-44T.....	251
HKI-75.....	281	IS85-3550.....	135	LPU-45T.....	252
HKI-76.....	288	IS85-4100.....	135	LPU-46T.....	253
HKI-77.....	288	IS85-4580.....	135	LPU-47T.....	254
HKI-78.....	281	IS85-6000.....	135	LPU-48T.....	255
HKI-79.....	281	IS85-7000.....	135	LS-1017.....	82
HKI-80.....	288	IS85-8000.....	135	M3x25S.....	232
HKI-81.....	288	LD-3508L.....	130	M3N.....	231
HKI-82.....	281	LD-3508R.....	130	M5x22SDX.....	233
HKI-83.....	281	LHT-3005.....	170	M6x12BP.....	229
HKI-84.....	288	LP-3514.....	160	M6x12BKL.....	230
HKI-85.....	288	LP-3515.....	160	M6x16BKL.....	230
HKI-86.....	282	LPA-5T.....	263	M6x16BP.....	229
HKI-87.....	282	LPA-6T.....	264	M6N.....	231
HKI-88.....	282	LPA-7T.....	265	M8x12B.....	229
HKI-89.....	282	LPA-8T.....	266	M8x16BKL.....	230
HKI-90.....	288	LPA-19T.....	263	M8x25BKL.....	230
HKI-91.....	288	LPA-20T.....	264	M8N.....	231
HKI-92.....	282	LPA-21T.....	265	M10x25B.....	229
HKI-93.....	282	LPA-22T.....	266	M10x55SCOL.....	232
HKI-94.....	288	LPA-27T.....	259	M10x70B.....	229
HKI-95.....	288	LPA-28T.....	259	M10x130B.....	230
HKI-100.....	288	LPA-29T.....	260	M10N.....	231
HKI-101.....	288	LPA-31T.....	262	MS-550.....	156
HKI-102.....	288	LPA-32T.....	267	MV350Rs-W.....	81
HKI-103.....	288	LPA-33T.....	268	MV350s-B.....	81
HKI-104.....	288	LPA-34T.....	269	MV350s-W.....	81
HKI-105.....	288	LPA-35T.....	270	MW40.1.01-500.....	28
HKI-106.....	288	LPA-41T.....	262	MW40.1.01-625.....	28
HKI-107.....	288	LPA-42T.....	267	MW40.1.02-500.....	28
HKI-108.....	283	LPA-43T.....	268	MW40.1.02-625.....	28
HKI-109.....	283	LPA-44T.....	269	MW40.1.03-500.....	28
HKI-110.....	283	LPA-45T.....	270	MW40.1.03-625.....	28
HKI-111.....	283	LPF-1T.....	239	MW40.1.04-500.....	28
HKI-112.....	283	LPF-2T.....	240	MW40.1.04-625.....	28
HKI-113.....	283	LPF-3T.....	240	MW40.1.09-500.....	28
HKI-114.....	284	LPU-1T.....	243	MW40.1.09-625.....	28
HKI-115.....	284	LPU-3T.....	244	MW40.1.10-500.....	28
HKI-116.....	284	LPU-5T.....	246	MW40.1.10-625.....	28
HKI-117.....	284	LPU-6T.....	247	MW40.1.12-500.....	28
HKI-118.....	284	LPU-7T.....	248	MW40.1.12-625.....	28
HKI-119.....	284	LPU-8T.....	249	MW40.1.14-500.....	28
HKI-120.....	285	LPU-15T.....	243	MW40.1.14-625.....	28
HKU001.....	221	LPU-17T.....	244	MW40.1.16-500.....	28

Артикул.....	№ страницы	Артикул.....	№ страницы	Артикул.....	№ страницы
MW40.1.16-625.....	28	PRG-19-5610.....	65	RBT-100R.....	51
MW40.1.20-500.....	28	PRG-19-6600.....	65	RBT-110L.....	51
MW40.1.20-625.....	28	PRG-20-4290.....	65	RBT-110R.....	51
P19L.....	66	PRG-20-4950.....	65	RBT-120L.....	52
P19R.....	66	PRG-20-5610.....	65	RBT-120R.....	52
P1012.....	80	PRG-20-6600.....	65	RBT-200L.....	49
P-1501.....	79	PRG-30L-1770.....	130	RBT-200R.....	49
P-1502.....	79	PRG-30L-1895.....	130	RBT-210L.....	49
PB-3007IL.....	199	PRG-30L-2020.....	130	RBT-210R.....	49
PB-3007IR.....	199	PRG-30L-2145.....	130	RBT-310L.....	47
PB-3008GL.....	199	PRG-30L-2270.....	130	RBT-310R.....	47
PB-3008GR.....	199	PRG-30L-2395.....	130	RBT-320L.....	47
PC-4506.....	177	PRG-30L-2520.....	130	RBT-320R.....	47
PRD85.....	63	PRG-30L-2645.....	130	RC0505.....	216
PRD85.....	63	PRG-30L-2770.....	130	RE101FL-5.....	139
PRD112.....	104	PRG-30L-2895.....	130	RE101FL-10.....	139
PRD113.....	103	PRG-30L-3020.....	130	RE101FL-15.....	139
PRD120.....	43	PRG-30L-3145.....	130	RE101FL-20.....	139
PRD121.....	43	PRG-30R-1770.....	130	RE101FL-25.....	139
PRD122.....	42	PRG-30R-1895.....	130	RE101FL-30.....	139
PRD123.....	43	PRG-30R-2020.....	130	RE101FL-35.....	139
PRD124.....	42	PRG-30R-2145.....	130	RE101FL-40.....	139
PRD125.....	42	PRG-30R-2270.....	130	RE101FL-45.....	139
PRD126.....	44	PRG-30R-2395.....	130	RE101FR-5.....	139
PRG01-3355.....	131	PRG-30R-2520.....	130	RE101FR-10.....	139
PRG01-4155.....	131	PRG-30R-2645.....	130	RE101FR-15.....	139
PRG01-4555.....	131	PRG-30R-2770.....	130	RE101FR-20.....	139
PRG01-6000.....	131	PRG-30R-2895.....	130	RE101FR-25.....	139
PRG01LFL-3355.....	132	PRG-30R-3020.....	130	RE101FR-30.....	139
PRG01LFL-4155.....	132	PRG-30R-3145.....	130	RE101FR-35.....	139
PRG01LFL-4555.....	132	PRG-31-5700.....	136	RE101FR-40.....	139
PRG01LFL-6000.....	132	PRG-31-6040.....	136	RE101FR-45.....	139
PRG01LFR-3355.....	132	PRG-32-5700.....	136	RE101L.....	138
PRG01LFR-4155.....	132	PRG-33-5700.....	142	RE101R.....	138
PRG01LFR-4555.....	132	PRG-35-5700.....	133	RE-801T.....	138
PRG01LFR-6000.....	132	PRG-36-5700.....	62	RK-4500.....	70
PRG01LL-3355.....	132	PRG-36-7040.....	62	RK-6000.....	70
PRG01LL-4155.....	132	PRG-37-5700.....	61	RL40.0.01-450.....	32
PRG01LL-4555.....	132	PRG-37-7040.....	61	RL40.0.01-500.....	32
PRG01LL-6000.....	132	PRG-38-5700.....	61	RL40.0.01-525.....	32
PRG01LR-3355.....	132	PRG-38-7040.....	61	RL40.0.05-450.....	32
PRG01LR-4155.....	132	PRP01.....	44	RL40.0.05-500.....	32
PRG01LR-4555.....	132	PRP03.....	44	RL40.0.06-450.....	32
PRG01LR-6000.....	132	R-130-12-G.....	59	RL40.0.06-500.....	32
PRG03-2300.....	137	R-205-12-G.....	59	RL40.0.07-450.....	32
PRG03-2800.....	137	RBI-40.100L.....	54	RL40.0.07-500.....	32
PRG03-3500.....	137	RBI-40.100R.....	54	RL40.0.14-450.....	32
PRG03-4000.....	137	RBI-40.110DL.....	53	RL40.0.14-500.....	32
PRG03-4500.....	137	RBI-40.110DR.....	53	RL40.0.16-450.....	32
PRG03-6000.....	137	RBI-40.110L.....	53	RL40.0.16-500.....	32
PRG05S.....	133	RBI-40.110R.....	53	RL40.0.16-525.....	32
PRG06.....	166	RBI-40.120DL.....	55	RL40.1.01-450.....	32
PRG07.....	144	RBI-40.120DR.....	55	RL40.1.01-500.....	32
PRG07N.....	143	RBI-40.120L.....	54	RL40.1.01-525.....	32
PRG09.....	166	RBI-40.120R.....	54	RL40.1.02-450.....	32
PRG-12.....	115	RBI-40.123.....	50	RL40.1.02-500.....	32
PRG-13.....	115	RBI-40.124.....	50	RLG003.226.01.....	72
PRG-16.....	117	RBI-40.126L.....	48	RLG003.226.02.....	72
PRG-17.....	117	RBI-40.126R.....	48	RLG003.226.03.....	72
PRG-19-4290.....	65	RBI-40.127.....	48	RLG003.226.04.....	72
PRG-19-4950.....	65	RBT-100L.....	51	RLG003.226.09.....	72

БЫСТРЫЙ ПОИСК

Артикул.....	№ страницы	Артикул.....	№ страницы	Артикул.....	№ страницы
RLG003.226.10	72	RSP26	45	SF-67	188
RLG003.226.12	72	RSS-14T-2290.....	134	SF-95	188
RLG003.226.15	72	RSS-14T-2410.....	134	SF-152L	189
RLG003.226.16	72	RSS-14T-2700.....	134	SF-152L-5/4	189
RLG003.226.17	72	RSS-14T-3160.....	134	SF-152R	189
RLG003.226.18	72	RSS-14T-3310.....	134	SF-152R-5/4.....	189
RLI0103	73	RST01	67	SH221S	175
RLT-403	71	RST-13T	134	SKH-38	208
RM40.0.01-450	31	RSW-14	105	SKH-75	208
RM40.0.01-500	31	RT-130-12-G.....	60	SKS-38	208
RM40.0.01-525	31	RT-205-12-G.....	60	SKS-75	208
RM40.0.05-450	31	S140LFL-5	141	SP-230T	174
RM40.0.05-500	31	S140LFL-10	141	SS-40.100.....	218
RM40.0.06-450	31	S140LFL-15	141	SS0206	120
RM40.0.06-500	31	S140LFL-20	141	SS0402	217
RM40.0.07-450	31	S140LFL-25	141	SS446L	218
RM40.0.07-500	31	S140LFL-30	141	SS446R	218
RM40.0.16-450	31	S140LFL-35	141	SXR 10×60 FUS.....	233
RM40.0.16-500	31	S140LFL-40	141	T-100-6000	149
RM40.0.16-525	31	S140LFL-45	141	TB006	165
RM40.1.01-450	31	S140LFR-5	141	TB007	165
RM40.1.01-500	31	S140LFR-10.....	141	TB-191T-300.....	161
RM40.1.01-525	31	S140LFR-15.....	141	TB-191T-500.....	161
RM40.1.02-450	31	S140LFR-20.....	141	TB-191T-800.....	161
RM40.1.02-500	31	S140LFR-25.....	141	TB-191T-1000.....	161
RM0104-4500	70	S140LFR-30.....	141	TB-192T	162
RP-40.123	56	S140LFR-35.....	141	TB193S-330	162
RP-40.123D	56	S140LFR-40.....	141	TB193S-680	162
RP-40.125	57	S140LFR-45.....	141	TB193S-910	162
RP-40.125D	57	S140LL	141	TB-194T	161
RS40.0.05-500	30	S140LR	141	TB603	163
RS40.0.05-625	30	S-171L	145	TB604	164
RS40.0.06-500	30	S-171R	145	TB607-300.....	163
RS40.0.06-625	30	S-172L.....	145	TB607-500.....	163
RS40.0.07-500	30	S-172R	145	TB607-800.....	163
RS40.0.07-625	30	S0504	216	TB607-1000	163
RS40.1.01-500	29	S-3505LL	140	TB607-1500	163
RS40.1.01-625	29	S-3505LR	140	TB-4507	204
RS40.1.02-500	29	S-3506NL	140	TBB-4505	201
RS40.1.02-625	29	S-3506NR	140	TBI510ML	206
RS40.1.03-500	29	SA-5/4.....	181	TBI510MR	206
RS40.1.03-625	29	SB0100	70	TBI520ML	206
RS40.1.04-500	29	SB212S	175	TBI520MR	206
RS40.1.04-625	29	SB-235	167	TBI530ML	206
RS40.1.09-500	29	SB-485	167	TBI530MR	206
RS40.1.09-625	29	SBD-86L	191	TBI540ML	206
RS40.1.10-500	29	SBD-86R	191	TBI540MR	206
RS40.1.10-625	29	SBD-111L	191	TBI550ML	206
RS40.1.12-500	29	SBD-111R	191	TBI550MR	206
RS40.1.12-625	29	SBD-127L	191	TBI560ML	206
RS40.1.14-500	29	SBD-127R	191	TBI560MR	206
RS40.1.14-625	29	SBD-152L	191	TBI570ML	206
RS40.1.16-500	29	SBD-152R	191	TBI570MR	206
RS40.1.16-625	29	SBD-TL	191	TBI580L	206
RS40.1.20-500	29	SBD-TR	191	TBI580R	206
RS40.1.20-625	29	SBD-TSS5/4L	191	TBI590L	206
RS0301	169	SBD-TSS5/4R	191	TBI590R	206
RS-3516	169	SCG-1	210	TBI922	164
RSB11	105	SCI-1	209	TBI923	164
RSB20	67	SCI-5/4	209	TBI924	165
RSP16	39	SF-51	188	TBT-916L	207

Артикул.....	№ страницы	Артикул.....	№ страницы	Артикул.....	№ страницы
TBT-916R.....	207	TSA60×51×1700L.....	184	TSA100×152×2450R.....	187
TBT-4503.....	204	TSA60×51×1700R.....	184	TSA105×152×1400L.....	187
TKU-1.....	271	TSA60×67×1500L.....	185	TSA105×152×1400R.....	187
TKU-2.....	271	TSA60×67×1500R.....	185	TSA105×152×1800L.....	187
TKU-3.....	271	TSA62,5×51×1800L.....	184	TSA105×152×1800R.....	187
TKU-4.....	271	TSA62,5×51×1800R.....	184	TSA110×152×1550L.....	187
TKU-5.....	271	TSA62,5×67×1700L.....	185	TSA110×152×1550R.....	187
TKU-6.....	271	TSA62,5×67×1700R.....	185	TSA115×152×1800L.....	187
TKU-7.....	271	TSA65×51×1900L.....	184	TSA115×152×1800R.....	187
TKU-8.....	271	TSA65×51×1900R.....	184	TSA120×152×1700L.....	187
TKU-9.....	271	TSA65×67×1700L.....	185	TSA120×152×1700R.....	187
TKU-11.....	271	TSA65×67×1700R.....	185	TSH-2750-2.....	179
TKU-13.....	272	TSA65×95×1400L.....	186	TSH-3000-2.....	179
TKU-21.....	272	TSA65×95×1400R.....	186	TSH-4500.....	179
TKU-22.....	272	TSA70×51×1400L.....	184	TSH-4500-2.....	179
TKU-23.....	272	TSA70×51×1400R.....	184	TSH-5500.....	179
TKU-24.....	272	TSA70×51×2000L.....	184	TSH-5500-2.....	179
TKU-25.....	272	TSA70×51×2000R.....	184	TSH-6000-2.....	179
TKU-26.....	272	TSA70×67×1900L.....	185	TSS-5/4-3800.....	180
TKU-27.....	272	TSA70×67×1900R.....	185	TSS-5/4-5800.....	180
TKU-28.....	272	TSA70×95×1150L.....	186	TSS-5/4-6000.....	180
TKU-29.....	272	TSA70×95×1150R.....	186	TSS-4500.....	179
TKU-30.....	272	TSA70×95×1650L.....	186	TSS-5000.....	179
TKU-31.....	272	TSA70×95×1650R.....	186	US230S.....	174
TKU-32.....	272	TSA75×67×2200L.....	185	VG-368BK.....	81
TN26×25VT×2000R.....	176	TSA75×67×2200R.....	185	VG-368RBK.....	81
TN26×33RD×2000R.....	176	TSA75×95×1300L.....	186	VG-368RWH.....	81
TN28×25BR×1150R.....	176	TSA75×95×1300R.....	186	VG-368WH.....	81
TN28×33BR×2000R.....	176	TSA75×95×1750L.....	186	W043-BR40.....	75
TN30×25WH×1500R.....	176	TSA75×95×1750R.....	186	W043-CG.....	75
TN30×33WH×2000R.....	176	TSA75×152×1300L.....	187	W043-TG.....	75
TN32×25YL×1120R.....	176	TSA75×152×1300R.....	187	W043-WH40.....	75
TN32×25YL×1250R.....	176	TSA80×95×1500L.....	186	W046-40.....	74
TN32×33GR×1050R.....	176	TSA80×95×1500R.....	186	W050-BR40.....	75
TN34×25RD×1400R.....	176	TSA80×95×2100L.....	186	W050-CG.....	76
TN34×33BL×1100R.....	176	TSA80×95×2100R.....	186	W050-TG.....	76
TN36×33OR×850R.....	176	TSA80×152×1500L.....	187	W050-WH40.....	75
TN36×33OR×1100R.....	176	TSA80×152×1500R.....	187	W51SS-40.....	78
TN38×33PN×1000R.....	176	TSA85×95×1250L.....	186	W060-BR40.....	76
TN40×33GN×1250R.....	176	TSA85×95×1250R.....	186	W060-CG.....	76
TN42×33BK×1350R.....	176	TSA85×95×1600L.....	186	W060-TG.....	76
TN45×33VT×1510R.....	176	TSA85×95×1600R.....	186	W060-WH40.....	76
TP-550.....	156	TSA85×152×1250L.....	187	W61SS-40.....	78
TSA42,5×51×1000L.....	184	TSA85×152×1250R.....	187	W085-40.....	74
TSA42,5×51×1000R.....	184	TSA85×152×1750L.....	187	W095-40.....	74
TSA45×51×1100L.....	184	TSA85×152×1750R.....	187	WD12P.....	116
TSA45×51×1100R.....	184	TSA90×95×1400L.....	186	WD13PL.....	116
TSA47,5×51×1250L.....	184	TSA90×95×1400R.....	186	WD13PR.....	116
TSA47,5×51×1250R.....	184	TSA90×95×1500L.....	186	WD16PL.....	118
TSA50×51×1350L.....	184	TSA90×95×1500R.....	186	WD16PR.....	118
TSA50×51×1350R.....	184	TSA90×152×2100L.....	187	WD17PL.....	118
TSA52,5×51×1300L.....	184	TSA90×152×2100R.....	187	WD17PR.....	118
TSA52,5×51×1300R.....	184	TSA95×95×1600L.....	186	WD-40.01L-BR.....	107
TSA55×51×1400L.....	184	TSA95×95×1600R.....	186	WD-40.01L-GR.....	107
TSA55×51×1400R.....	184	TSA95×152×1300L.....	187	WD-40.01R-BR.....	107
TSA55×67×1200L.....	185	TSA95×152×1300R.....	187	WD-40.01R-GR.....	107
TSA55×67×1200R.....	185	TSA95×152×2250L.....	187	WD-40.11L-BR.....	106
TSA57,5×51×1600L.....	184	TSA95×152×2250R.....	187	WD-40.11L-GR.....	106
TSA57,5×51×1600R.....	184	TSA100×152×1400L.....	187	WD-40.11R-BR.....	106
TSA57,5×67×1400L.....	185	TSA100×152×1400R.....	187	WD-40.11R-GR.....	106
TSA57,5×67×1400R.....	185	TSA100×152×2450L.....	187	WD-40.21L-BR.....	95

БЫСТРЫЙ ПОИСК

Артикул..... № страницы	Артикул..... № страницы	Артикул..... № страницы
WD-40.21L-GR..... 95	WD-40.153L.101..... 103	WD-40.162R.302..... 101
WD-40.21R-BR..... 95	WD-40.153L.101..... 103	WD-40.163L.001..... 112
WD-40.21R-GR..... 95	WD-40.153L.201..... 93	WD-40.163L.001..... 112
WD-40.22L-BR..... 95	WD-40.153L.201..... 93	WD-40.163L.101..... 103
WD-40.22L-GR..... 95	WD-40.153L.202..... 92	WD-40.163L.101..... 103
WD-40.22R-BR..... 95	WD-40.153L.202..... 92	WD-40.163L.201..... 93
WD-40.22R-GR..... 95	WD-40.153L.203..... 93	WD-40.163L.201..... 93
WD-40.32L-BR..... 106	WD-40.153L.203..... 93	WD-40.163L.202..... 92
WD-40.32L-GR..... 106	WD-40.153L.302..... 102	WD-40.163L.202..... 92
WD-40.32R-BR..... 106	WD-40.153L.302..... 102	WD-40.163L.302..... 102
WD-40.32R-GR..... 106	WD-40.153R.001..... 112	WD-40.163L.302..... 102
WD-40.151L.001..... 111	WD-40.153R.001..... 112	WD-40.163R.001..... 112
WD-40.151L.001..... 111	WD-40.153R.101..... 103	WD-40.163R.001..... 112
WD-40.151L.101..... 102	WD-40.153R.101..... 103	WD-40.163R.101..... 103
WD-40.151L.101..... 102	WD-40.153R.101..... 103	WD-40.163R.101..... 103
WD-40.151L.103..... 103	WD-40.153R.201..... 93	WD-40.163R.101..... 103
WD-40.151L.103..... 103	WD-40.153R.201..... 93	WD-40.163R.201..... 93
WD-40.151L.201..... 92	WD-40.153R.202..... 92	WD-40.163R.201..... 93
WD-40.151L.201..... 92	WD-40.153R.202..... 92	WD-40.163R.202..... 92
WD-40.151L.202..... 91	WD-40.153R.203..... 93	WD-40.163R.202..... 92
WD-40.151L.202..... 91	WD-40.153R.203..... 93	WD-40.163R.302..... 102
WD-40.151L.203..... 93	WD-40.153R.302..... 102	WD-40.163R.302..... 102
WD-40.151L.203..... 93	WD-40.153R.302..... 102	WD-40.250L.101..... 101
WD-40.151L.302..... 101	WD-40.161L.001..... 111	WD-40.250L.101..... 101
WD-40.151L.302..... 101	WD-40.161L.001..... 111	WD-40.250L.201..... 91
WD-40.151R.001..... 111	WD-40.161L.101..... 102	WD-40.250L.201..... 91
WD-40.151R.001..... 111	WD-40.161L.101..... 102	WD-40.250L.202..... 90
WD-40.151R.101..... 102	WD-40.161L.101..... 102	WD-40.250L.202..... 90
WD-40.151R.101..... 102	WD-40.161L.201..... 92	WD-40.250L.202..... 90
WD-40.151R.103..... 103	WD-40.161L.201..... 92	WD-40.250L.302..... 100
WD-40.151R.103..... 103	WD-40.161L.202..... 91	WD-40.250L.302..... 100
WD-40.151R.201..... 92	WD-40.161L.202..... 91	WD-40.250LA.202..... 90
WD-40.151R.201..... 92	WD-40.161L.302..... 101	WD-40.250LA.202..... 90
WD-40.151R.202..... 91	WD-40.161L.302..... 101	WD-40.250LA.302..... 100
WD-40.151R.202..... 91	WD-40.161R.001..... 111	WD-40.250LA.302..... 100
WD-40.151R.203..... 93	WD-40.161R.001..... 111	WD-40.250R.001..... 111
WD-40.151R.203..... 93	WD-40.161R.101..... 102	WD-40.250R.001..... 111
WD-40.151R.302..... 101	WD-40.161R.101..... 102	WD-40.250R.101..... 101
WD-40.151R.302..... 101	WD-40.161R.201..... 92	WD-40.250R.101..... 101
WD-40.152L.001..... 111	WD-40.161R.201..... 92	WD-40.250R.201..... 91
WD-40.152L.001..... 111	WD-40.161R.202..... 91	WD-40.250R.201..... 91
WD-40.152L.101..... 102	WD-40.161R.202..... 91	WD-40.250R.202..... 90
WD-40.152L.101..... 102	WD-40.161R.302..... 101	WD-40.250R.202..... 90
WD-40.152L.201..... 92	WD-40.161R.302..... 101	WD-40.250R.302..... 100
WD-40.152L.201..... 92	WD-40.162L.001..... 111	WD-40.250R.302..... 100
WD-40.152L.202..... 91	WD-40.162L.001..... 111	WD-40.250RA.202..... 90
WD-40.152L.202..... 91	WD-40.162L.101..... 102	WD-40.250RA.202..... 90
WD-40.152L.302..... 101	WD-40.162L.101..... 102	WD-40.250RA.302..... 100
WD-40.152L.302..... 101	WD-40.162L.201..... 92	WD-40.250RA.302..... 100
WD-40.152R.001..... 111	WD-40.162L.201..... 92	WD-40.260L.101..... 101
WD-40.152R.001..... 111	WD-40.162L.202..... 91	WD-40.260L.101..... 101
WD-40.152R.101..... 102	WD-40.162L.202..... 91	WD-40.260L.201..... 91
WD-40.152R.101..... 102	WD-40.162L.302..... 101	WD-40.260L.201..... 91
WD-40.152R.201..... 92	WD-40.162L.302..... 101	WD-40.260L.202..... 90
WD-40.152R.201..... 92	WD-40.162R.001..... 111	WD-40.260L.202..... 90
WD-40.152R.202..... 91	WD-40.162R.001..... 111	WD-40.260L.302..... 100
WD-40.152R.302..... 101	WD-40.162R.101..... 102	WD-40.260L.302..... 100
WD-40.152R.302..... 101	WD-40.162R.101..... 102	WD-40.260LA.202..... 90
WD-40.153L.001..... 112	WD-40.162R.201..... 102	WD-40.260LA.202..... 90
WD-40.153L.001..... 112	WD-40.162R.201..... 92	WD-40.260LA.302..... 100
	WD-40.162R.202..... 91	WD-40.260LA.302..... 100
	WD-40.162R.302..... 101	WD-40.260R.001..... 111
		WD-40.260R.001..... 111

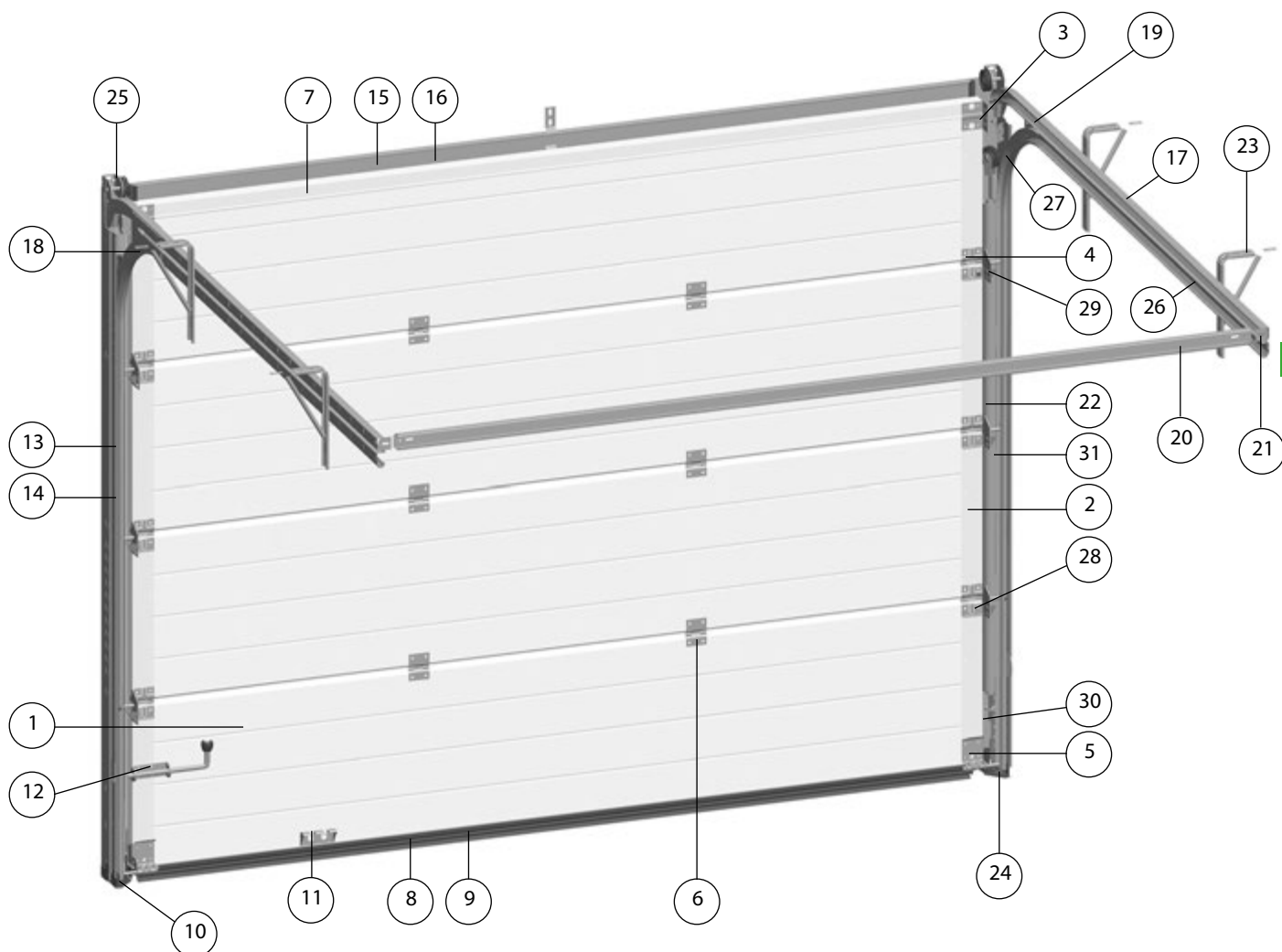
Артикул..... № страницы	Артикул..... № страницы	Артикул..... № страницы
WD-40.260R.101..... 101	WD-40.403L.103..... 99	WD-40.404R.001..... 110
WD-40.260R.101..... 101	WD-40.403L.201..... 89	WD-40.404R.001..... 110
WD-40.260R.201..... 91	WD-40.403L.201..... 89	WD-40.404R.101..... 99
WD-40.260R.201..... 91	WD-40.403L.202..... 89	WD-40.404R.101..... 99
WD-40.260R.202..... 90	WD-40.403L.202..... 89	WD-40.404R.201..... 89
WD-40.260R.202..... 90	WD-40.403L.203..... 89	WD-40.404R.201..... 89
WD-40.260R.302..... 100	WD-40.403L.302..... 99	WD-40.404R.202..... 89
WD-40.260R.302..... 100	WD-40.403L.302..... 99	WD-40.404R.202..... 89
WD-40.260RA.202..... 90	WD-40.403R.001..... 110	WD-40.404R.302..... 99
WD-40.260RA.202..... 90	WD-40.403R.001..... 110	WD-40.404R.302..... 99
WD-40.260RA.302..... 100	WD-40.403R.101..... 99	WD-40.2033L..... 104
WD-40.260RA.302..... 100	WD-40.403R.101..... 99	WD-40.2033R..... 104
WD-40.350L.202..... 90	WD-40.403R.101..... 99	WD100..... 114
WD-40.350L.202..... 90	WD-40.403R.103..... 99	WD403R.108..... 120
WD-40.350L.302..... 100	WD-40.403R.103..... 99	WD403R.108..... 120
WD-40.350L.302..... 100	WD-40.403R.201..... 89	WD2011..... 96
WD-40.350R.202..... 90	WD-40.403R.201..... 89	WD2013N..... 109
WD-40.350R.202..... 90	WD-40.403R.202..... 89	WD2014..... 109
WD-40.350R.302..... 100	WD-40.403R.202..... 89	WD2028..... 108
WD-40.350R.302..... 100	WD-40.403R.203..... 89	WD2031..... 96
WD-40.360L.202..... 90	WD-40.403R.203..... 89	WD2034L-BK..... 104
WD-40.360L.202..... 90	WD-40.403R.302..... 99	WD2034R-BK..... 104
WD-40.360L.302..... 100	WD-40.403R.302..... 99	WH-40.011..... 113
WD-40.360L.302..... 100	WD-40.404L.001..... 110	WL32..... 107
WD-40.360R.202..... 90	WD-40.404L.001..... 110	WL-40.2012..... 121
WD-40.360R.202..... 90	WD-40.404L.101..... 99	WL0200..... 121
WD-40.360R.302..... 100	WD-40.404L.101..... 99	WL0202..... 123
WD-40.360R.302..... 100	WD-40.404L.201..... 89	WL2021-BK..... 122
WD-40.403L.001..... 110	WD-40.404L.201..... 89	WL2021-BR..... 122
WD-40.403L.001..... 110	WD-40.404L.202..... 89	WL2021-SL..... 122
WD-40.403L.101..... 99	WD-40.404L.202..... 89	WL2022-BK..... 122
WD-40.403L.101..... 99	WD-40.404L.302..... 99	WL2022-BR..... 122
WD-40.403L.103..... 99	WD-40.404L.302..... 99	WL2022-SL..... 122



**ГАРАЖНЫЕ ВОРОТА TREND
ПРОМЫШЛЕННЫЕ ВОРОТА PROTREND**

КОНСТРУКЦИЯ СЕКЦИОННЫХ ВОРОТ

ГАРАЖНЫЕ ВОРОТА TREND С ПРУЖИНАМИ РАСТЯЖЕНИЯ



1.1

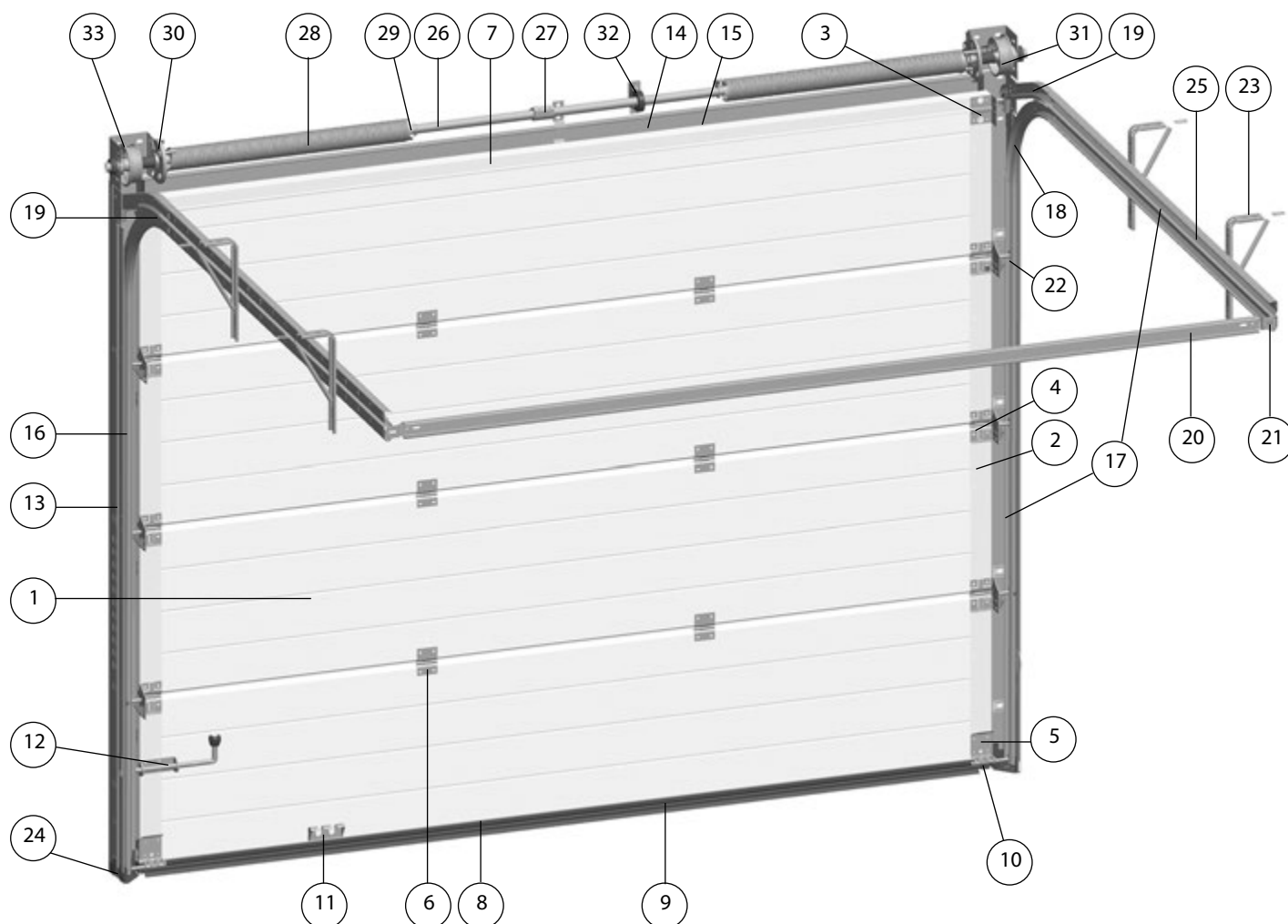
Секционные ворота «АЛЮТЕХ» соответствуют требованиям Европейских стандартов безопасности EN 12604 и EN 12453.

№	Наименование
Полотно ворот	
1	Сэндвич-панель
2	Накладка боковая
3	Кронштейн роликовый верхний
4	Кронштейн роликовый боковой
5	Кронштейн роликовый нижний
6	Петля промежуточная
7	Профиль концевой (верхний)
8	Профиль концевой (нижний)
9	Вставка уплотнительная (нижняя)
10	Упор нижний
11	Ручка
12	Засов
Системы направляющих и подвеса	
13	Профиль угловой
14	Вставка уплотнительная (боковая)
15	Профиль передний (нащельник)

№	Наименование
16	Вставка уплотнительная (верхняя)
17	Профиль направляющий
18	Элемент радиусный
19	Узел направляющий передний
20	C-профиль (мерная планка)
21	Кронштейн мерной планки
22	Кронштейн угловой
23	Подвес
24	Ограничитель угловой стойки
25	Кронштейн
26	Ограничитель
Система балансировки	
27	Узел верхний
28	Пластина
29	Фиксатор
30	Кронштейн
31	Внутренняя и наружная пружина

ГАРАЖНЫЕ ВОРОТА TREND С ТОРСИОННЫМИ ПРУЖИНАМИ

СТАНДАРТНЫЙ МОНТАЖ



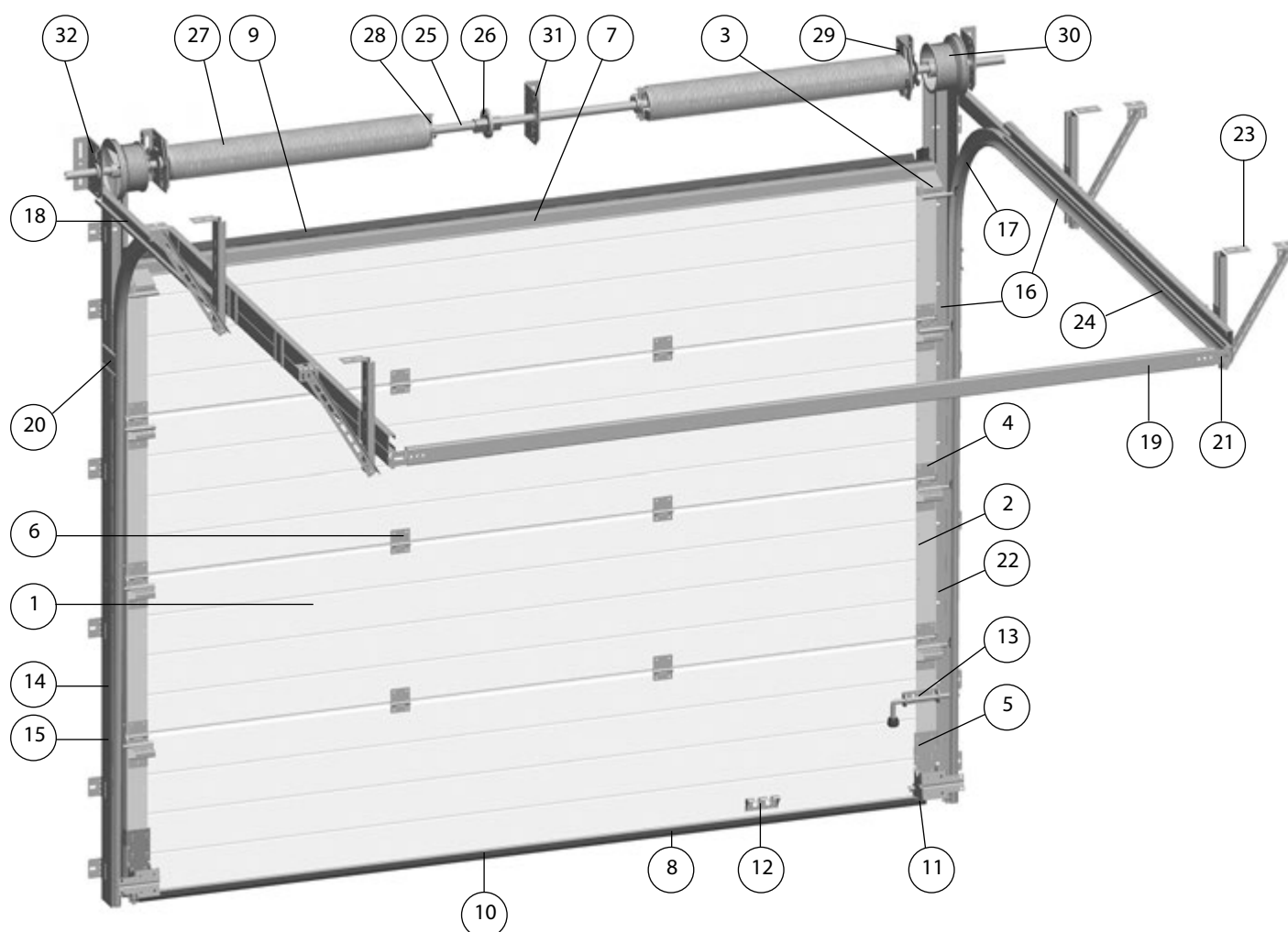
Секционные ворота «АЛЮТЕХ» соответствуют требованиям Европейских стандартов безопасности EN 12604 и EN 12453.

№	Наименование
Полотно ворот	
1	Сэндвич-панель
2	Накладка боковая
3	Кронштейн роликовый верхний
4	Кронштейн роликовый боковой
5	Кронштейн роликовый нижний
6	Петля промежуточная
7	Профиль концевой (верхний)
8	Профиль концевой (нижний)
9	Вставка уплотнительная (нижняя)
10	Упор нижний
11	Ручка
12	Засов
Системы направляющих и подвеса	
13	Профиль угловой
14	Профиль передний (нащельник)
15	Вставка уплотнительная (верхняя)
16	Вставка уплотнительная (боковая)

№	Наименование
17	Профиль направляющий
18	Элемент радиусный
19	Узел направляющий передний
20	С-профиль (мерная планка)
21	Кронштейн мерной планки
22	Кронштейн угловой
23	Подвес
24	Ограничитель угловой стойки
25	Ограничитель
Торсионный вал	
26	Вал
27	Муфта соединительная
28	Пружина
29	Наконечник пружинный
30	Муфта предохранительная храповая
31	Барaban
32	Кронштейн промежуточный
33	Кронштейн

ПРОМЫШЛЕННЫЕ ВОРОТА PROTREND

СТАНДАРТНЫЙ МОНТАЖ



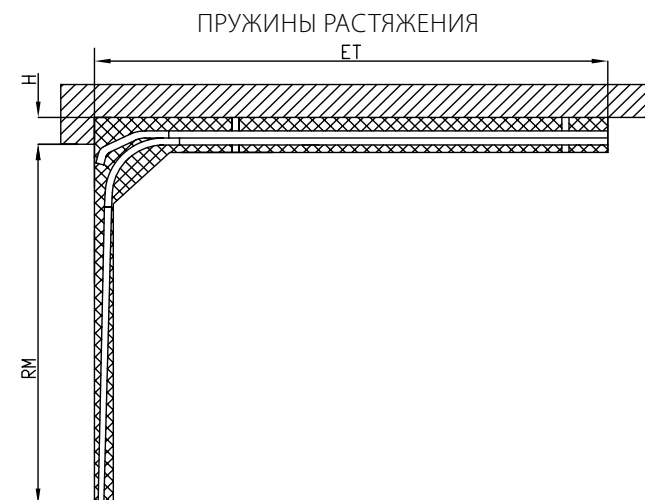
1.1

Секционные ворота «АЛЮТЕХ» соответствуют требованиям Европейских стандартов безопасности EN 12604 и EN 12453.

№	Наименование
Полотно ворот	
1	Сэндвич-панель
2	Накладка боковая
3	Кронштейн роликовый верхний
4	Кронштейн роликовый боковой
5	Кронштейн роликовый нижний
6	Петля промежуточная
7	Профиль концевой (верхний)
8	Профиль концевой (нижний)
9	Вставка уплотнительная (верхняя)
10	Вставка уплотнительная (нижняя)
11	Упор нижний
12	Ручка
13	Засов
Системы направляющих и подвеса	
14	Профиль угловой
15	Вставка уплотнительная
16	Профиль направляющий

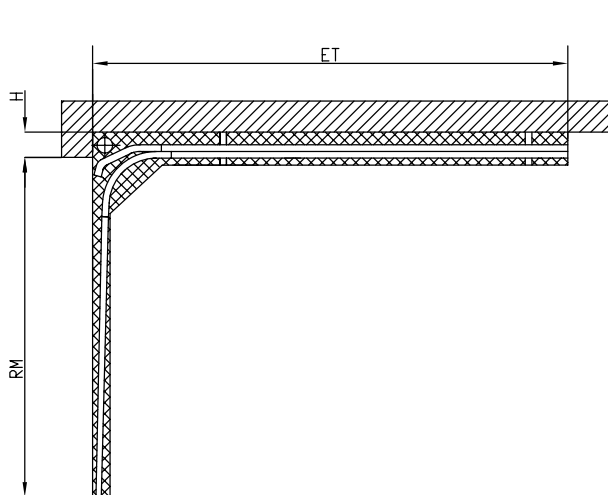
№	Наименование
17	Элемент радиусный
18	Узел передний
19	C-профиль (мерная планка)
20	Пластины соединительные
21	Кронштейн мерной планки
22	Кронштейн угловой
23	Подвес
24	Демпфер
Торсионный вал	
25	Вал
26	Муфта соединительная
27	Пружина
28	Наконечник пружинный
29	Муфта предохранительная храповая
30	Барaban
31	Кронштейн промежуточный
32	Кронштейн боковой

МОНТАЖНАЯ СХЕМА ГАРАЖНЫХ ВОРОТ TREND

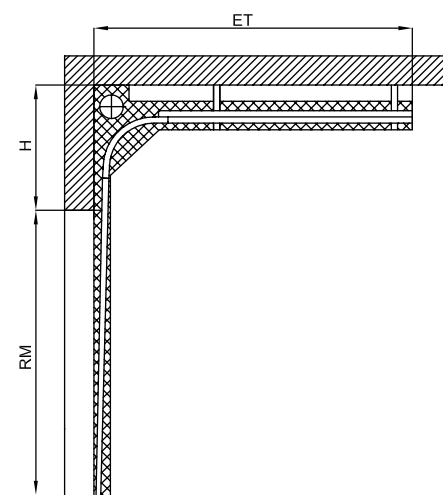


ТИПЫ МОНТАЖА ГАРАЖНЫХ ВОРОТ TREND

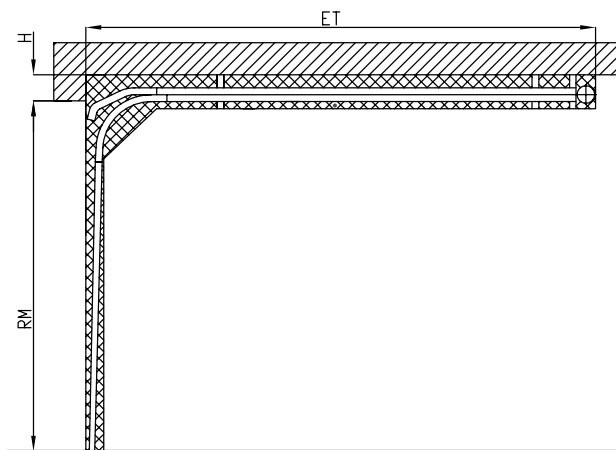
ТОРСИОННЫЕ ПРУЖИНЫ



Стандартный монтаж



Высокий монтаж



Низкий монтаж

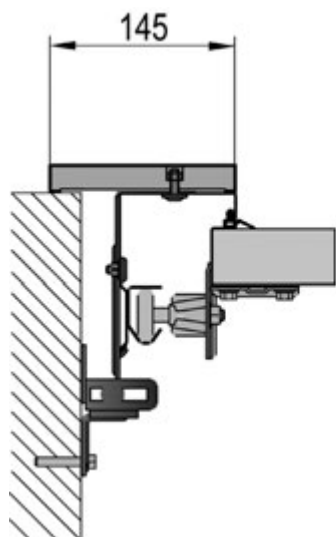
H — высота перемычки, мм

RM — высота проема, мм

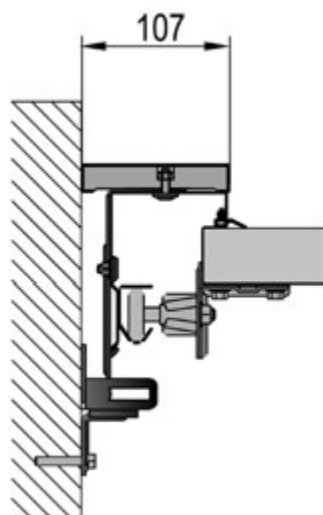
ET — глубина вхождения ворот внутрь помещения, мм

Тип монтажа	Минимальная высота перемычки (H), мм
Пружины растяжения	100
Высокий монтаж	500
Стандартный монтаж	210
Низкий монтаж	100

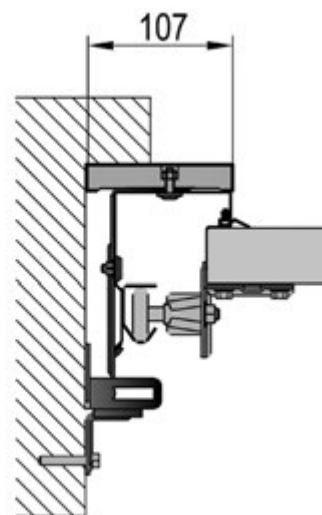
**ВСТРОЕННЫЙ МОНТАЖ ГАРАЖНЫХ ВОРОТ С ПРУЖИНАМИ РАСТЯЖЕНИЯ
И ГАРАЖНЫХ ВОРОТ НИЗКОГО ТИПА МОНТАЖА**



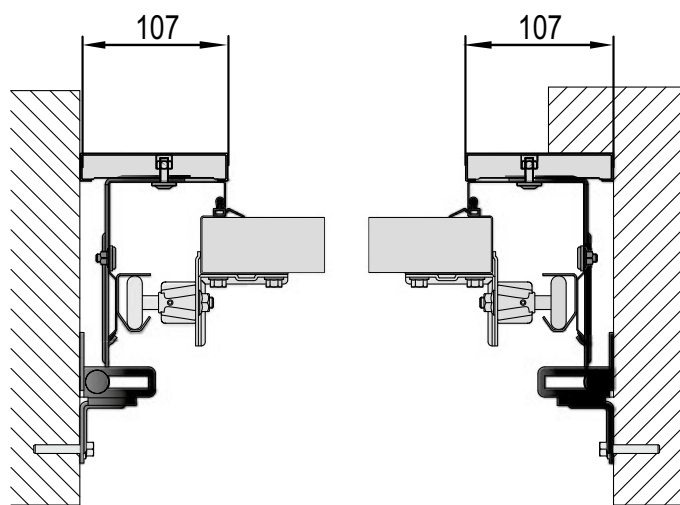
Монтаж перед проемом
Комплект арт. FWO145/145-40



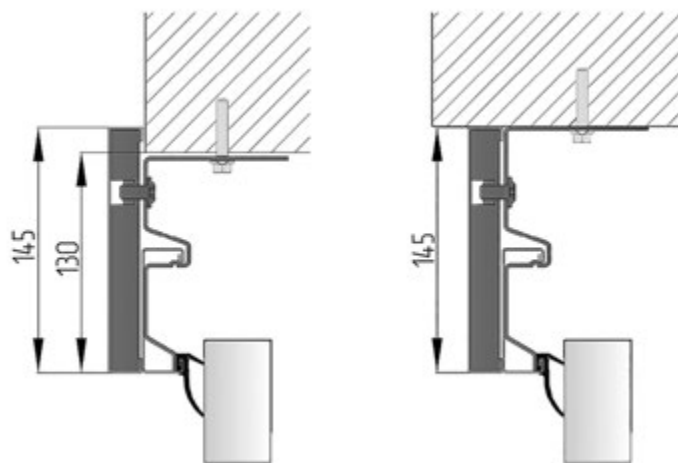
Монтаж в проеме
Комплект арт. FWO100/145-40



Монтаж за проемом
Комплект арт. FWO100/145-40



Комбинированный монтаж
Комплект арт. FWO100/145-40

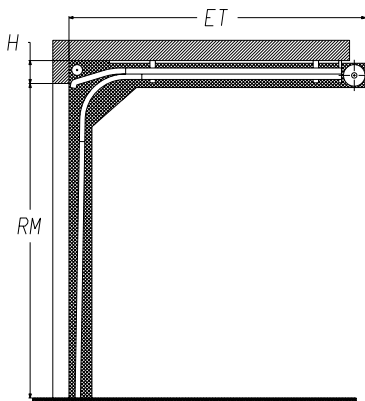


**Установка
декоративного нащельника**

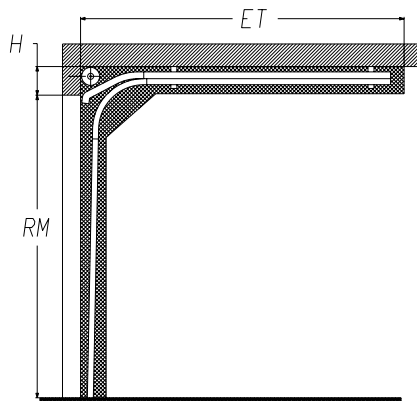
Размеры боковых заплечиков и верхней перемычки:

Боковые заплечики	0—107 мм
Верхняя перемычка	0—145 мм

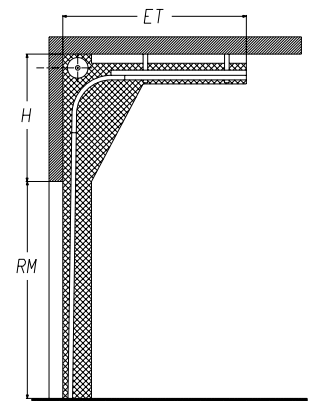
**ТИПЫ МОНТАЖА
ПРОМЫШЛЕННЫХ ВОРОТ PROTREND**



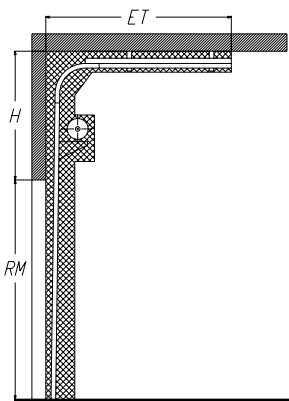
Низкий тип монтажа



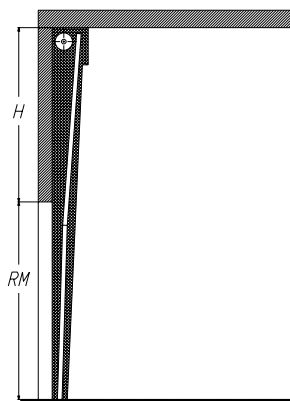
Стандартный тип монтажа



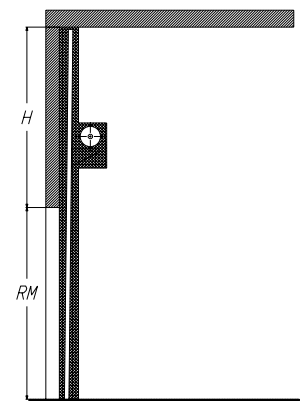
Высокий тип монтажа



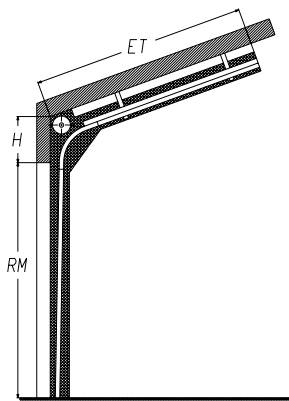
**Высокий тип монтажа
с нижним расположением вала**



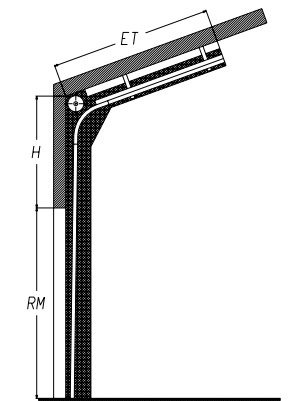
**Вертикальный тип монтажа
с верхним расположением вала**



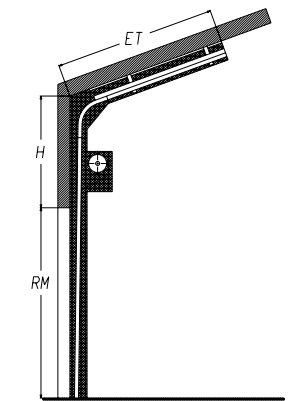
**Вертикальный тип монтажа
с нижним расположением вала**



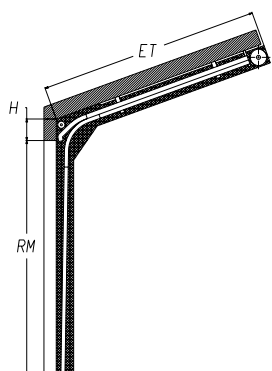
Наклонный тип монтажа



**Наклонный высокий тип монтажа
с верхним расположением вала**



**Наклонный высокий тип монтажа
с нижним расположением вала**



1.1

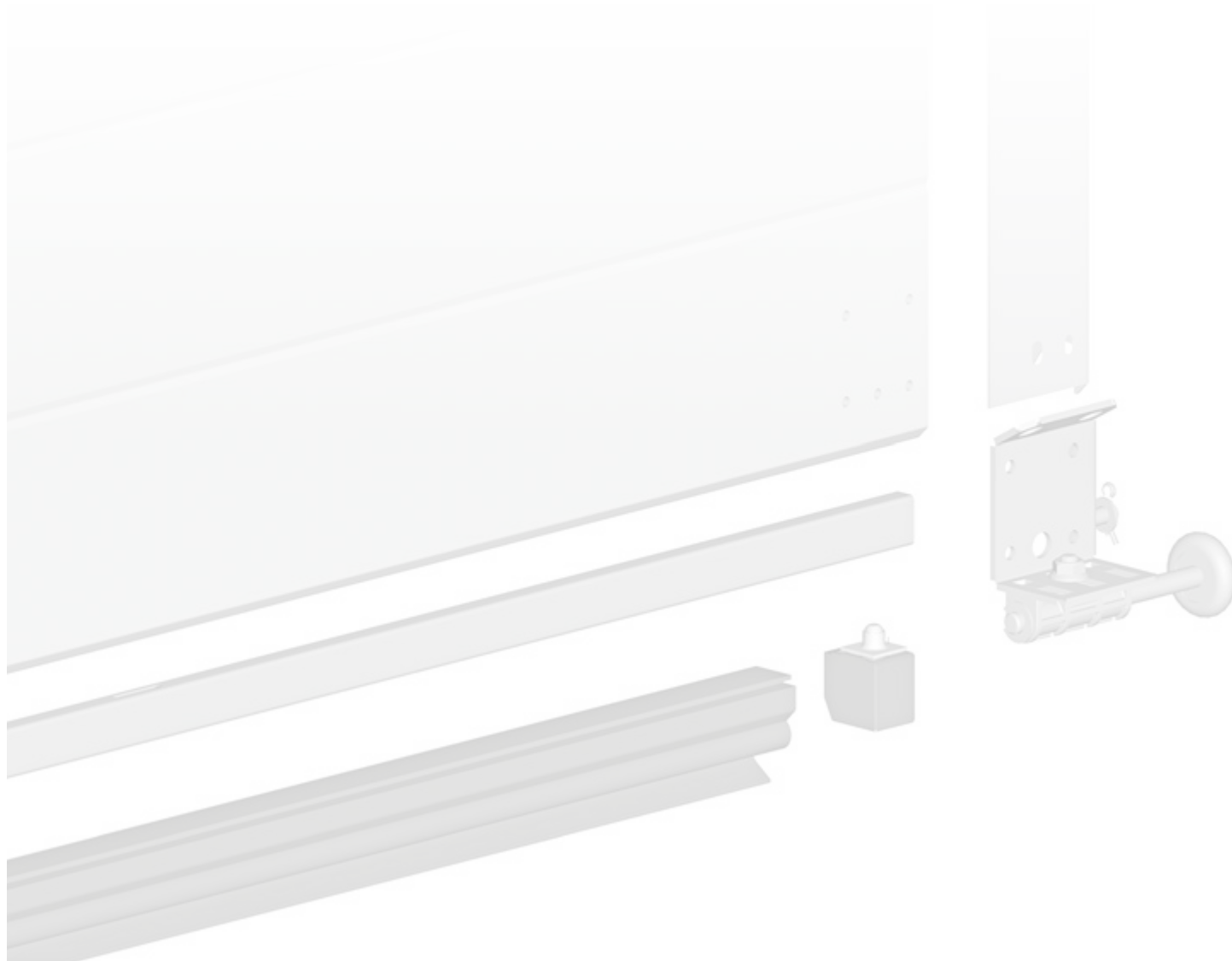
Наклонный низкий тип монтажа

H — высота перемычки, мм

RM — высота проема, мм

ET — глубина вхождения ворот внутрь помещения, мм

Тип монтажа	Минимальная высота перемычки (H), мм
Низкий монтаж	230
Стандартный монтаж	410
Высокий монтаж с верхним расположением вала	900
Высокий монтаж с нижним расположением вала	1795
Вертикальный монтаж с верхним расположением вала	RM+340
Вертикальный монтаж с нижним расположением вала	RM+340
Наклонный монтаж	490
Наклонный высокий монтаж с верхним расположением вала	900
Наклонный высокий монтаж с нижним расположением вала	1795
Наклонный низкий монтаж	275

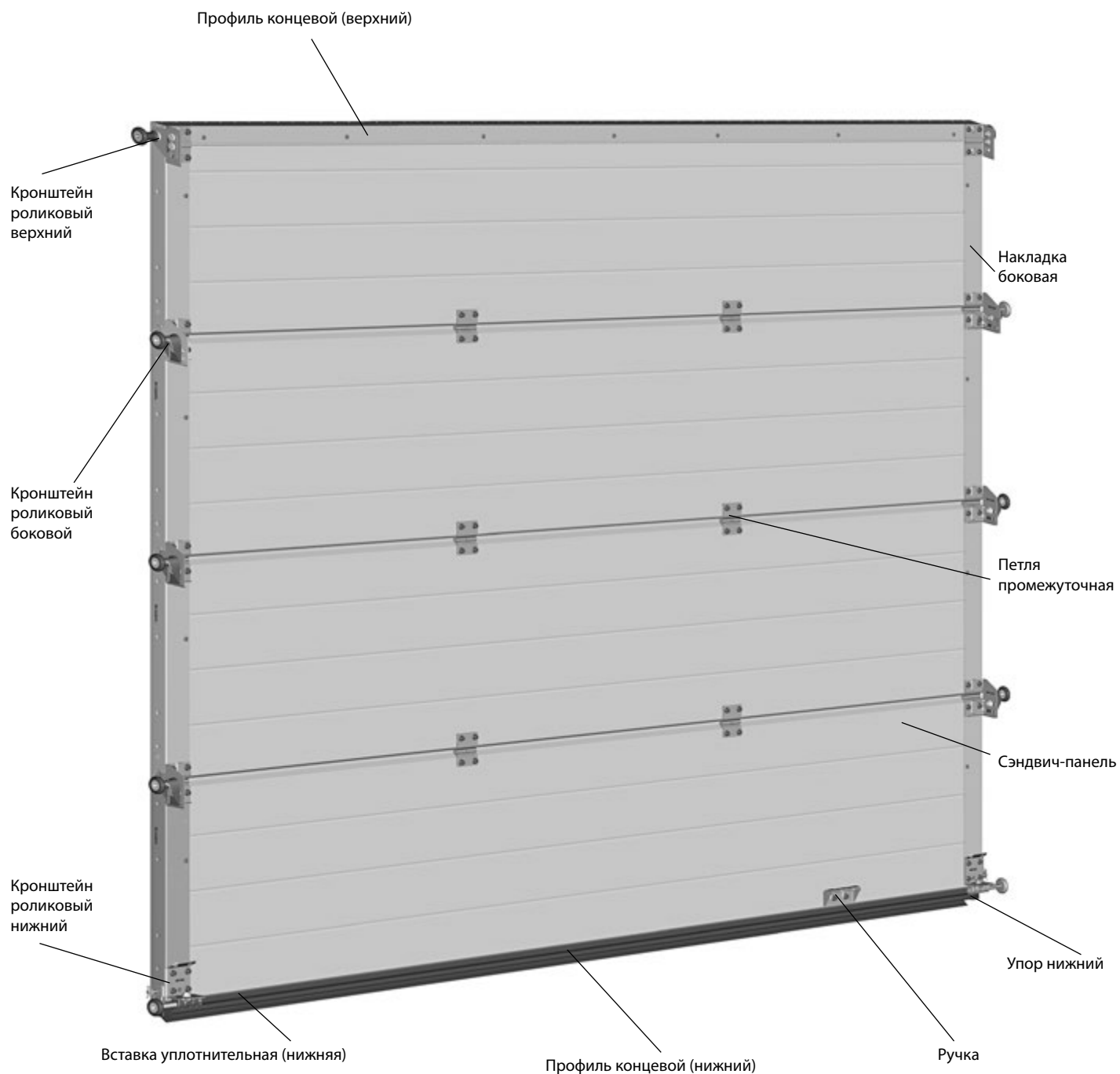


**ГАРАЖНЫЕ ВОРОТА TREND
ПРОМЫШЛЕННЫЕ ВОРОТА PROTREND**

ПОЛОТНО ВОРОТ

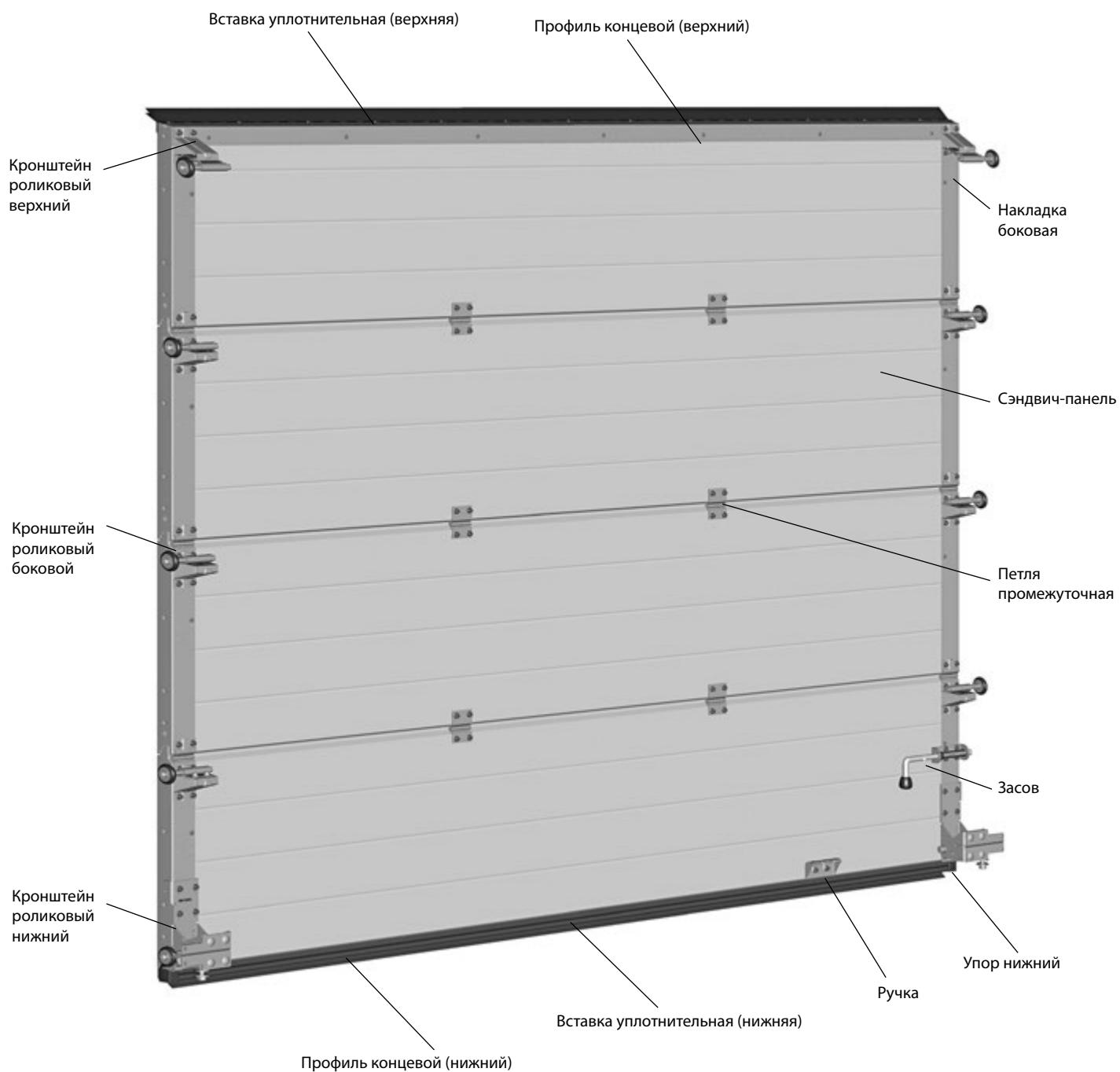
ТИПОВАЯ КОНСТРУКЦИЯ ПОЛОТНА

ГАРАЖНЫЕ ВОРОТА



1.2

ТИПОВАЯ КОНСТРУКЦИЯ ПОЛОТНА ПРОМЫШЛЕННЫЕ ВОРОТА



**КОНСТРУКЦИЯ СЭНДВИЧ-ПАНЕЛИ ТОЛЩИНОЙ 40 ММ
С ЗАЩИТОЙ ОТ ЗАЩЕМЛЕНИЯ ПАЛЬЦЕВ**

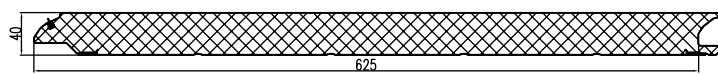
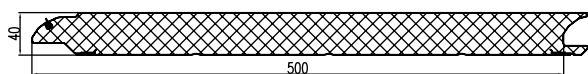
1.2



Полиуретановое покрытие 20—25 мкм
Грунт 14—16 мкм
Цинк 16 мкм
Сталь: • 0,4 мм для панелей с тиснением Woodgrain; • 0,5 мм для гладких панелей (Smooth)
Цинк 16 мкм
Адгезионный лак 12 мкм
Вспененный полиуретан

СЭНДВИЧ-ПАНЕЛИ С РИСУНКОМ «МИКРОВОЛНА»

СТРУКТУРА ПОВЕРХНОСТИ WOODGRAIN

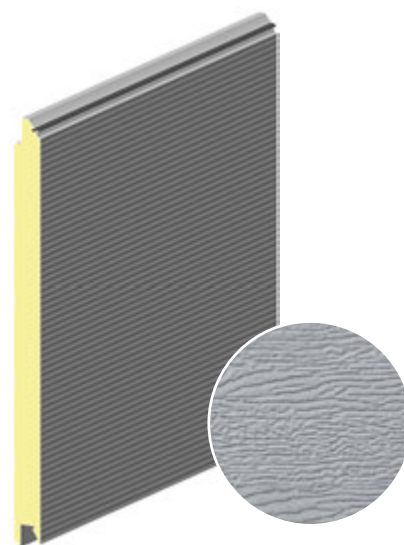


Панель воротная

Наружная сторона: структура поверхности woodgrain с рисунком «микроволна». Внутренняя сторона: структура поверхности woodgrain с горизонтальными полосами, цвет — бело-серый (близкий RAL 9002).

Высота панели, мм 500
Толщина панели, мм 40
Вес, кг/м 4,5
Единица измерения м

Артикул	Код	Цвет	Длина, м	Норма поставки, м
MW40.1.01-500	401043312	RAL 9016*	12,2	268,4
MW40.1.02-500	401043417	RAL 8014*		
MW40.1.03-500	401040811	RAL 9006*		
MW40.1.04-500	401040414	RAL 5010*		
MW40.1.12-500	401041313	RAL 3004*	9,2	202,4
MW40.1.09-500	401040921	RAL 6005*		
MW40.1.10-500	401040820	RAL 1015*		
MW40.1.14-500	401040928	ADS703		
MW40.1.20-500	401042019	RAL 8017*		
MW40.1.16-500	401041129	RAL 7016*		

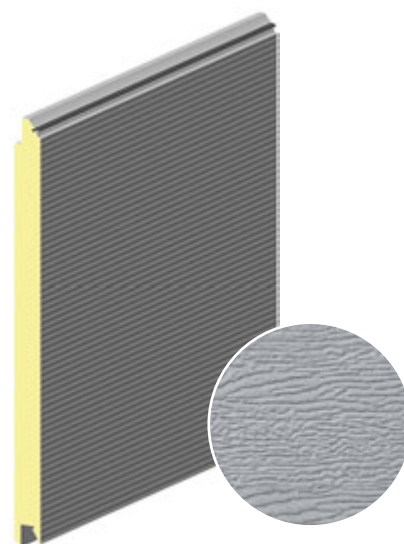


Панель воротная

Наружная сторона: структура поверхности woodgrain с рисунком «микроволна». Внутренняя сторона: структура поверхности woodgrain с горизонтальными полосами, цвет — бело-серый (близкий RAL 9002).

Высота панели, мм 625
Толщина панели, мм 40
Вес, кг/м 5,38
Единица измерения м

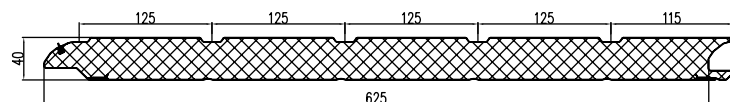
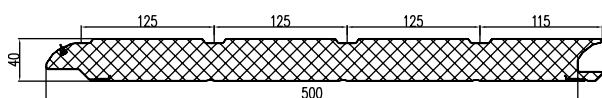
Артикул	Код	Цвет	Длина, м	Норма поставки, м
MW40.1.01-625	401090512	RAL 9016*	12,2	268,4
MW40.1.02-625	401090417	RAL 8014*		
MW40.1.03-625	401090611	RAL 9006*		
MW40.1.04-625	401090514	RAL 5010*		
MW40.1.12-625	401091013	RAL 3004*	9,2	202,4
MW40.1.09-625	401090521	RAL 6005*		
MW40.1.10-625	401090520	RAL 1015*		
MW40.1.14-625	401090428	ADS703		
MW40.1.20-625	401091619	RAL 8017*		
MW40.1.16-625	401090429	RAL 7016*		



* Указанные цвета имеют близкое соответствие шкале RAL.

СЭНДВИЧ-ПАНЕЛИ С РИСУНКОМ S-ГОФР

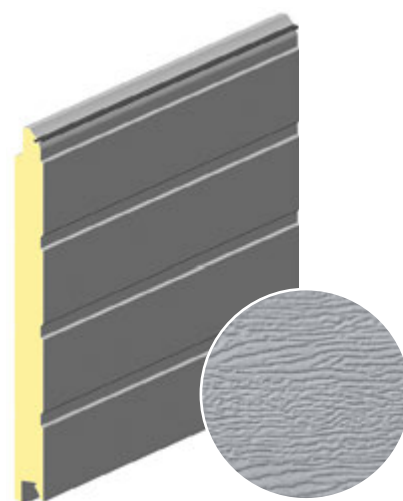
СТРУКТУРА ПОВЕРХНОСТИ WOODGRAIN


Панель воротная

Наружная сторона: структура поверхности woodgrain с рисунком S-гофр (узкий гофр). Внутренняя сторона: структура поверхности woodgrain с горизонтальными полосами, цвет — бело-серый (близкий RAL 9002).

Высота панели, мм	500
Толщина панели, мм	40
Вес, кг/м	4,53
Единица измерения	м

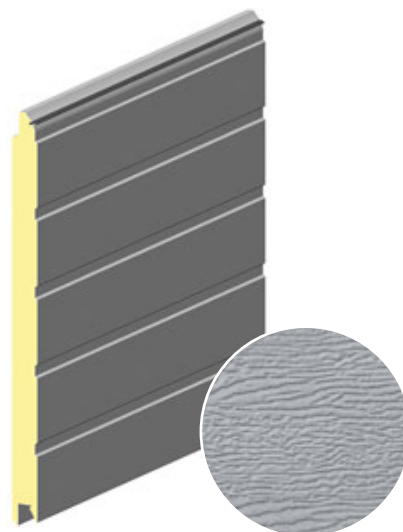
Артикул	Код	Цвет	Длина, м	Норма поставки, м
RS40.1.01-500	401043412	RAL 9016*	12,2	268,4
RS40.1.02-500	401043517	RAL 8014*		
RS40.1.03-500	401040911	RAL 9006*		
RS40.1.04-500	401040514	RAL 5010*		
RS40.1.12-500	401041213	RAL 3004*	9,2	202,4
RS40.1.09-500	401041021	RAL 6005*		
RS40.1.10-500	401040920	RAL 1015*		
RS40.1.14-500	401041028	ADS703		
RS40.1.20-500	401042119	RAL 8017*		
RS40.1.16-500	401041229	RAL 7016*		


Панель воротная

Наружная сторона: структура поверхности woodgrain с рисунком S-гофр (узкий гофр). Внутренняя сторона: структура поверхности woodgrain с горизонтальными полосами, цвет — бело-серый (близкий RAL 9002).

Высота панели, мм	625
Толщина панели, мм	40
Вес, кг/м	5,4
Единица измерения	м

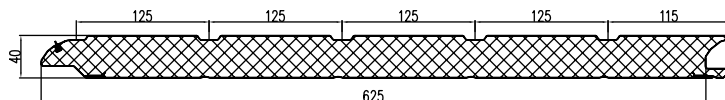
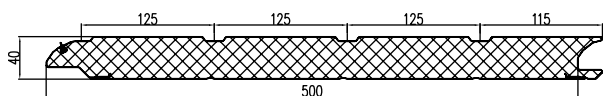
Артикул	Код	Цвет	Длина, м	Норма поставки, м
RS40.1.01-625	401090612	RAL 9016*	12,2	268,4
RS40.1.02-625	401090517	RAL 8014*		
RS40.1.03-625	401090711	RAL 9006*		
RS40.1.04-625	401090614	RAL 5010*		
RS40.1.12-625	401091113	RAL 3004*	9,2	202,4
RS40.1.09-625	401090621	RAL 6005*		
RS40.1.10-625	401090620	RAL 1015*		
RS40.1.14-625	401090528	ADS703		
RS40.1.20-625	401091719	RAL 8017*		
RS40.1.16-625	401090529	RAL 7016*		



* Указанные цвета имеют близкое соответствие шкале RAL.

СЭНДВИЧ-ПАНЕЛИ С РИСУНКОМ S-ГОФР

СТРУКТУРА ПОВЕРХНОСТИ «ГЛАДКАЯ»

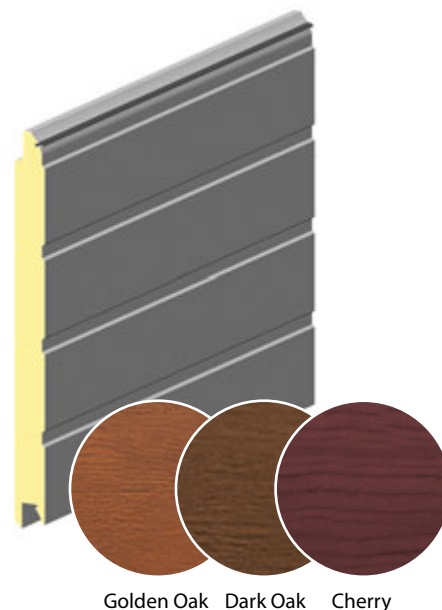


Панель воротная

Наружная сторона: гладкая с рисунком S-гофр (узкий гофр). Внутренняя сторона: структура поверхности woodgrain с горизонтальными полосами, цвет — бело-серый (близкий RAL 9002).

Высота панели, мм 500
Толщина панели, мм 40
Вес, кг/м 5,2
Единица измерения м

Артикул	Код	Цвет	Длина, м	Норма поставки, м
RS40.0.05-500	401043705	Golden Oak	9,2	202,4
RS40.0.06-500	401044806	Dark Oak		
RS40.0.07-500	401041307	Cherry		

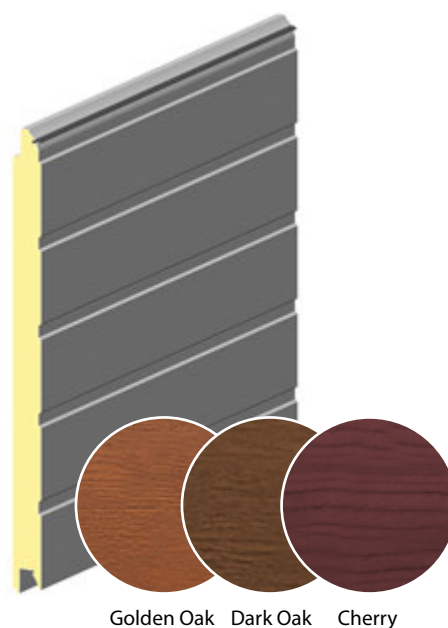


Панель воротная

Наружная сторона: гладкая с рисунком S-гофр (узкий гофр). Внутренняя сторона: структура поверхности woodgrain с горизонтальными полосами, цвет — бело-серый (близкий RAL 9002).

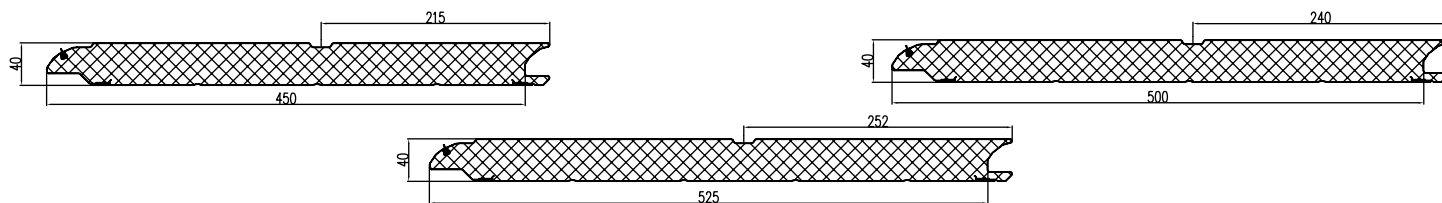
Высота панели, мм 625
Толщина панели, мм 40
Вес, кг/м 6,24
Единица измерения м

Артикул	Код	Цвет	Длина, м	Норма поставки, м
RS40.0.05-625	401090505	Golden Oak	9,2	202,4
RS40.0.06-625	401090506	Dark Oak		
RS40.0.07-625	401090607	Cherry		



СЭНДВИЧ-ПАНЕЛИ С РИСУНКОМ М-ГОФР

СТРУКТУРА ПОВЕРХНОСТИ WOODGRAIN

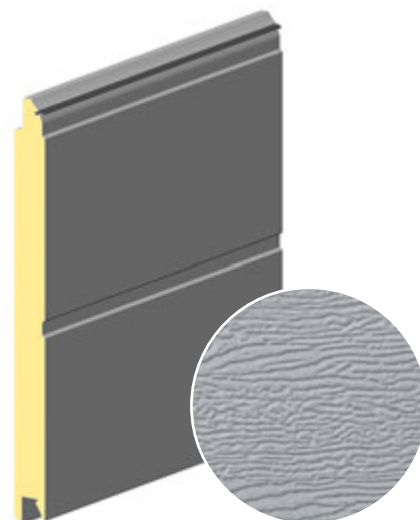


Панель воротная

Наружная сторона: структура поверхности woodgrain с рисунком М-гофр (средний гофр). Внутренняя сторона: структура поверхности woodgrain с горизонтальными полосами, цвет — бело-серый (близкий RAL 9002).

Толщина панели, мм 40
Единица измерения м

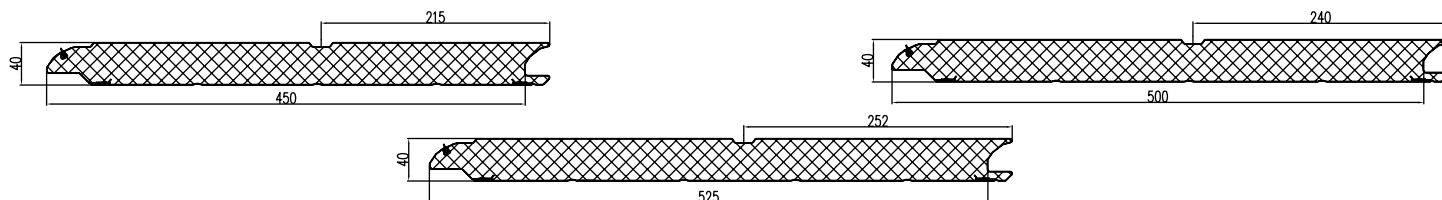
Артикул	Код	Цвет*	Высота панели, мм	Вес, кг/м	Длина, м	Норма поставки, м
RM40.1.01-450	401022012	RAL 9016	450	4,1	9,2	202,4
RM40.1.01-500	401043512		500	5,1		
RM40.1.01-525	401051612		525	5,3		
RM40.1.02-450	401022917	RAL 8014	450	4,1	9,2	202,4
RM40.1.02-500	401043617		500	5,1		



1.2

СЭНДВИЧ-ПАНЕЛИ С РИСУНКОМ М-ГОФР

СТРУКТУРА ПОВЕРХНОСТИ «ГЛАДКАЯ»

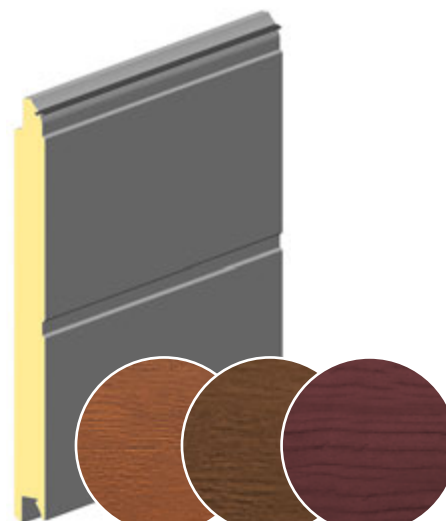


Панель воротная

Наружная сторона: гладкая с рисунком М-гофр (средний гофр). Внутренняя сторона: структура поверхности woodgrain с горизонтальными полосами, цвет — бело-серый (близкий RAL 9002).

Толщина панели, мм 40
Единица измерения м

Артикул	Код	Цвет	Высота панели, мм	Вес, кг/м	Длина, м	Норма поставки, м
RM40.0.01-450	401022112	RAL 9016*	450	4,7	9,2	202,4
RM40.0.01-500	401043612		500	5,1		
RM40.0.01-525	401051712		525	5,3		
RM40.0.16-450	401020629	RAL 7016*	450	4,7	9,2	202,4
RM40.0.16-500	401041329		500	5,1		
RM40.0.16-525	401050719		525	5,3		
RM40.0.05-450	401023305	Golden Oak	450	4,8	9,2	202,4
RM40.0.05-500	401043805		500	5,2		
RM40.0.06-450	401024306	Dark Oak	450	4,8		
RM40.0.06-500	401044906		500	5,2		
RM40.0.07-450	401020707	Cherry	450	4,8		
RM40.0.07-500	401041407		500	5,2		

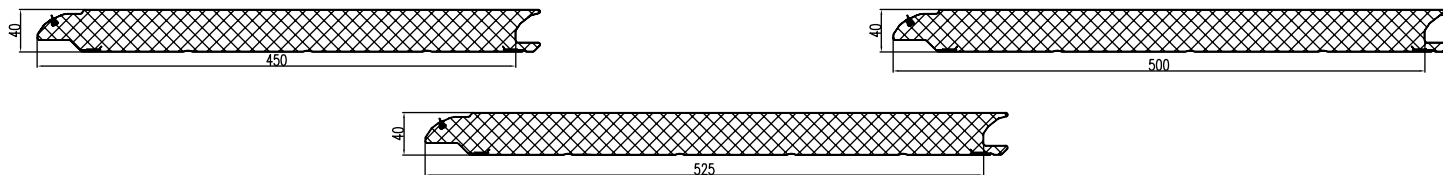


Golden Oak Dark Oak Cherry

* Указанные цвета имеют близкое соответствие шкале RAL.

СЭНДВИЧ-ПАНЕЛИ С РИСУНКОМ L-ГОФР

СТРУКТУРА ПОВЕРХНОСТИ WOODGRAIN

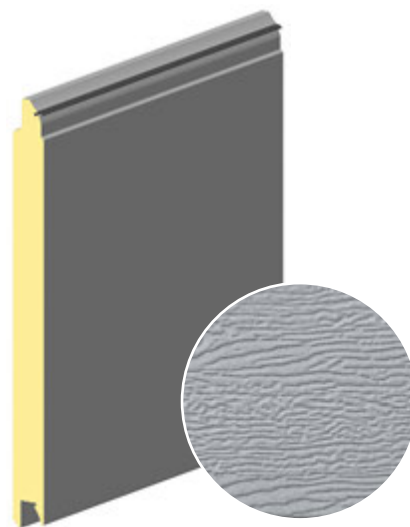


Панель воротная

Наружная сторона: структура поверхности woodgrain с рисунком L-гофр (широкий гофр). Внутренняя сторона: структура поверхности woodgrain с горизонтальными полосами, цвет — бело-серый (близкий RAL 9002).

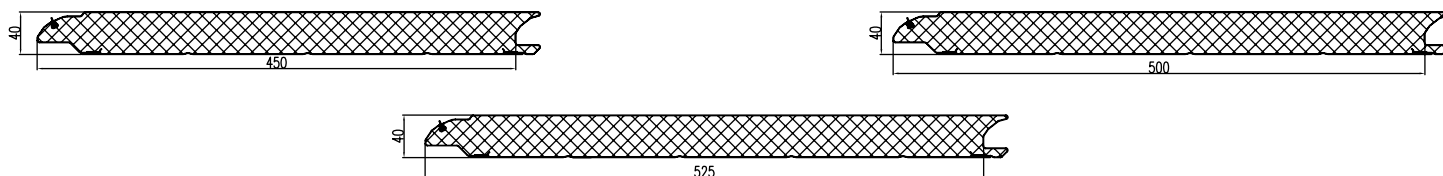
Толщина панели, мм 40
Единица измерения м

Артикул	Код	Цвет*	Высота панели, мм	Вес, кг/м	Длина, м	Норма поставки, м
RL40.1.01-450	401022212	RAL 9016	450	4,0	9,2	202,4
RL40.1.01-500	401043712		500	4,5		
RL40.1.01-525	401051812		525	5,3		
RL40.1.02-450	401023017	RAL 8014	450	4,0	9,2	202,4
RL40.1.02-500	401043717		500	4,5		



СЭНДВИЧ-ПАНЕЛИ С РИСУНКОМ L-ГОФР

СТРУКТУРА ПОВЕРХНОСТИ «ГЛАДКАЯ»



Панель воротная

Наружная сторона: гладкая с рисунком L-гофр (широкий гофр). Внутренняя сторона: структура поверхности woodgrain с горизонтальными полосами, цвет — бело-серый (близкий RAL 9002).

Толщина панели, мм 40
Единица измерения м

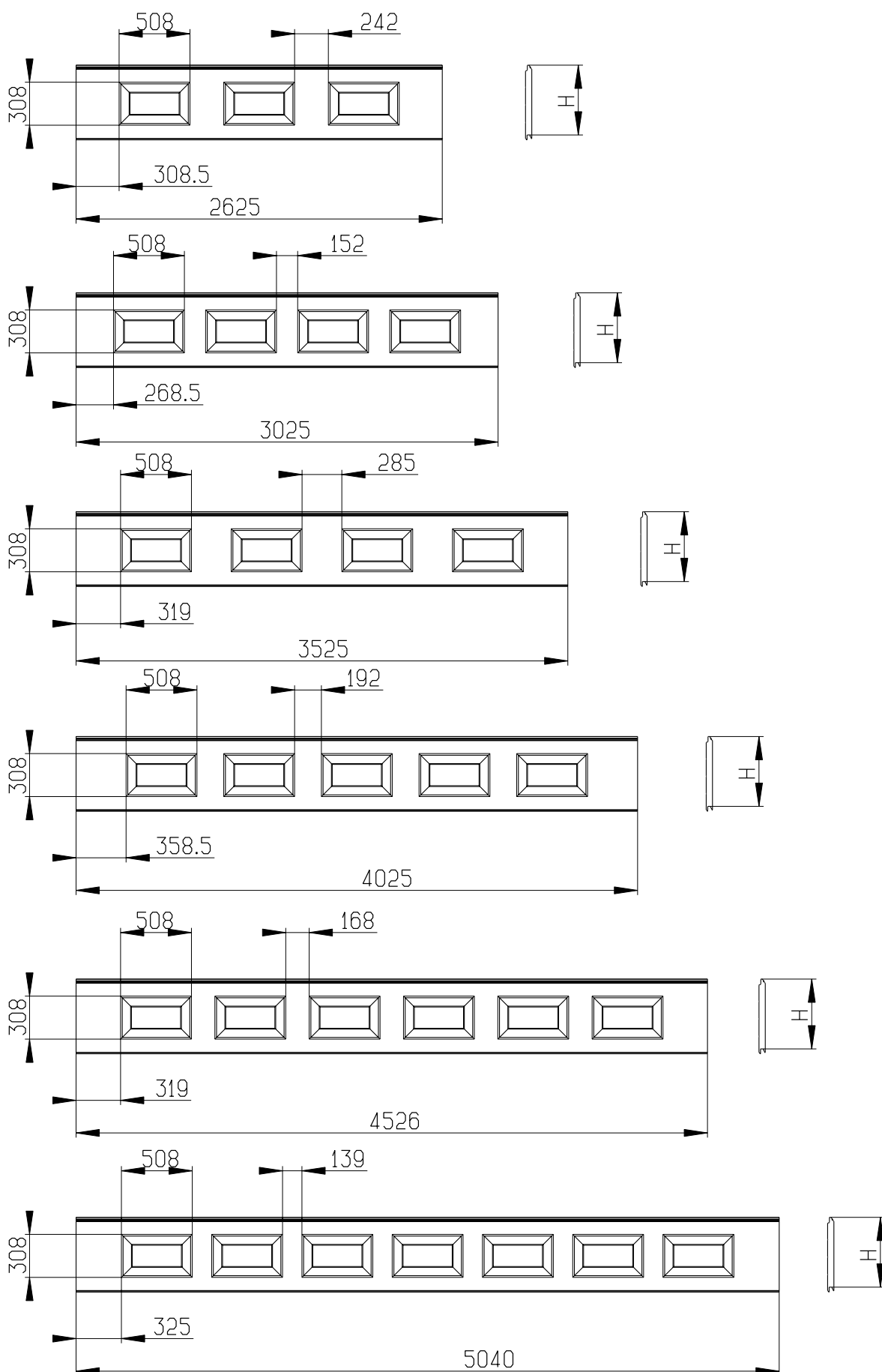
Артикул	Код	Цвет	Высота панели, мм	Вес, кг/м	Длина, м	Норма поставки, м
RL40.0.01-450	401022312	RAL 9016*	450	4,7	9,2	202,4
RL40.0.01-500	401043812		500	5,1		
RL40.0.01-525	401051912		525	5,3		
RL40.0.14-450	401020128	ADS703	450	4,7	9,2	202,4
RL40.0.14-500	401041128		500	5,1		
RL40.0.16-450	401020729	RAL 7016*	450	4,7	12,2	305,0
RL40.0.16-500	401041429		500	5,1		
RL40.0.16-525	401052012		525	5,3		
RL40.0.05-450	401023405	Golden Oak	450	4,7	9,2	202,4
RL40.0.05-500	401043905		500	5,1		
RL40.0.06-450	401024406	Dark Oak	450	4,7	9,2	202,4
RL40.0.06-500	401045006		500	5,1		
RL40.0.07-450	401020807	Cherry	450	4,7	9,2	202,4
RL40.0.07-500	401041507		500	5,1		



Golden Oak Dark Oak Cherry

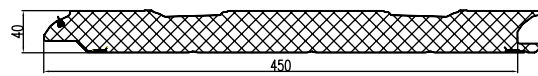
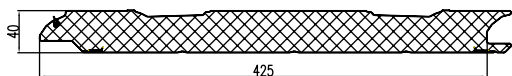
* Указанные цвета имеют близкое соответствие шкале RAL.

СХЕМАТИЧЕСКОЕ ИЗОБРАЖЕНИЕ СЭНДВИЧ-ПАНЕЛИ С РИСУНОК «ФИЛЕНКА»



СЭНДВИЧ-ПАНЕЛИ С РИСУНКОМ «ФИЛЕНКА»

СТРУКТУРА ПОВЕРХНОСТИ WOODGRAIN

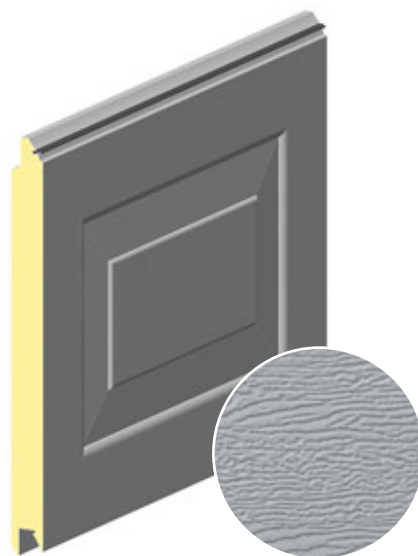


Панель воротная

Наружная сторона: структура поверхности woodgrain с рисунком «филенка». Внутренняя сторона: структура поверхности woodgrain с горизонтальными полосами, цвет — бело-серый (близкий RAL 9002).

Высота панели, мм	425
Толщина панели, мм	40
Вес, кг/м	4,45
Единица измерения	м

Артикул	Код	Цвет*	Длина, м	Норма поставки, м
СТ40.1.01-425-2625	401011412	RAL 9016	2,625	57,75
СТ40.1.01-425-3025	401011512		3,025	66,55
СТ40.1.01-425-3525	401011612		3,525	77,55
СТ40.1.01-425-4025	401011112		4,025	88,55
СТ40.1.01-425-4526	401011212		4,526	99,55
СТ40.1.01-425-5040	401011312		5,040	110,88
СТ40.1.02-425-2625	401012717	RAL 8014	2,625	57,75
СТ40.1.02-425-3025	401012817		3,025	66,55
СТ40.1.02-425-3525	401012917		3,525	77,55
СТ40.1.02-425-4025	401012417		4,025	88,55
СТ40.1.02-425-4526	401012517		4,526	99,55
СТ40.1.02-425-5040	401012617		5,040	110,88

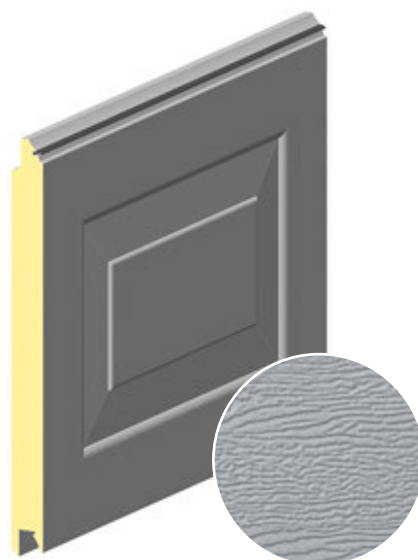


Панель воротная

Наружная сторона: структура поверхности woodgrain с рисунком «филенка». Внутренняя сторона: структура поверхности woodgrain с горизонтальными полосами, цвет — бело-серый (близкий RAL 9002).

Высота панели, мм	450
Толщина панели, мм	40
Вес, кг/м	4,65
Единица измерения	м

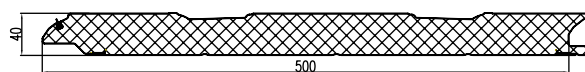
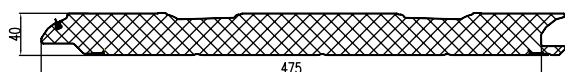
Артикул	Код	Цвет*	Длина, м	Норма поставки, м
СТ40.1.01-450-2625	401022712	RAL 9016	2,625	57,75
СТ40.1.01-450-3025	401022812		3,025	66,55
СТ40.1.01-450-3525	401022912		3,525	77,55
СТ40.1.01-450-4025	401022412		4,025	88,55
СТ40.1.01-450-4526	401022512		4,526	99,55
СТ40.1.01-450-5040	401022612		5,040	110,88
СТ40.1.02-450-2625	401023417	RAL 8014	2,625	57,75
СТ40.1.02-450-3025	401023517		3,025	66,55
СТ40.1.02-450-3525	401023617		3,525	77,55
СТ40.1.02-450-4025	401023117		4,025	88,55
СТ40.1.02-450-4526	401023217		4,526	99,55
СТ40.1.02-450-5040	401023317		5,040	110,88



* Указанные цвета имеют близкое соответствие шкале RAL.

СЭНДВИЧ-ПАНЕЛИ С РИСУНКОМ «ФИЛЕНКА»

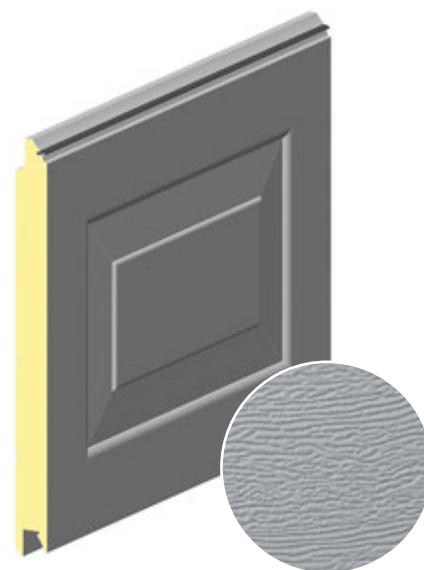
СТРУКТУРА ПОВЕРХНОСТИ WOODGRAIN


Панель воротная

Наружная сторона: структура поверхности woodgrain с рисунком «филенка». Внутренняя сторона: структура поверхности woodgrain с горизонтальными полосами, цвет — бело-серый (близкий RAL 9002).

Высота панели, мм	500
Толщина панели, мм	40
Вес, кг/м	5,05
Единица измерения	м

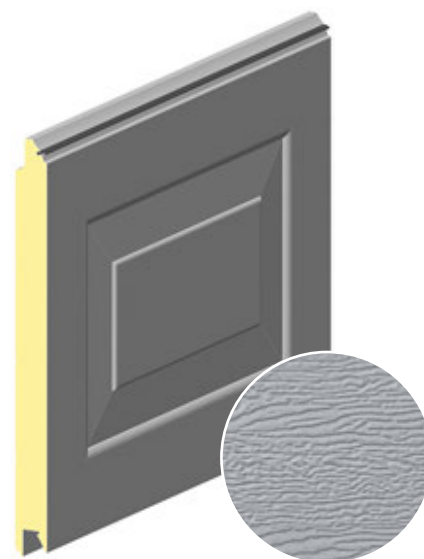
Артикул	Код	Цвет*	Длина, м	Норма поставки, м
СТ40.1.01-475-2625	401031212	RAL 9016	2,625	57,75
СТ40.1.01-475-3025	401031312		3,025	66,55
СТ40.1.01-475-3525	401031412		3,525	77,55
СТ40.1.01-475-4025	401030912		4,025	88,55
СТ40.1.01-475-4526	401031012		4,526	99,55
СТ40.1.01-475-5040	401031112		5,040	110,88
СТ40.1.02-475-2625	401032417	RAL 8014	2,625	57,75
СТ40.1.02-475-3025	401032517		3,025	66,55
СТ40.1.02-475-3525	401032617		3,525	77,55
СТ40.1.02-475-4025	401032117		4,025	88,55
СТ40.1.02-475-4526	401032217		4,526	99,55
СТ40.1.02-475-5040	401032317		5,040	110,88


Панель воротная

Наружная сторона: структура поверхности woodgrain с рисунком «филенка». Внутренняя сторона: структура поверхности woodgrain с горизонтальными полосами, цвет — бело-серый (близкий RAL 9002).

Высота панели, мм	500
Толщина панели, мм	40
Вес, кг/м	5,05
Единица измерения	м

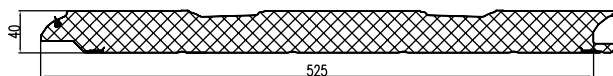
Артикул	Код	Цвет*	Длина, м	Норма поставки, м
СТ40.1.01-500-2625	401044212	RAL 9016	2,625	57,75
СТ40.1.01-500-3025	401044312		3,025	66,55
СТ40.1.01-500-3525	401044412		3,525	77,55
СТ40.1.01-500-4025	401043912		4,025	88,55
СТ40.1.01-500-4526	401044012		4,526	99,55
СТ40.1.01-500-5040	401044112		5,040	110,88
СТ40.1.02-500-2625	401044117	RAL 8014	2,625	57,75
СТ40.1.02-500-3025	401044217		3,025	66,55
СТ40.1.02-500-3525	401044317		3,525	77,55
СТ40.1.02-500-4025	401043817		4,025	88,55
СТ40.1.02-500-4526	401043917		4,526	99,55
СТ40.1.02-500-5040	401044017		5,040	110,88



* Указанные цвета имеют близкое соответствие шкале RAL.

СЭНДВИЧ-ПАНЕЛИ С РИСУНКОМ «ФИЛЕНКА»

СТРУКТУРА ПОВЕРХНОСТИ WOODGRAIN

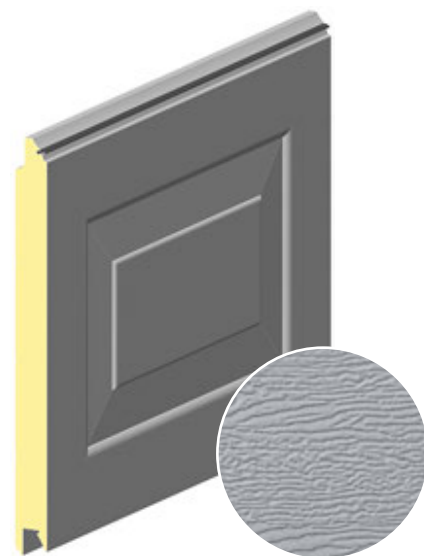


Панель воротная

Наружная сторона: структура поверхности woodgrain с рисунком «филенка». Внутренняя сторона: структура поверхности woodgrain с горизонтальными полосами, цвет — бело-серый (близкий RAL 9002).

Высота панели, мм 525
Толщина панели, мм 40
Вес, кг/м 5,25
Единица измерения м

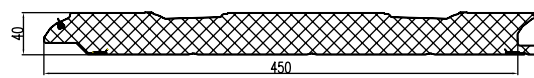
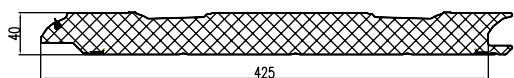
Артикул	Код	Цвет*	Длина, м	Норма поставки, м
СТ40.1.01-525-2625	401051212	RAL 9016	2,625	57,75
СТ40.1.01-525-3025	401051312		3,025	66,55
СТ40.1.01-525-3525	401051412		3,525	77,55
СТ40.1.01-525-4025	401050912		4,025	88,55
СТ40.1.01-525-4526	401051012		4,526	99,55
СТ40.1.01-525-5040	401051112		5,040	110,88
СТ40.1.02-525-2625	401052417	RAL 8014	2,625	57,75
СТ40.1.02-525-3025	401052517		3,025	66,55
СТ40.1.02-525-3525	401052617		3,525	77,55
СТ40.1.02-525-4025	401052117		4,025	88,55
СТ40.1.02-525-4526	401052217		4,526	99,55
СТ40.1.02-525-5040	401052317		5,040	110,88



* Указанные цвета имеют близкое соответствие шкале RAL.

СЭНДВИЧ-ПАНЕЛИ С РИСУНКОМ «ФИЛЕНКА»

СТРУКТУРА ПОВЕРХНОСТИ WOODGRAIN



Панель воротная

Наружная сторона: структура поверхности woodgrain с рисунком «филенка». Внутренняя сторона: структура поверхности woodgrain с горизонтальными полосами, цвет — бело-серый (близкий RAL 9002).

Высота панели, мм	425
Толщина панели, мм	40
Вес, кг/м	4,55
Единица измерения	м

Артикул	Код	Цвет	Длина, м	Норма поставки, м
СТ40.1.05-425-2625	401013105	Golden Oak	2,625	57,75
СТ40.1.05-425-3025	401013205		3,025	66,55
СТ40.1.05-425-3525	401013305		3,525	77,55
СТ40.1.05-425-4025	401012805		4,025	88,55
СТ40.1.05-425-4526	401012905		4,526	99,55
СТ40.1.05-425-5040	401013005		5,040	110,88
СТ40.1.06-425-2625	401013606	Dark Oak	2,625	57,75
СТ40.1.06-425-3025	401013706		3,025	66,55
СТ40.1.06-425-3525	401013806		3,525	77,55
СТ40.1.06-425-4025	401013306		4,025	88,55
СТ40.1.06-425-4526	401013406		4,526	99,55
СТ40.1.06-425-5040	401013506		5,040	110,88



Golden Oak Dark Oak

Панель воротная

Наружная сторона: структура поверхности woodgrain с рисунком «филенка». Внутренняя сторона: структура поверхности woodgrain с горизонтальными полосами, цвет — бело-серый (близкий RAL 9002).

Высота панели, мм	450
Толщина панели, мм	40
Вес, кг/м	4,76
Единица измерения	м

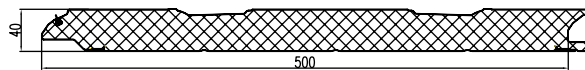
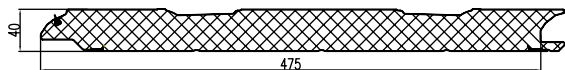
Артикул	Код	Цвет	Длина, м	Норма поставки, м
СТ40.1.05-450-2625	401023805	Golden Oak	2,625	57,75
СТ40.1.05-450-3025	401023905		3,025	66,55
СТ40.1.05-450-3525	401024005		3,525	77,55
СТ40.1.05-450-4025	401023505		4,025	88,55
СТ40.1.05-450-4526	401023605		4,526	99,55
СТ40.1.05-450-5040	401023705		5,040	110,88
СТ40.1.06-450-2625	401024806	Dark Oak	2,625	57,75
СТ40.1.06-450-3025	401024906		3,025	66,55
СТ40.1.06-450-3525	401025006		3,525	77,55
СТ40.1.06-450-4025	401024506		4,025	88,55
СТ40.1.06-450-4526	401024606		4,526	99,55
СТ40.1.06-450-5040	401024706		5,040	110,88



Golden Oak Dark Oak

СЭНДВИЧ-ПАНЕЛИ С РИСУНКОМ «ФИЛЕНКА»

СТРУКТУРА ПОВЕРХНОСТИ WOODGRAIN



Панель воротная

Наружная сторона: структура поверхности woodgrain с рисунком «филенка». Внутренняя сторона: структура поверхности woodgrain с горизонтальными полосами, цвет — бело-серый (близкий RAL 9002).

Высота панели, мм 475
Толщина панели, мм 40
Вес, кг/м 4,96
Единица измерения м

Артикул	Код	Цвет	Длина, м	Норма поставки, м
СТ40.1.05-475-2625	401032505	Golden Oak	2,625	57,75
СТ40.1.05-475-3025	401032605		3,025	66,55
СТ40.1.05-475-3525	401032705		3,525	77,55
СТ40.1.05-475-4025	401032205		4,025	88,55
СТ40.1.05-475-4526	401032305		4,526	99,55
СТ40.1.05-475-5040	401032405		5,040	110,88
СТ40.1.06-475-2625	401033806	Dark Oak	2,625	57,75
СТ40.1.06-475-3025	401033906		3,025	66,55
СТ40.1.06-475-3525	401034006		3,525	77,55
СТ40.1.06-475-4025	401033506		4,025	88,55
СТ40.1.06-475-4526	401033606		4,526	99,55
СТ40.1.06-475-5040	401033706		5,040	110,88



Golden Oak Dark Oak

Панель воротная

Наружная сторона: структура поверхности woodgrain с рисунком «филенка». Внутренняя сторона: структура поверхности woodgrain с горизонтальными полосами, цвет — бело-серый (близкий RAL 9002).

Высота панели, мм 500
Толщина панели, мм 40
Вес, кг/м 5,16
Единица измерения м

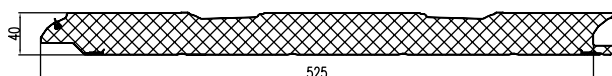
Артикул	Код	Цвет	Длина, м	Норма поставки, м
СТ40.1.05-500-2625	401044305	Golden Oak	2,625	57,75
СТ40.1.05-500-3025	401044405		3,025	66,55
СТ40.1.05-500-3525	401044505		3,525	77,55
СТ40.1.05-500-4025	401044005		4,025	88,55
СТ40.1.05-500-4526	401044105		4,526	99,55
СТ40.1.05-500-5040	401044205		5,040	110,88
СТ40.1.06-500-2625	401045406	Dark Oak	2,625	57,75
СТ40.1.06-500-3025	401045506		3,025	66,55
СТ40.1.06-500-3525	401045606		3,525	77,55
СТ40.1.06-500-4025	401045106		4,025	88,55
СТ40.1.06-500-4526	401045206		4,526	99,55
СТ40.1.06-500-5040	401045306		5,040	110,88



Golden Oak Dark Oak

СЭНДВИЧ-ПАНЕЛИ С РИСУНКОМ «ФИЛЕНКА»

СТРУКТУРА ПОВЕРХНОСТИ WOODGRAIN



Панель воротная

Наружная сторона: структура поверхности woodgrain с рисунком «филенка». Внутренняя сторона: структура поверхности woodgrain с горизонтальными полосами, цвет — бело-серый (близкий RAL 9002).

Высота панели, мм	525
Толщина панели, мм	40
Вес, кг/м	5,37
Единица измерения	м

Артикул	Код	Цвет	Длина, м	Норма поставки, м
СТ40.1.05-525-2625	401052805	Golden Oak	2,625	57,75
СТ40.1.05-525-3025	401052905		3,025	66,55
СТ40.1.05-525-3525	401053005		3,525	77,55
СТ40.1.05-525-4025	401052505		4,025	88,55
СТ40.1.05-525-4526	401052605		4,526	99,55
СТ40.1.05-525-5040	401052705		5,040	110,88
СТ40.1.06-525-2625	401053406	Dark Oak	2,625	57,75
СТ40.1.06-525-3025	401053506		3,025	66,55
СТ40.1.06-525-3525	401053606		3,525	77,55
СТ40.1.06-525-4025	401053106		4,025	88,55
СТ40.1.06-525-4526	401053206		4,526	99,55
СТ40.1.06-525-5040	401053306		5,040	110,88



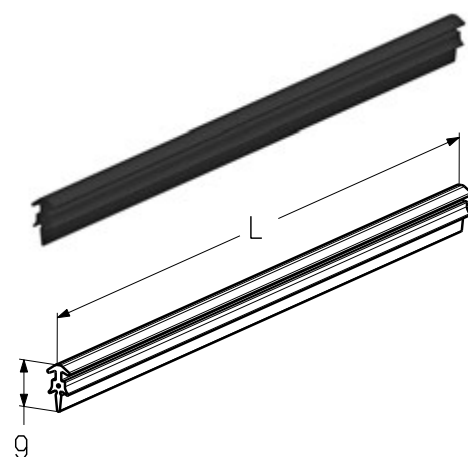
Golden Oak Dark Oak

Вставка уплотнительная

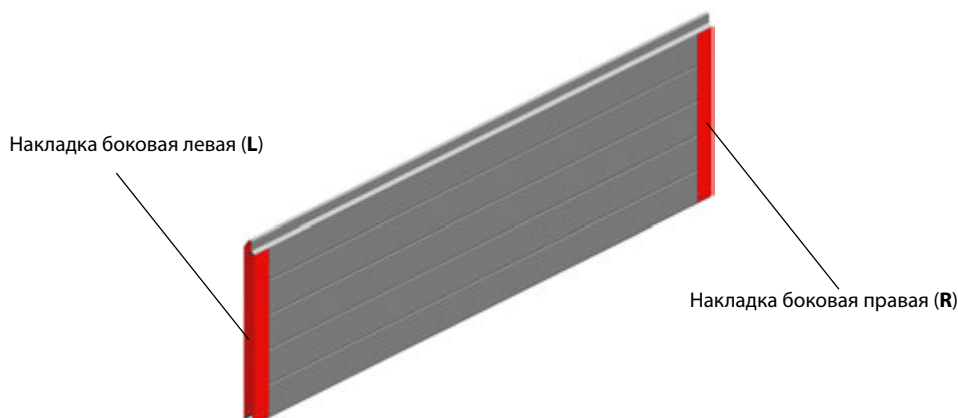
Предназначена для установки совместно с сэндвич-панелями всех типов.

Материал	EPDM
Вес, кг/м	0,13
Единица измерения	м
Норма поставки, м	2000

Артикул	Код
RSP16	401530600



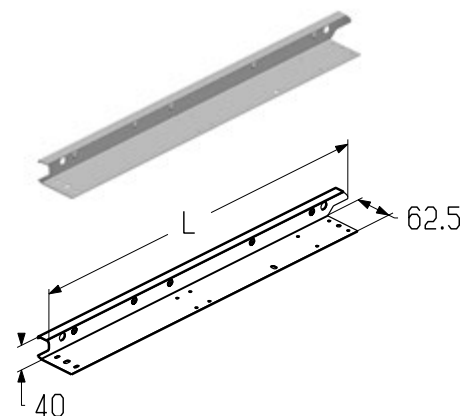
УСТАНОВКА НАКЛАДОК БОКОВЫХ



Накладка боковая

Предназначена для установки на торцы сэндвич-панели. Используется в гаражных и промышленных воротах шириной до 5000 мм.

Материал оцинкованная сталь
 Покрытие полимерное
 Цвет бело-серый (близкий RAL 9002)
 Толщина, мм 1
 Единица измерения шт.

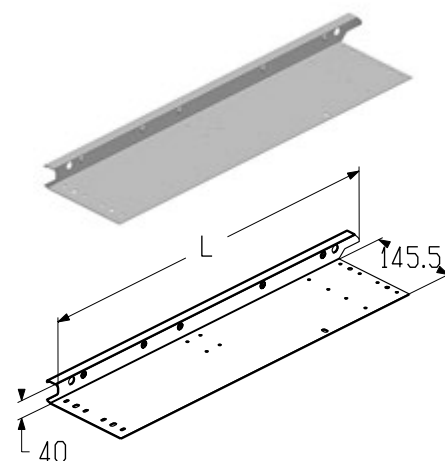


Артикул	Код	Длина (L), мм	Применение	Вес, кг/шт.	Норма поставки, шт.
ЕС-40.425L	401310310	425	Левая	0,38	42
ЕС-40.425R	401310410		Правая		
ЕС-40.450L	401320510	450	Левая	0,40	
ЕС-40.450R	401320610		Правая		
ЕС-40.475L	401330310	475	Левая	0,43	
ЕС-40.475R	401330410		Правая		
ЕС-40.500L	401340710	500	Левая	0,45	
ЕС-40.500R	401340810		Правая		
ЕС-40.525L	401350310	525	Левая	0,47	
ЕС-40.525R	401350410		Правая		
ЕС-40.625L	401390710	625	Левая	0,57	
ЕС-40.625R	401390810		Правая		

Накладка боковая

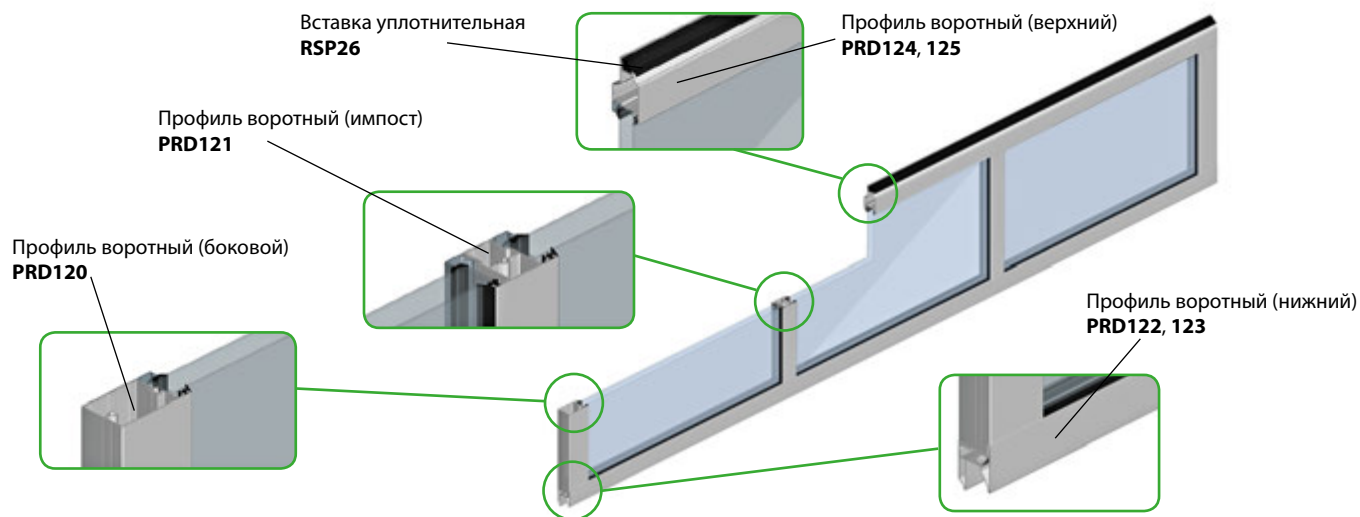
Предназначена для установки на торцы сэндвич-панели. Используется в гаражных и промышленных воротах шириной свыше 5000 мм.

Материал оцинкованная сталь
 Покрытие полимерное
 Цвет бело-серый (близкий RAL 9002)
 Толщина, мм 1
 Единица измерения шт.



Артикул	Код	Длина (L), мм	Применение	Вес, кг/шт.	Норма поставки, шт.
ЕС-40.450DL	401320710	450	Левая	0,67	36
ЕС-40.450DR	401320810		Правая		
ЕС-40.500DL	401340910	500	Левая	0,75	
ЕС-40.500DR	401341010		Правая		
ЕС-40.625DL	401390910	625	Левая	0,95	33
ЕС-40.625DR	401391010		Правая		

ТИПОВАЯ КОНСТРУКЦИЯ ПАНОРАМНОЙ ПАНЕЛИ ALUTREND



1.2

ВАРИАНТЫ ЗАПОЛНЕНИЯ ПАНОРАМНОЙ ПАНЕЛИ



Двойное акриловое остекление 26 мм



Композитное заполнение 3 мм



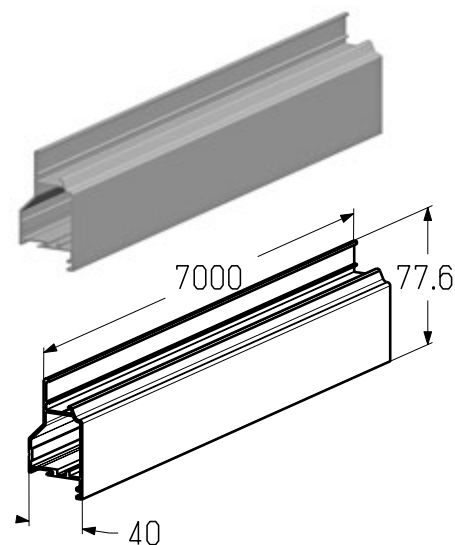
Композитное заполнение 26 мм

Профиль воротный (верхний)

Используется для изготовления панорамных панелей AluTrend. Применяется совместно с сэндвич-панелью с рисунком «Микроволна».

Материал	алюминий
Длина, мм	7000
Вес, кг/м	0,93
Единица измерения	м
Норма поставки, м	28

Артикул	Код	Цвет* Степень блеска
PRD124	481009100	RAL 9006 30
	481009400	RAL 9016 30
	401110717	RAL 8014
	481009300	RAL 8017 30
	481009500	RAL 5010 30

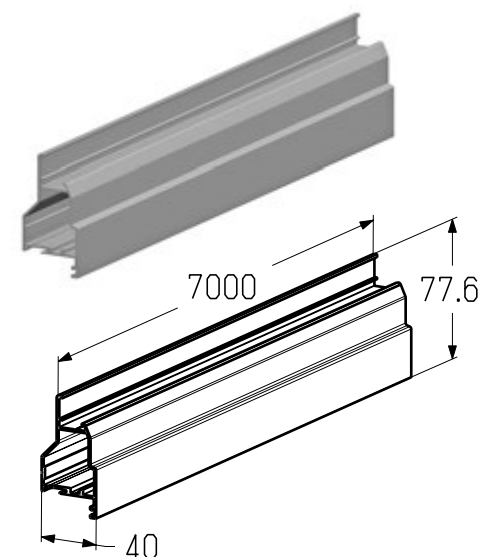


Профиль воротный (верхний)

Используется для изготовления панорамных панелей AluTrend. Применяется совместно с сэндвич-панелью с рисунком «S-гофр».

Материал	алюминий
Длина, мм	7000
Вес, кг/м	0,93
Единица измерения	м
Норма поставки, м	28

Артикул	Код	Цвет* Степень блеска
PRD125	481009600	RAL 9006 30
	481009900	RAL 9016 30
	401110817	RAL 8014
	481009800	RAL 8017 30
	481010000	RAL 5010 30



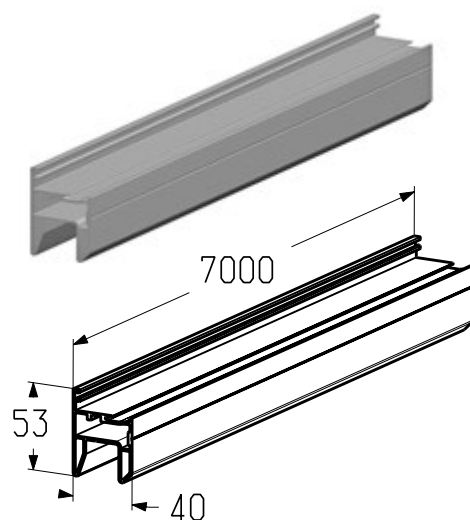
Профиль воротный (нижний)

Используется для изготовления панорамных панелей AluTrend. Применяется в панорамных воротах:

- шириной до 4000 мм;
- шириной от 5005 мм с установкой профиля усиливающего (PRG20).

Материал	алюминий
Длина, мм	7000
Вес, кг/м	0,98
Единица измерения	м
Норма поставки, м	28

Артикул	Код	Цвет* Степень блеска
PRD122	481008100	RAL 9006 30
	481008400	RAL 9016 30
	401131017	RAL 8014
	481008300	RAL 8017 30
	481008500	RAL 5010 30



* Указанные цвета имеют близкое соответствие шкале RAL.

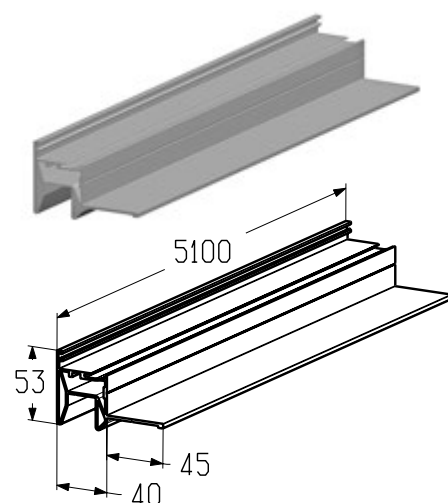
АЛЮМИНИЕВЫЕ ПРОФИЛИ ДЛЯ ПАНОРАМНЫХ ПАНЕЛЕЙ

Профиль воротный (нижний)

Используется для изготовления панорамных панелей AluTrend. Применяется в панорамных воротах шириной от 4005 до 5000 мм.

Материал	алюминий
Длина, мм	5100
Вес, кг/м	1,29
Единица измерения	м
Норма поставки, м	28

Артикул	Код	Цвет Степень блеска
PRD123	481008600	RAL 9006 30
	481008900	RAL 9016 30
	401131117	RAL 8014
	481008800	RAL 8017 30
	481009000	RAL 5010 30



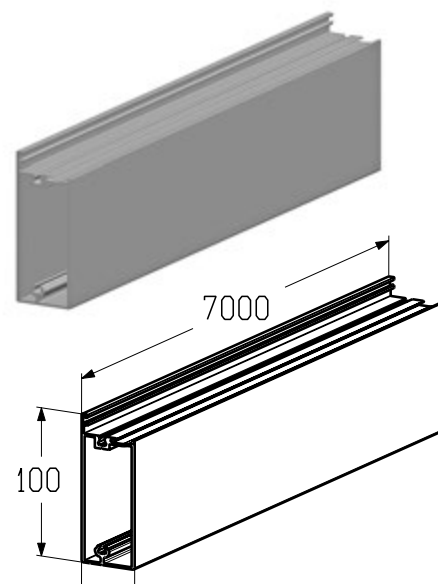
1.2

Профиль воротный (боковой)

Используется для изготовления панорамных панелей AluTrend.

Материал	алюминий
Длина, мм	7000
Вес, кг/м	1,74
Единица измерения	м
Норма поставки, м	14

Артикул	Код	Цвет Степень блеска
PRD120	481007100	RAL 9006 30
	481007400	RAL 9016 30
	401120517	RAL 8014
	481007300	RAL 8017 30
	481007500	RAL 5010 30

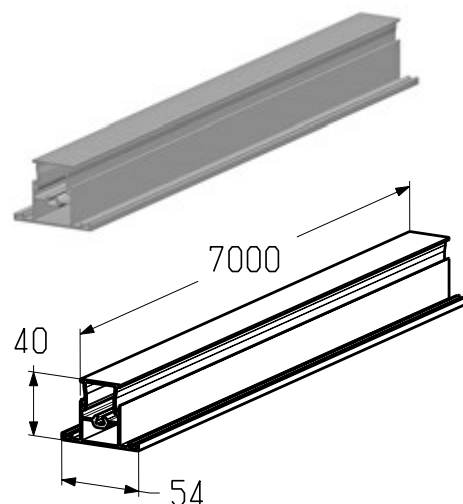


Профиль воротный (импост)

Используется для изготовления панорамных панелей AluTrend.

Материал	алюминий
Длина, мм	7000
Вес, кг/м	0,87
Единица измерения	м
Норма поставки, м	42

Артикул	Код	Цвет Степень блеска
PRD121	481007600	RAL 9006 30
	481007900	RAL 9016 30
	401140517	RAL 8014
	481007800	RAL 8017 30
	481008000	RAL 5010 30



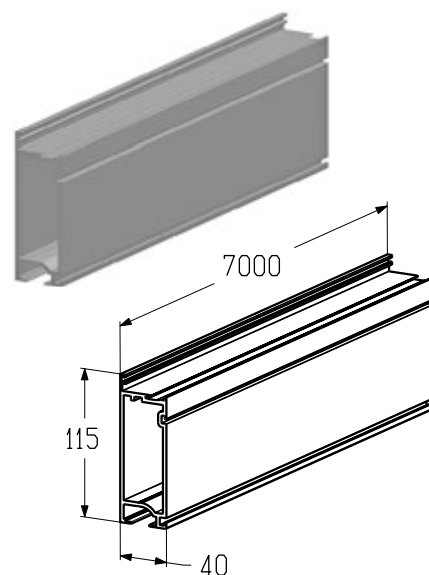
* Указанные цвета имеют близкое соответствие шкале RAL.

Профиль воротный (нижний концевой)

Используется для изготовления панорамных панелей AluTrend.

Материал	алюминий
Длина, мм	7000
Вес, кг/м	2,53
Единица измерения	м
Норма поставки, м	14

Артикул	Код	Цвет* Степень блеска
PRD126	481010100	RAL 9006 30
	481010400	RAL 9016 30
	401110917	RAL 8014
	481010300	RAL 8017 30
	481010500	RAL 5010 30

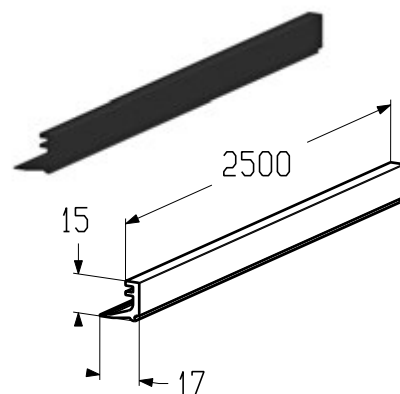


Профиль воротный (штапик)

Используется для изготовления панорамных панелей AluTrend совместно со светопрозрачными или композитными вставками толщиной 26 мм.

Материал	RPVC
Длина, мм	2500
Вес, кг/м	0,01
Единица измерения	м
Норма поставки, м	125

Артикул	Код
PRP01	401150130

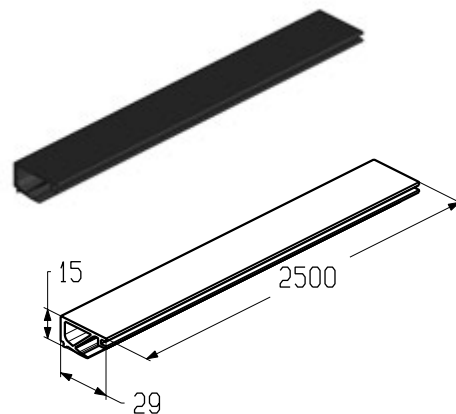


Профиль воротный (нижний)

Используется для изготовления панорамных панелей AluTrend совместно со светопрозрачными или композитными вставками толщиной 3 мм, решетками и перфорированными листами.

Материал	RPVC
Длина, мм	2500
Вес, кг/м	0,194
Единица измерения	м
Норма поставки, м	300

Артикул	Код
PRP03	401150330



* Указанные цвета имеют близкое соответствие шкале RAL.

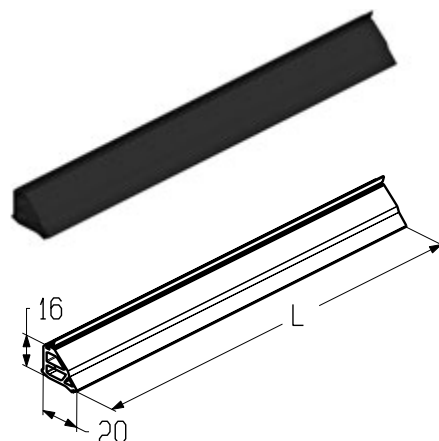
ПОЛОТНО ВОРОТ

Вставка уплотнительная

Используется для изготовления панорамных панелей AluTrend. Предназначена для установки в профиль воротный верхний (PRD124, 125).

Материал	EPDM
Вес, кг/м	0,163
Единица измерения	м
Норма поставки, м	100

Артикул	Код
RSP26	401530700



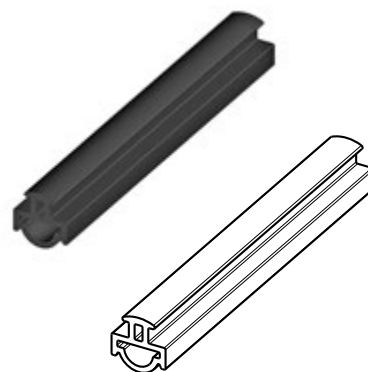
1.2

Уплотнитель резиновый

Используется для изготовления панорамных панелей AluTrend. Предназначен для установки с наружной стороны ворот совместно со светопрозрачной вставкой толщиной 26 мм, 3 мм или композитной вставкой толщиной 26 мм и 3 мм, решетками или перфорированными листами для заполнения панорамных секций.

Материал	EPDM
Вес, кг/м	0,05
Единица измерения	м
Норма поставки, м	500

Артикул	Код
FRK07	10210600

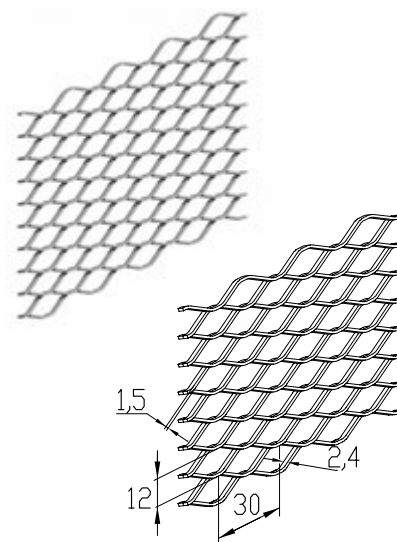


Решетка для панорамной панели стальная

Используется для заполнения панорамных панелей AluTrend.

Материал	оцинкованная сталь
Толщина, мм	4,0
Вес, кг/м ²	0,44
Единица измерения	м ²
Норма поставки, м	3,125

Артикул	Код
GG-58	401192200



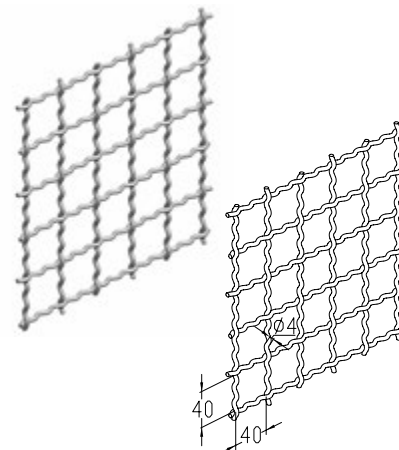
* Указанные цвета имеют близкое соответствие шкале RAL.

Решетка для панорамной панели стальная тянутая

Используется для заполнения панорамных панелей AluTrend.

Материал	оцинкованная сталь
Толщина, мм	4,0
Вес, кг/м ²	3,69
Единица измерения	м ²
Норма поставки, м	3,125

Артикул	Код
GG-40x40	401192300

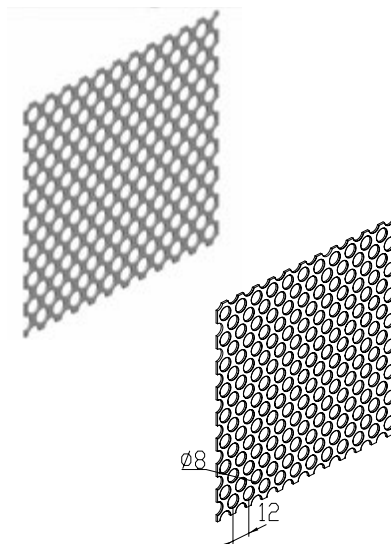


Лист перфорированный алюминиевый для панорамной панели

Используется для заполнения панорамных панелей AluTrend.

Материал	алюминий
Толщина, мм	1,6
Вес, кг/м ²	3,75
Единица измерения	м ²
Норма поставки, м	3,125

Артикул	Код
AG-8-12	401192400



УСТАНОВКА КРОНШТЕЙНА РОЛИКОВОГО ВЕРХНЕГО

**Кронштейн роликовый верхний
для гаражных ворот с пружинами растяжения**



**Кронштейн роликовый верхний
для гаражных ворот с торсионными пружинами**



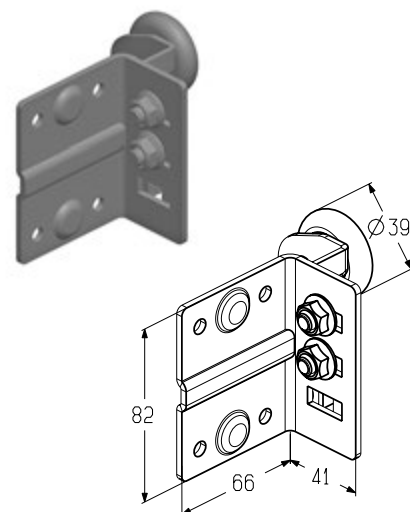
1.2

Кронштейн роликовый верхний

Предназначен для установки на верхнюю панель полотна ворот. Используется в гаражных воротах с пружинами растяжения.

Материал оцинкованная сталь
Вес, кг/шт. 0,41
Единица измерения шт.
Норма поставки, шт. 40

Артикул	Код	Применение
RBT-310L	401210600	Левый
RBT-310R	401210700	Правый

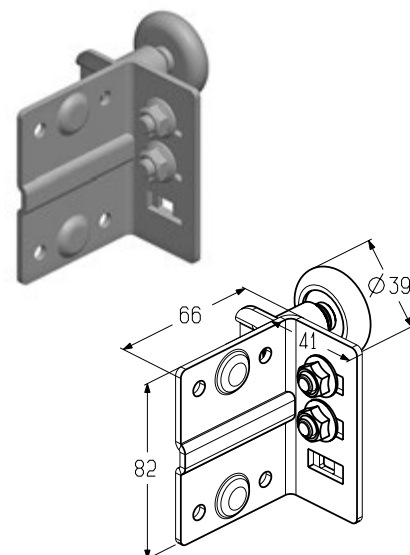


Кронштейн роликовый верхний

Предназначен для установки на верхнюю панель полотна ворот. Используется в гаражных воротах с торсионными пружинами.

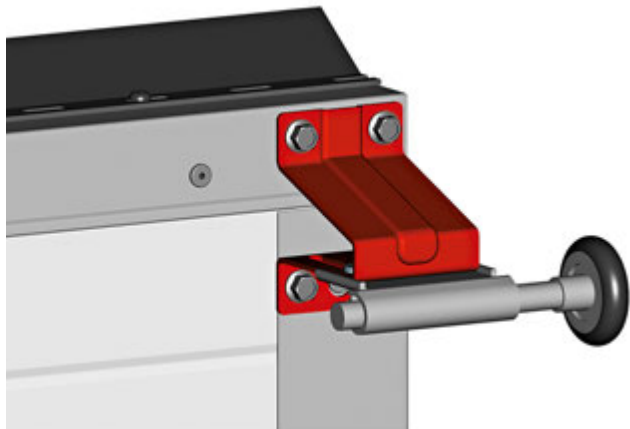
Материал оцинкованная сталь
Вес, кг/шт. 0,40
Единица измерения шт.
Норма поставки, шт. 40

Артикул	Код	Применение
RBT-320L	401210800	Левый
RBT-320R	401210900	Правый



УСТАНОВКА КРОНШТЕЙНА РОЛИКОВОГО ВЕРХНЕГО

Кронштейн роликовый верхний
для промышленных ворот всех типов монтажа (кроме низких)



Кронштейн верхний роликовый
для промышленных ворот низких типов монтажа

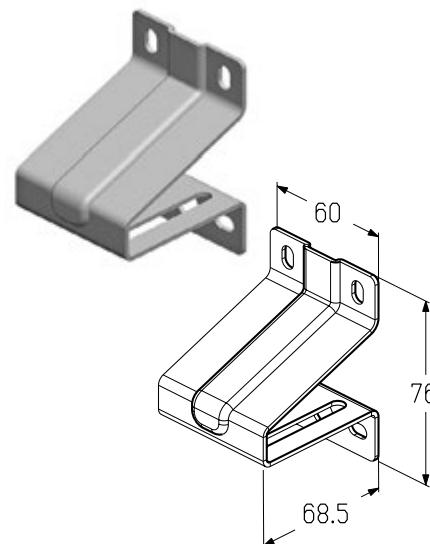


Кронштейн роликовый верхний

Предназначен для установки на верхнюю панель полотна ворот. Используется:

- в гаражных воротах высокого типа монтажа;
- в промышленных воротах всех типов монтажа (кроме низких типов монтажа).

Материал оцинкованная сталь
 Вес, кг/шт. 0,157
 Единица измерения шт.
 Норма поставки, шт. 120

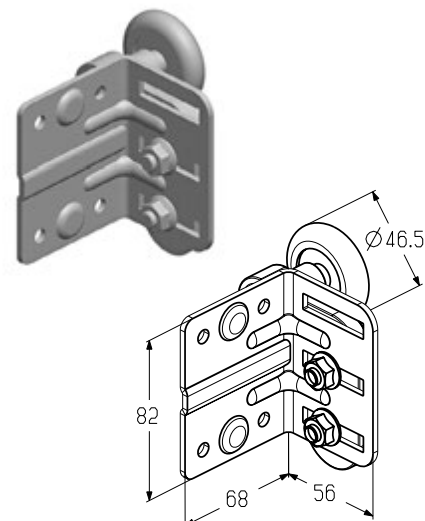


Артикул	Код
RBI-40.127	401211400

Кронштейн роликовый верхний

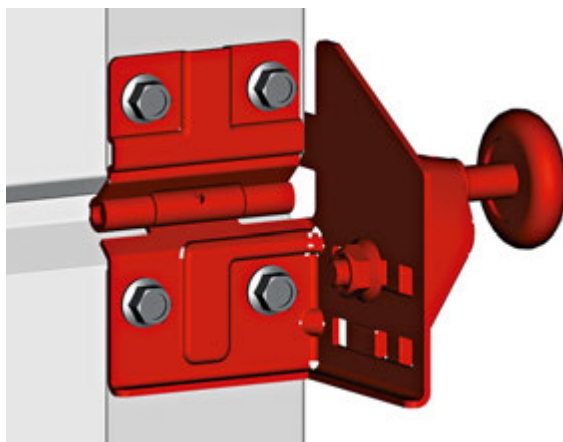
Предназначен для установки на верхнюю панель полотна ворот. Используется в промышленных воротах низких типов монтажа.

Материал оцинкованная сталь
 Вес, кг/шт. 0,414
 Единица измерения шт.
 Норма поставки, шт. 40



Артикул	Код	Применение
RBI-40.126L	402601300	Левый
RBI-40.126R	402601400	Правый

УСТАНОВКА КРОНШТЕЙНА РОЛИКОВОГО БОКОВОГО ГАРАЖНЫЕ ВОРОТА



1.2

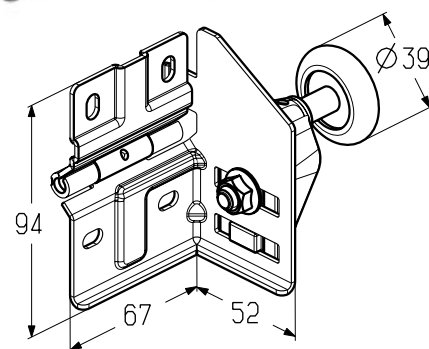
Кронштейн роликовый боковой

Предназначен для установки:

- на промежуточные панели гаражных ворот стандартного типа монтажа (торсионные пружины);
- на промежуточные панели гаражных ворот с пружинами растяжения и низкого типа монтажа (торсионные пружины), исключая вторую панель сверху, если верхняя панель меньше 300 мм.

Материал оцинкованная сталь/цинковый сплав
 Вес, кг/шт. 0,336
 Единица измерения шт.
 Норма поставки, шт. 40

Артикул	Код	Применение
RBT-200L	401221000	Левый
RBT-200R	401221100	Правый

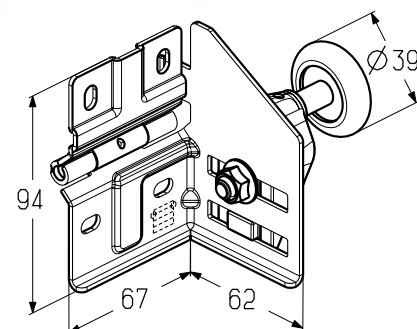


Кронштейн роликовый верхний

Предназначен для установки на вторую панель сверху гаражных ворот с пружинами растяжения и низкого типа монтажа (торсионные пружины), если верхняя панель меньше 300 мм.

Материал оцинкованная сталь/цинковый сплав
 Вес, кг/шт. 0,414
 Единица измерения шт.
 Норма поставки, шт. 40

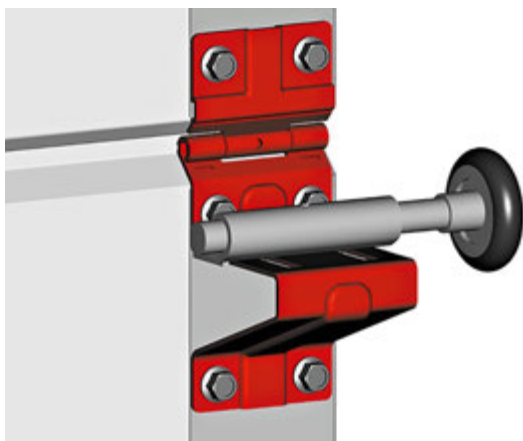
Артикул	Код	Применение
RBT-210L	401221200	Левый
RBT-210R	401221300	Правый



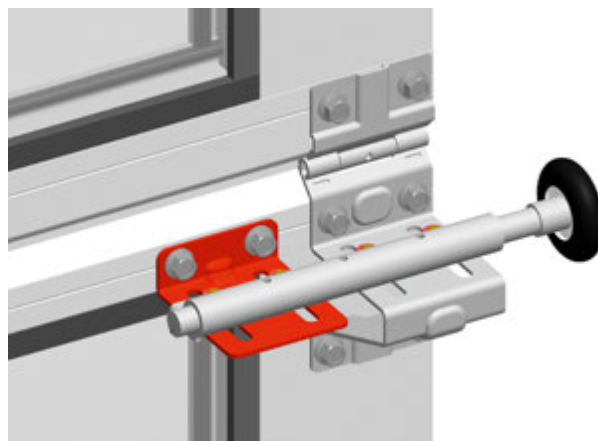
УСТАНОВКА КРОНШТЕЙНА РОЛИКОВОГО БОКОВОГО

ПРОМЫШЛЕННЫЕ ВОРОТА

Кронштейн роликовый боковой для промышленных ворот



Кронштейн роликовый боковой для панорамных ворот. Установка на промежуточные панели

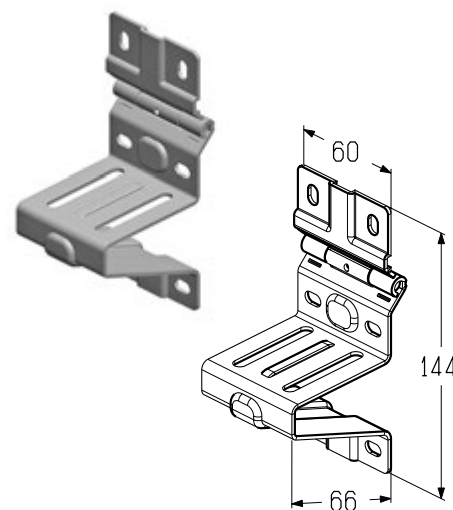


Кронштейн роликовый боковой

Предназначен для установки на промежуточные панели полотна ворот. Используется:

- в гаражных воротах высокого типа монтажа;
- в промышленных воротах всех типов монтажа.

Материал оцинкованная сталь
 Вес, кг/шт. 0,253
 Единица измерения шт.
 Норма поставки, шт. 60

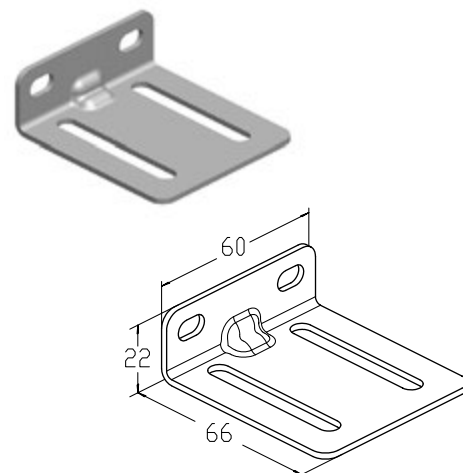


Артикул	Код
RBI-40.123	402601100

Кронштейн роликовый боковой

Предназначен для установки на промежуточные и верхнюю панорамные панели AluTrend. Устанавливается совместно с кронштейном боковым (RBI-40.123). Используется в гаражных и промышленных воротах с панорамными панелями при ширине проема более 5 м.

Материал нержавеющая сталь
 Вес, кг 0,07
 Единица измерения шт
 Норма поставки, шт. 1



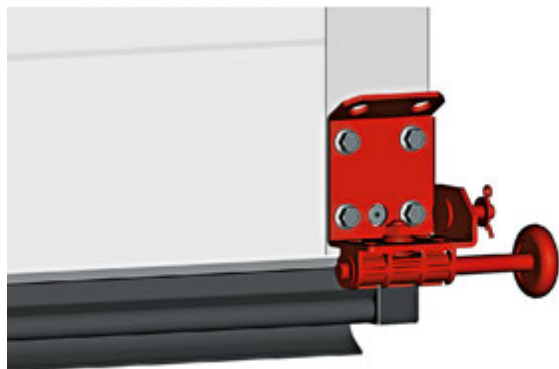
Артикул	Код
RBI-40.124	401222200

* Опционально в гаражных воротах до 5 м.

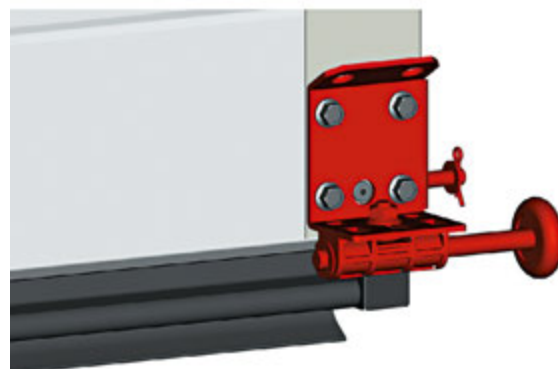
УСТАНОВКА КРОНШТЕЙНА РОЛИКОВОГО НИЖНЕГО

ГАРАЖНЫЕ ВОРОТА

**Кронштейн роликовый нижний
для гаражных ворот с пружинами растяжения**



**Кронштейн роликовый нижний
для гаражных ворот с торсионными пружинами**



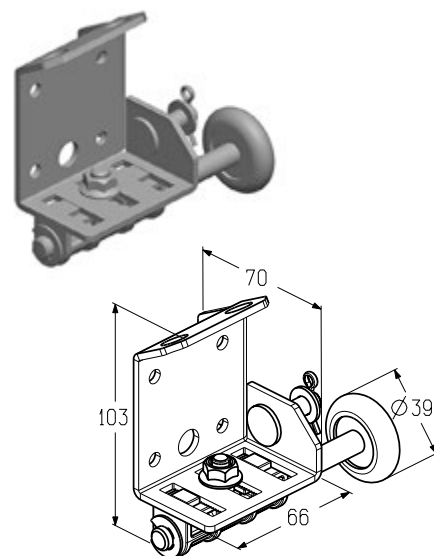
1.2

Кронштейн роликовый нижний

Предназначен для установки на нижнюю панель полотна ворот. Используется в гаражных воротах с пружинами растяжения.

Материал оцинкованная сталь/цинковый сплав
Вес, кг/шт. 0,448
Единица измерения шт.
Норма поставки, шт. 40

Артикул	Код	Применение
RBT-100L	401232200	Левый
RBT-100R	401232300	Правый

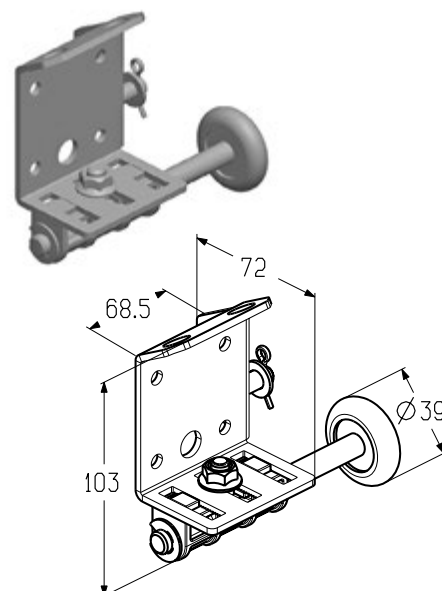


Кронштейн роликовый нижний

Предназначен для установки на нижнюю панель полотна ворот. Используется в гаражных воротах с торсионными пружинами.

Материал оцинкованная сталь/цинковый сплав
Вес, кг/шт. 0,40
Единица измерения шт.
Норма поставки, шт. 40

Артикул	Код	Применение
RBT-110L	401232400	Левый
RBT-110R	401232500	Правый

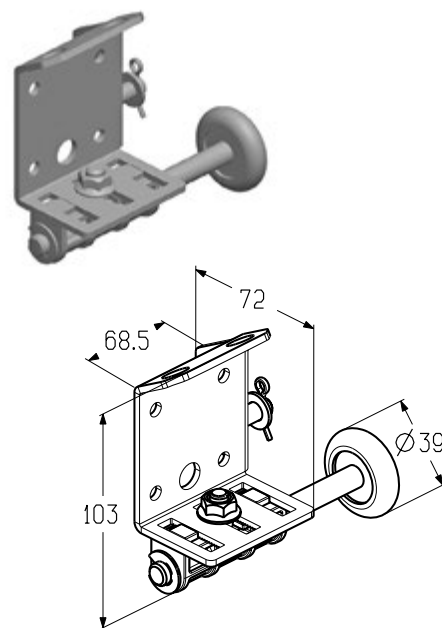


Кронштейн роликовый нижний

Предназначен для установки на нижнюю панель полотна ворот. Используется в гаражных воротах высокого типа монтажа с торсионными пружинами.

Материал оцинкованная сталь/цинковый сплав
 Вес, кг 0,41
 Единица измерения шт.
 Норма поставки, шт. 40

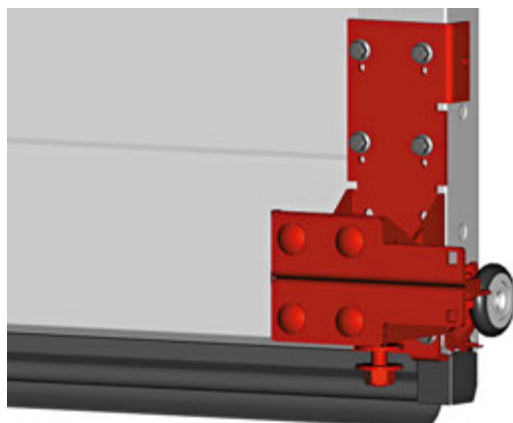
Артикул	Код	Применение
RBT-120L	406136678	Левый
RBT-120R	406136679	Правый



УСТАНОВКА КРОНШТЕЙНА РОЛИКОВОГО НИЖНЕГО

ПРОМЫШЛЕННЫЕ ВОРОТА

Кронштейн роликовый нижний (RBI-40.110L/R)



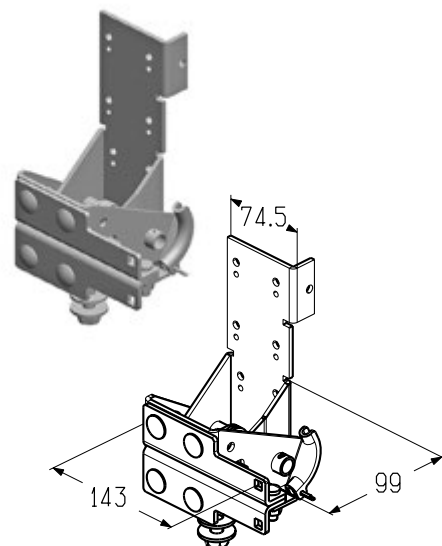
1.2

Кронштейн роликовый нижний

Предназначен для защиты от падения полотна промышленных ворот при обрыве троса.
Устанавливается на нижнюю панель полотна ворот. Используется в промышленных воротах всех типов монтажа шириной до 5 м включительно.

Материал оцинкованная сталь
Вес, кг/шт. 2,26
Единица измерения шт.
Норма поставки, шт. 6

Артикул	Код	Применение
RBI-40.110L	401232600	Левый
RBI-40.110R	401232700	Правый

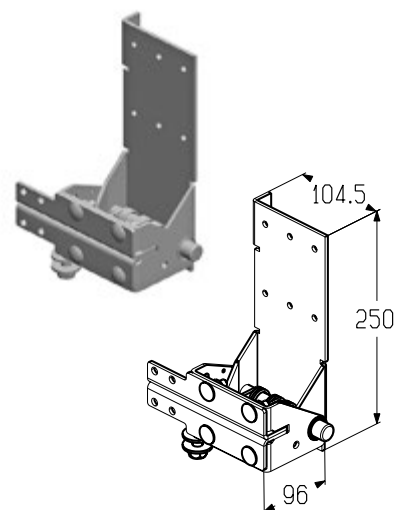


Кронштейн роликовый нижний

Предназначен для защиты от падения полотна промышленных ворот при обрыве троса.
Устанавливается на нижнюю панель полотна ворот. Используется в промышленных воротах всех типов монтажа шириной свыше 5 м.

Материал оцинкованная сталь
Вес, кг/шт. 2,57
Единица измерения шт.
Норма поставки, шт. 2

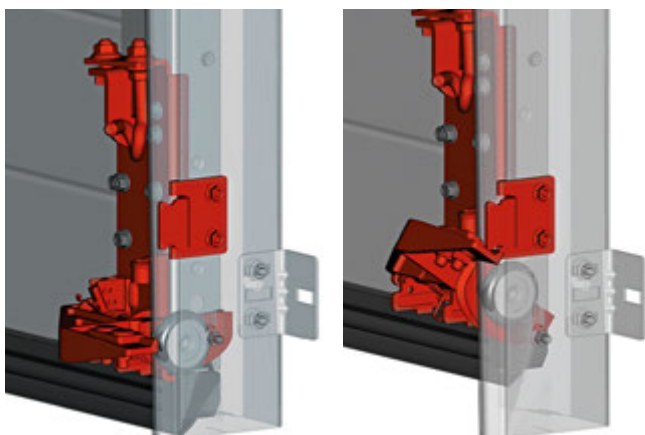
Артикул	Код	Применение
RBI-40.110DL	401232800	Левый
RBI-40.110DR	401232900	Правый



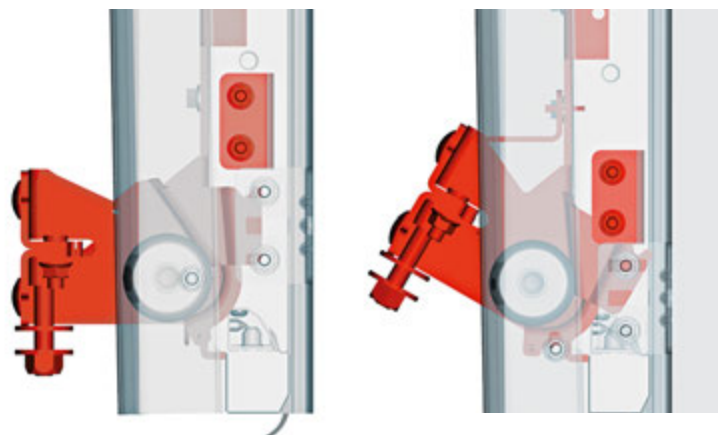
УСТАНОВКА КРОНШТЕЙНА РОЛИКОВОГО НИЖНЕГО

ПРОМЫШЛЕННЫЕ ВОРОТА

**Кронштейн роликовый нижний
(RBI-40.100L/R)**



**Кронштейн роликовый нижний
(RBI-40.120L/R)**



Кронштейн роликовый нижний

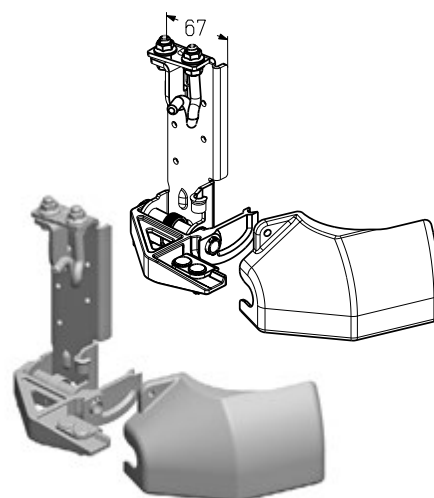
Предназначен:

- для защиты от падения полотна промышленных ворот при обрыве троса;
- для защиты промышленных ворот с навальным электроприводом от поддомкрачивания.

Обеспечивает возможность натяжения троса. Устанавливается на нижнюю панель полотна ворот.

Используется в промышленных воротах всех типов монтажа шириной до 5 м включительно и площадью до 25 м².

Материал оцинкованная сталь
Вес, кг/шт. 1,64
Единица измерения шт.
Норма поставки, шт. 4



Артикул	Код	Применение
RBI-40.100L	402601500	Левый
RBI-40.100R	402601600	Правый

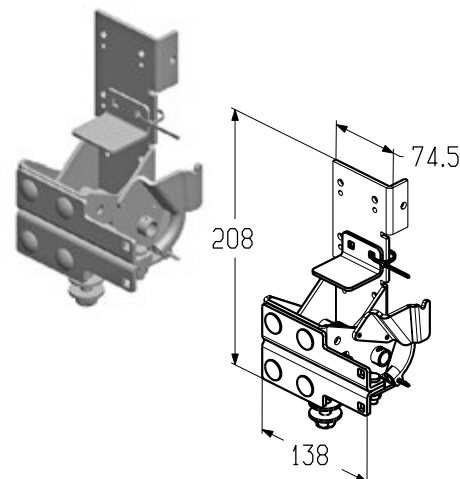
Кронштейн роликовый нижний

Предназначен:

- для защиты от падения полотна промышленных ворот при обрыве троса;
- для защиты промышленных ворот с навальным электроприводом от поддомкрачивания.

Устанавливается на нижнюю панель полотна ворот. Используется в промышленных воротах всех типов монтажа шириной до 5 м включительно.

Материал оцинкованная сталь
Вес, кг/шт. 2,27
Единица измерения шт.
Норма поставки, шт. 5



Артикул	Код	Применение
RBI-40.120L	401234200	Левый
RBI-40.120R	401234300	Правый

КРОНШТЕЙНЫ И ПЕТЛИ ДЛЯ СБОРКИ ПОЛОТНА ВОРОТ

Кронштейн роликовый нижний

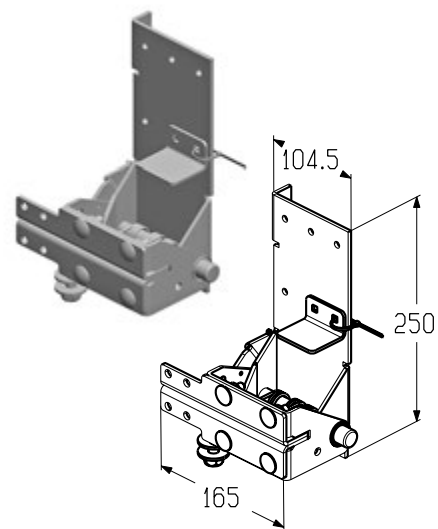
Предназначен:

- для защиты от падения полотна промышленных ворот при обрыве троса;
- для защиты промышленных ворот с навальным электроприводом от поддомкрачивания.

Устанавливается на нижнюю панель полотна ворот. Используется в промышленных воротах всех типов монтажа шириной свыше 5 м.

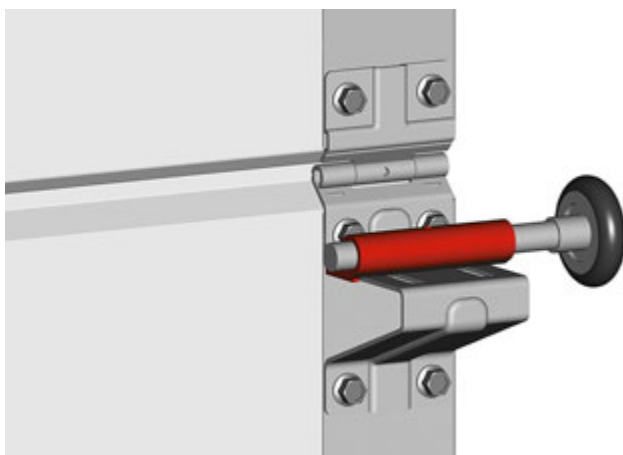
Материал оцинкованная сталь
 Вес, кг/шт. 2,67
 Единица измерения шт.
 Норма поставки, шт. 2

Артикул	Код	Применение
RBI-40.120DL	401234400	Левый
RBI-40.120DR	401234500	Правый

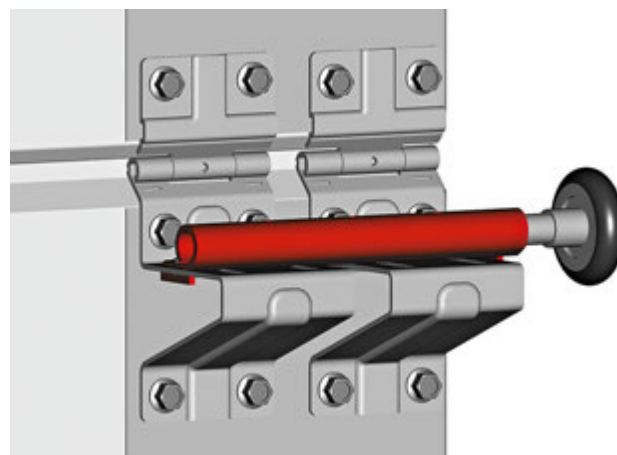


УСТАНОВКА НАКЛАДКИ РОЛИКОВОЙ

Накладка роликовая промежуточная



Накладка роликовая промежуточная дуплексная



Накладка роликовая промежуточная

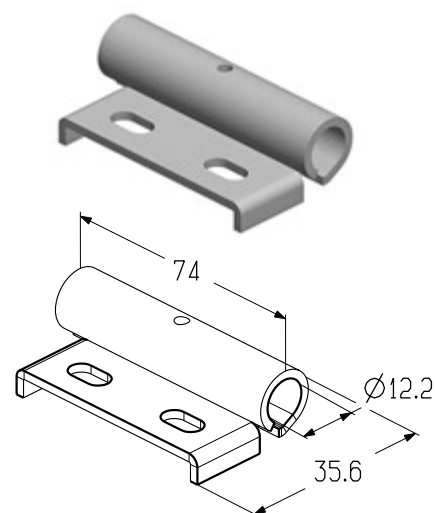
Предназначена для установки ролика ходового (R-130-12-G) на кронштейн роликовый боковой (RBI-40.123) на промежуточные панели полотна ворот.

Используется:

- в гаражных воротах высокого типа монтажа;
- в промышленных воротах всех типов монтажа.

Материал оцинкованная сталь
 Вес, кг/шт. 0,106
 Единица измерения шт.
 Норма поставки, шт. 200

Артикул	Код
RP-40.123	401240500



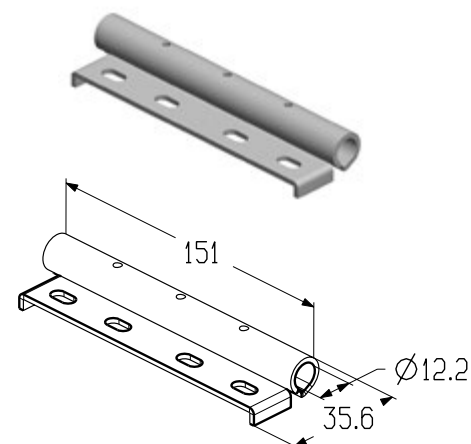
Накладка роликовая промежуточная дуплексная

Предназначена для установки ролика ходового (R-205-12-G) на двойной кронштейн боковой (RBI-40.123) на промежуточные панели полотна ворот. Используется:

- в гаражных воротах высокого типа монтажа шириной свыше 5 м;
- в промышленных воротах всех типов монтажа шириной свыше 5 м.

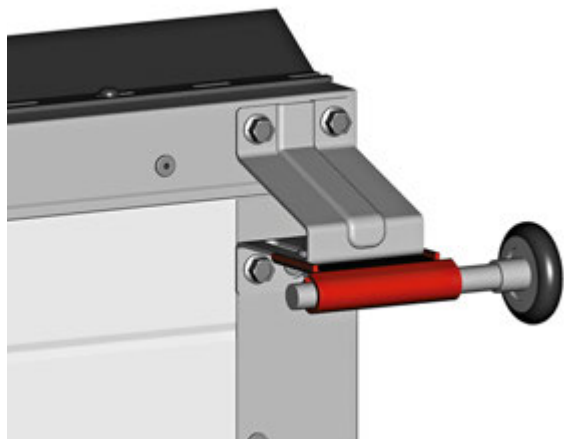
Материал оцинкованная сталь
 Вес, кг/шт. 0,11
 Единица измерения шт.
 Норма поставки, шт. 100

Артикул	Код
RP-40.123D	401240800

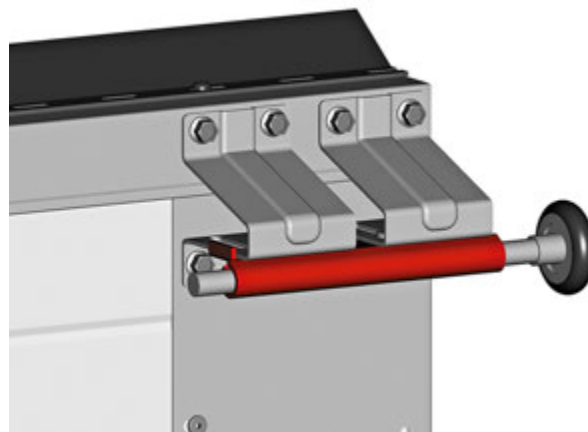


УСТАНОВКА НАКЛАДКИ РОЛИКОВОЙ

Накладка роликовая
верхняя



Накладка роликовая
верхняя дуплексная



1.2

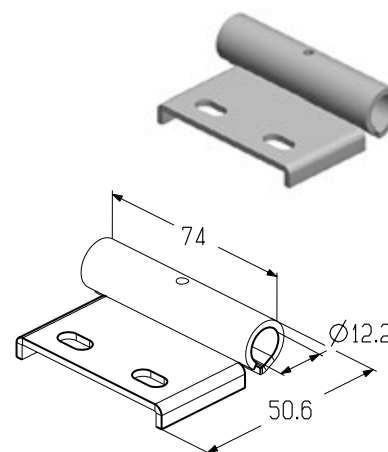
Накладка роликовая верхняя

Предназначена для установки ролика ходового (R-130-12-G) на кронштейн роликовый верхний (RBI-40.127) на верхнюю панель полотна ворот. Используется:

- в гаражных воротах высокого типа монтажа;
- в промышленных воротах всех типов монтажа (кроме низких).

Материал оцинкованная сталь
Вес, кг/шт. 0,07
Единица измерения шт.
Норма поставки, шт. 150

Артикул	Код
RP-40.125	401240600



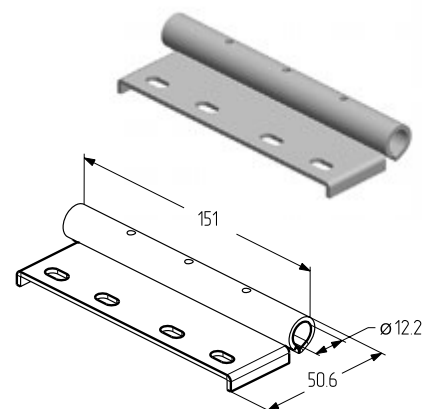
Накладка роликовая верхняя дуплексная

Предназначена для установки ролика ходового (R-205-12-G) на двойной кронштейн роликовый верхний (RBI-40.127) на верхнюю панель полотна ворот. Используется:

- в гаражных воротах высокого типа монтажа шириной свыше 5 м;
- в промышленных воротах всех типов монтажа шириной свыше 5 м (кроме низких).

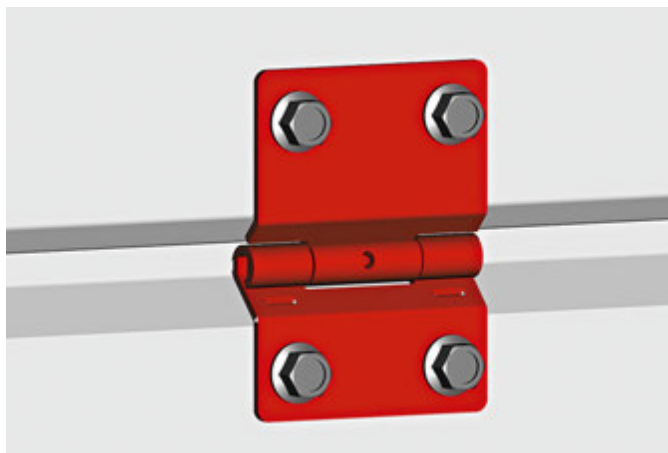
Материал оцинкованная сталь
Вес, кг/шт. 0,22
Единица измерения шт.
Норма поставки, шт. 80

Артикул	Код
RP-40.125D	401240700

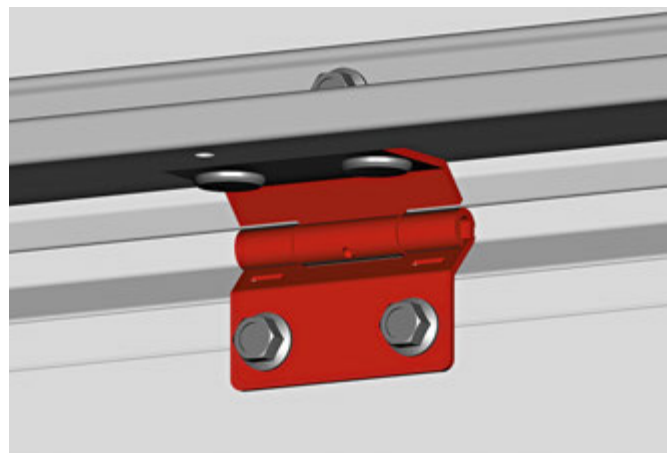


УСТАНОВКА ПЕТЛИ ПРОМЕЖУТОЧНОЙ

Петля промежуточная
(ИН-201)



Петля промежуточная
(ИН-200)

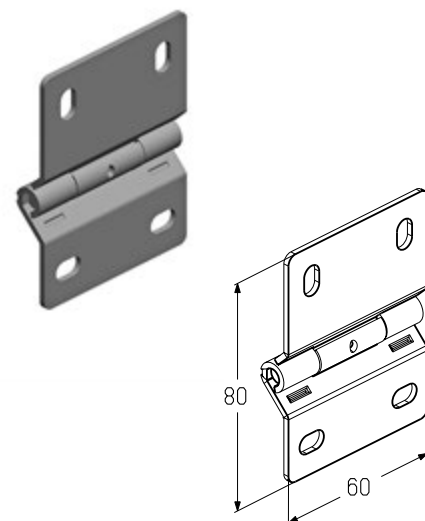


Петля промежуточная

Предназначена для соединения сэндвич-панелей полотна ворот. Используется:

- в гаражных воротах с пружинами растяжения и торсионными пружинами без усиливающего профиля (**PRG-19**);
- в промышленных воротах всех типов монтажа без усиливающего профиля (**PRG-19**).

Материал оцинкованная сталь
 Вес, кг/шт. 0,1
 Единица измерения шт.
 Норма поставки, шт. 300



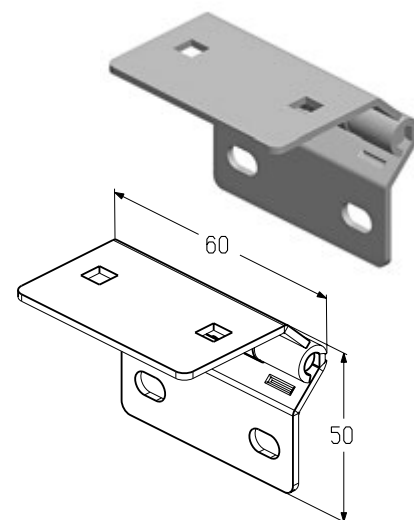
Артикул	Код
ИН-201	401910500

Петля промежуточная

Предназначена для соединения сэндвич-панелей полотна ворот. Используется:

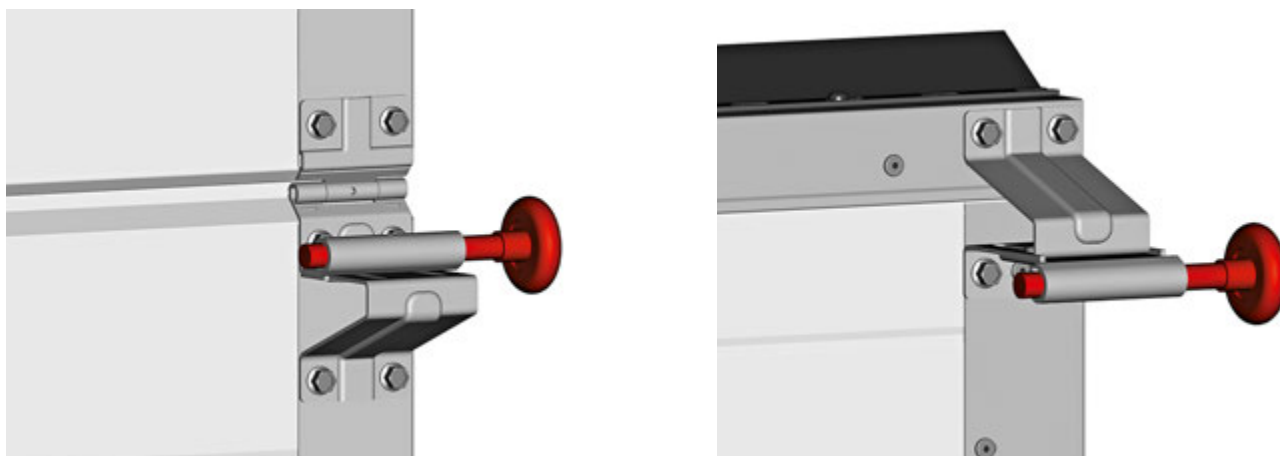
- в гаражных воротах с пружинами растяжения и торсионными пружинами с профилем усиливающим (**PRG-19, PRG-20**);
- в промышленных воротах всех типов монтажа с профилем усиливающим (**PRG-19, PRG-20**).

Материал оцинкованная сталь
 Вес, кг/шт. 0,105
 Единица измерения шт.
 Норма поставки, шт. 200



Артикул	Код
ИН-200	401910400

УСТАНОВКА РОЛИКА ХОДОВОГО



1.2

Ролик ходовой

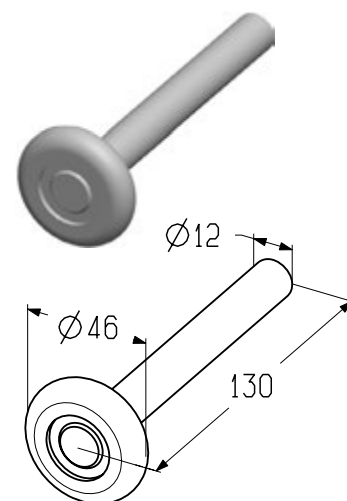
Предназначен для установки в накладку роликую верхнюю (RP-40.125) на кронштейн роликочный верхний (RBI-40.127). Используется в промышленных воротах всех типов монтажа (кроме низких).

Предназначен для установки в накладку роликую промежуточную (RP-40.123) на кронштейн роликочный боковой (RBI-40.123). Используется в промышленных воротах всех типов монтажа шириной до 5 м включительно.

Предназначен для установки в кронштейн роликочный нижний (RBI-40.110L/R, RBI-40.100L/R). Используется в промышленных воротах всех типов монтажа.

Диаметр оси, мм	12
Вес, кг/шт.	0,156
Длина ролика, мм	130
Единица измерения	шт.
Норма поставки, шт.	100

Артикул	Код
R-130-12-G	401920200



Ролик ходовой

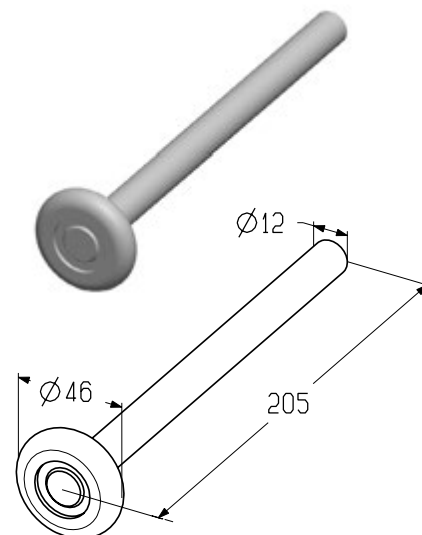
Предназначен для установки в накладку роликую промежуточную дуплексную (RP-40.123D) на двойной кронштейн роликочный боковой (RBI-40.123).

Предназначен для установки в накладку роликую верхнюю дуплексную (RP-40.125D) на двойной кронштейн роликочный верхний (RBI-40.127).

Используется в промышленных воротах всех типов монтажа шириной более 5 м.

Диаметр оси, мм	12
Вес, кг/шт.	0,224
Длина ролика, мм	205
Единица измерения	шт.
Норма поставки, шт.	100

Артикул	Код
R-205-12-G	401920400



Ролик ходовой

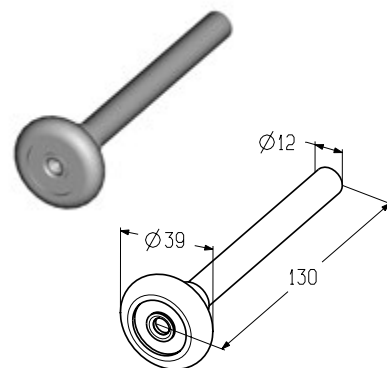
Предназначен для установки в накладку роликую верхнюю (**RP-40.125**) на кронштейн роликый верхний (**RBI-40.127**). Используется в гаражных воротах высокого типа монтажа.

Предназначен для установки в накладку роликую промежуточную (**RP-40.123**) на кронштейн роликый боковой (**RBI-40.123**). Используется в гаражных воротах высокого типа монтажа шириной до 5 м включительно.

Предназначен для установки в кронштейн роликый нижний (**RBI-40.110L/R**, **RBI-40.100L/R**).

Диаметр оси, мм	12
Вес, кг/шт.	0,15
Длина ролика, мм	130
Единица измерения	шт.
Норма поставки, шт.	150

Артикул	Код
RT-130-12-G	401922000

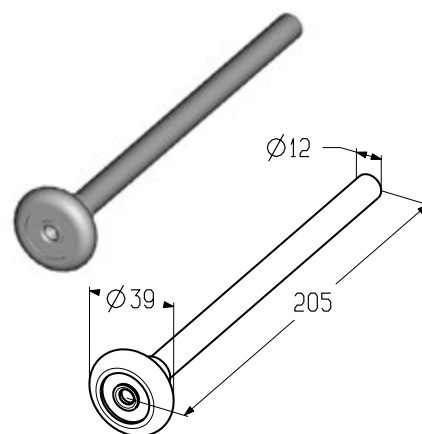


Ролик ходовой

Предназначен для установки в накладку роликую промежуточную дуплексную (**RP-40.123D**) на двойной кронштейн роликый боковой (**RBI-40.123**). Предназначен для установки в накладку роликую верхнюю дуплексную (**RP-40.125D**) на двойной кронштейн роликый верхний (**RBI-40.127**). Используется в гаражных воротах высокого типа монтажа шириной более 5 м включительно.

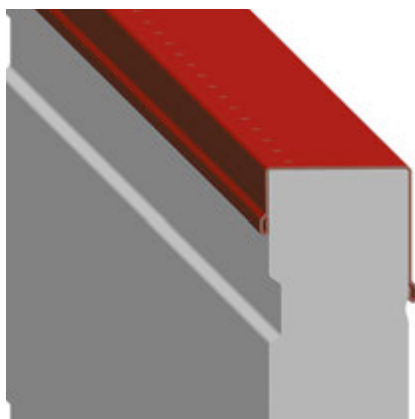
Диаметр оси, мм	12
Вес, кг/шт.	0,22
Длина ролика, мм	205
Единица измерения	шт.
Норма поставки, шт.	100

Артикул	Код
RT-205-12-G	401922100

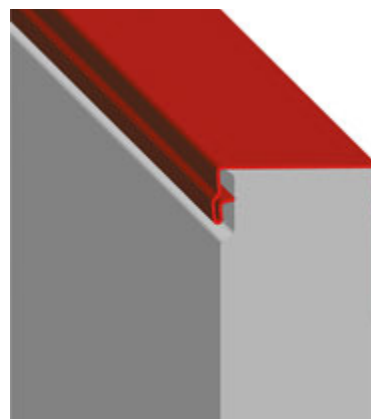


УСТАНОВКА ПРОФИЛЯ КОНЦЕВОГО ВЕРХНЕГО

Профиль верхний
(PRG-37)



Профиль верхний
(PRG-38)



1.2

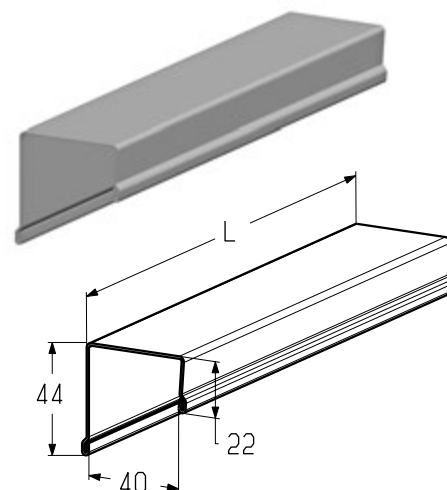
Профиль верхний

Предназначен для установки на верхнюю панель полотна ворот. Используется:

- в гаражных воротах с пружинами растяжения и торсионными пружинами;
- в промышленных воротах всех типов монтажа.

Материал оцинкованная сталь
 Покрытие лакокрасочное
 Цвет бело-серый (близкий RAL 9002)
 Вес, кг/м 0,908
 Единица измерения м

Артикул	Код	Длина (L), мм	Норма поставки, м
PRG-37-5700	402140110	5700	570,0
PRG-37-7040	402140310	7040	704,0



Профиль верхний

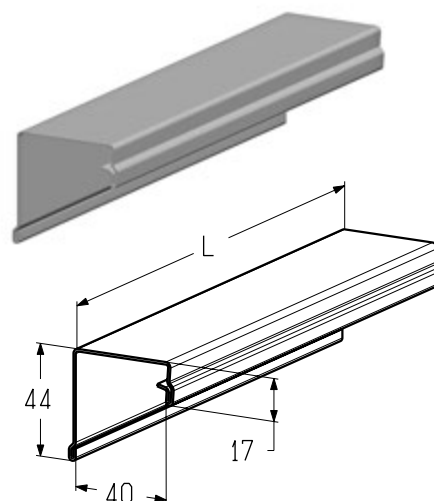
Предназначен для установки на верхнюю панель полотна ворот. Используется:

- в гаражных воротах с пружинами растяжения и торсионными пружинами;
- в промышленных воротах всех типов монтажа.

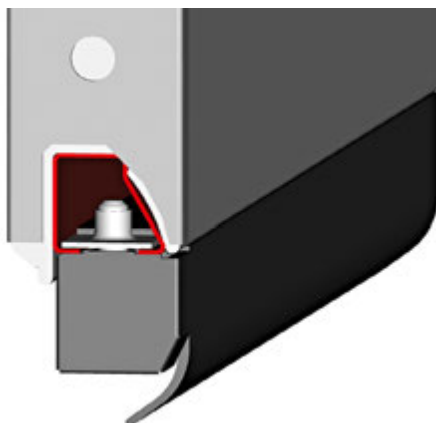
Устанавливается на сэндвич-панель с горизонтальным гофром в том случае, если подрезка панели попадает на паз.

Материал оцинкованная сталь
 Покрытие лакокрасочное
 Цвет бело-серый (близкий RAL 9002)
 Вес, кг/м 0,949
 Единица измерения м

Артикул	Код	Длина (L), мм	Норма поставки, м
PRG-38-5700	402140210	5700	456,0
PRG-38-7040	402140410	7040	563,2



УСТАНОВКА ПРОФИЛЯ КОНЦЕВОГО НИЖНЕГО

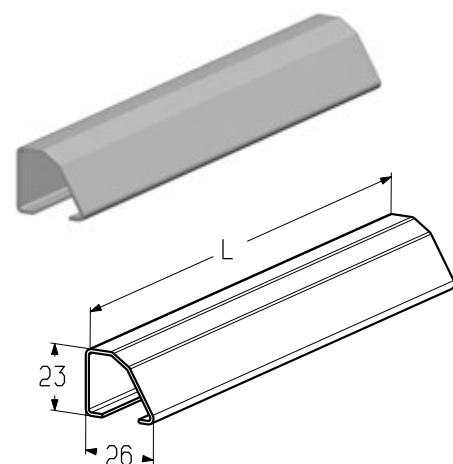


Профиль концевой (нижний)

Используется:

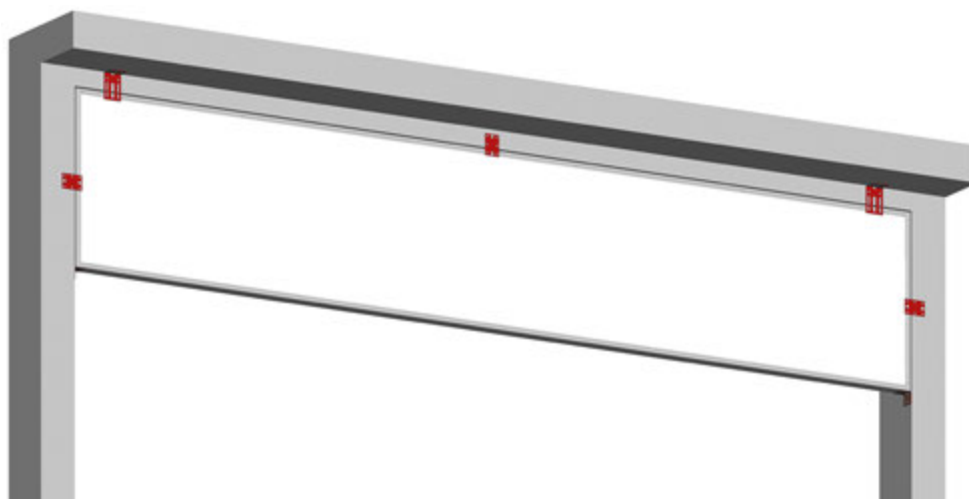
- в гаражных воротах с пружинами растяжения и торсионными пружинами;
- в промышленных воротах всех типов монтажа.

Материал оцинкованная сталь
 Вес, кг/м 0,633
 Единица измерения м



Артикул	Код	Длина (L), мм	Норма поставки, м
PRG-36-5700	402130100	5700	684,0
PRG-36-7040	402130200	7040	844,8

УСТАНОВКА ФАЛЬШПАНЕЛИ



1.2

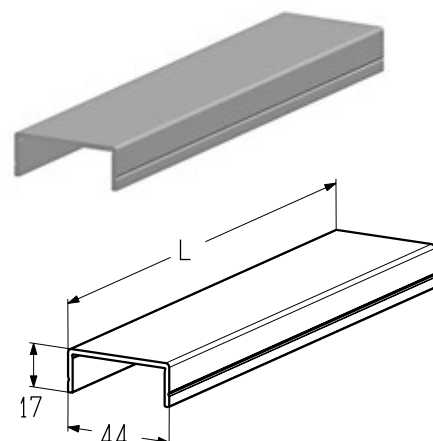
Профиль воротный

Предназначен для изготовления фальшпанели:

- в гаражных воротах с пружинами растяжения и торсионными пружинами;
- в промышленных воротах всех типов монтажа.

Длина, мм	6000
Материал	алюминий
Вес, кг/м	0,376
Единица измерения	м
Норма поставки, м	72

Артикул	Код	Покрытие	Цвет Степень блеска
PRD85	401420191	Анодированное	A00-D6 (серебро)
PRD85	404352933	Порошковое	RAL 8019 30, RAL 8019 30*



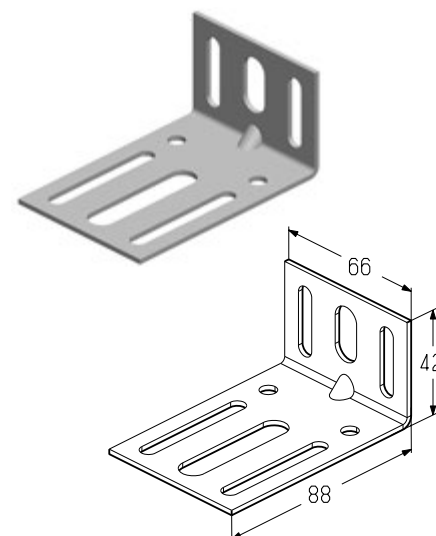
Кронштейн

Предназначен для крепления фальшпанели к верхней перемычке высотой до 65 мм:

- в гаражных воротах с пружинами растяжения и торсионными пружинами;
- в промышленных воротах всех типов монтажа.

Материал	оцинкованная сталь
Вес, кг/шт.	0,092
Единица измерения	шт.
Норма поставки, шт.	200

Артикул	Код
FPB5007	401820100



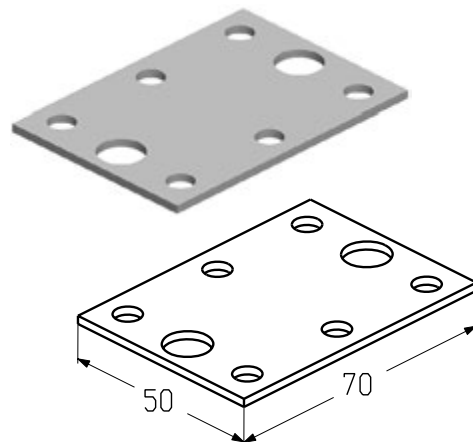
* Указанные цвета имеют близкое соответствие шкале RAL.

Пластина

Предназначена для крепления фальшпанели к верхней перемычке высотой свыше 65 мм и боковым стенкам проема. Используется:

- в гаражных воротах с пружинами растяжения и торсионными пружинами;
- в промышленных воротах всех типов монтажа.

Материал оцинкованная сталь
 Вес, кг/шт. 0,049
 Единица измерения шт.
 Норма поставки, шт. 300



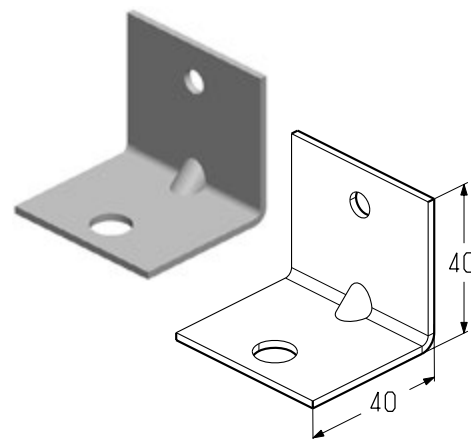
Артикул	Код
FRP5008	401830100

Кронштейн

Предназначен для крепления фальшпанели к боковым стенкам проема. Используется:

- в гаражных воротах с пружинами растяжения и торсионными пружинами;
- в промышленных воротах всех типов монтажа.

Материал оцинкованная сталь
 Вес, кг/шт. 0,053
 Единица измерения шт.
 Норма поставки, шт. 300

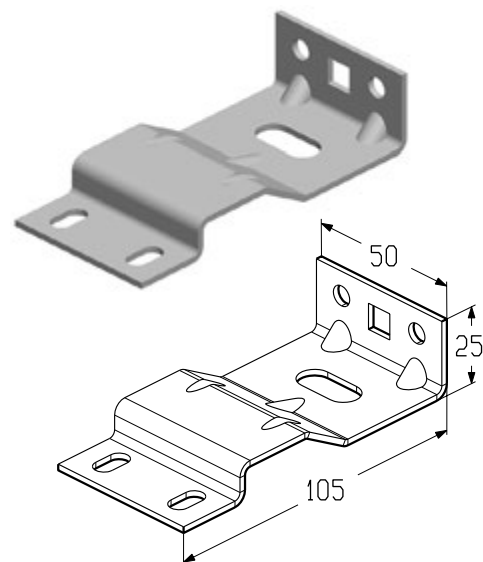


Артикул	Код
FRB5009	401820200

Кронштейн

Предназначен для крепления фальшпанели к боковым стенкам проема. Устанавливается совместно с угловым профилем. Используется в промышленных воротах высоких и вертикальных типов монтажа.

Материал оцинкованная сталь
 Вес, кг/шт. 0,101
 Единица измерения шт.
 Норма поставки, шт. 160



Артикул	Код
FRB5010	401820300

УСТАНОВКА ПРОФИЛЯ УСИЛИВАЮЩЕГО



1.2

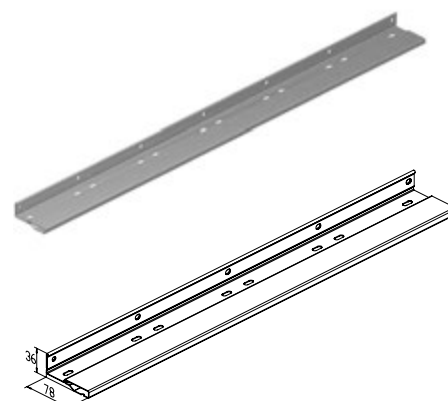
Профиль усиливающий

Используется в гаражных и промышленных воротах:

- всех типов монтажа (кроме высоких и вертикальных) шириной 5 м и более;
- высоких и вертикальных типов монтажа шириной свыше 4,5 м;
- опционально может устанавливаться на ворота шириной 4,5 м и более.

Материал оцинкованная сталь
 Вес, кг/м 1,52
 Единица измерения м

Артикул	Код	Длина, мм	Норма поставки, м
PRG-19-4290	401436200	4290	686,4
PRG-19-4950	401436400	4950	792,0
PRG-19-5610	401436600	5610	897,6
PRG-19-6600	401436900	6600	1056,0



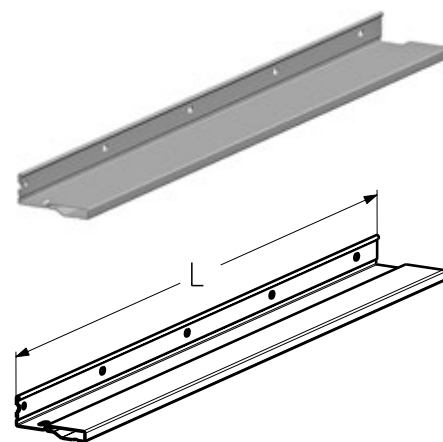
Профиль усиливающий

Используется в гаражных воротах с торсионными пружинами с панорамным остеклением (серия ПО) шириной свыше 5 м. Используется в промышленных воротах с панорамным остеклением (серий АЛП, АЛПС, ПО):

- всех типов монтажа (кроме высоких и вертикальных) шириной свыше 5 м;
- высоких и вертикальных типах монтажа шириной свыше 4,5 м.

Материал оцинкованная сталь
 Вес, кг/м 1,52
 Единица измерения м

Артикул	Код	Длина, мм	Норма поставки, м
PRG-20-4290	401437100	4290	686,4
PRG-20-4950	401437300	4950	792,0
PRG-20-5610	401437500	5610	897,6
PRG-20-6600	401437800	6600	1056,0

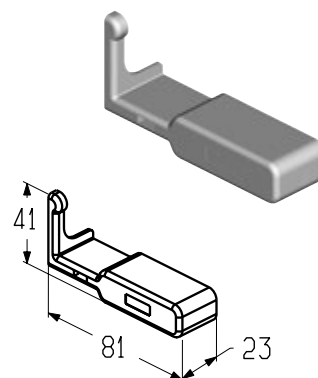


Заглушка

Устанавливается совместно с профилем усиливающим (**PRG-19, PRG-20**).

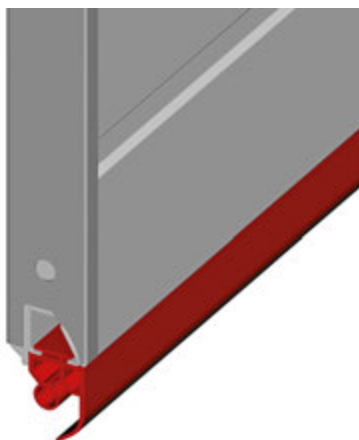
Материал ABS
 Вес, кг/м 0,01
 Единица измерения шт.
 Норма поставки, шт. 630

Артикул	Код	Применение
P19R	401530500	Правая
P19L	401530400	Левая

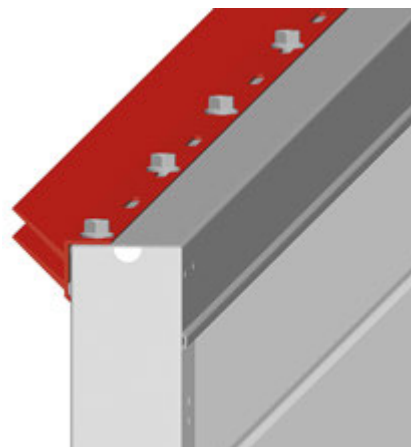


УСТАНОВКА ВСТАВКИ УПЛОТНИТЕЛЬНОЙ

Вставка уплотнительная
нижняя



Вставка уплотнительная
верхняя



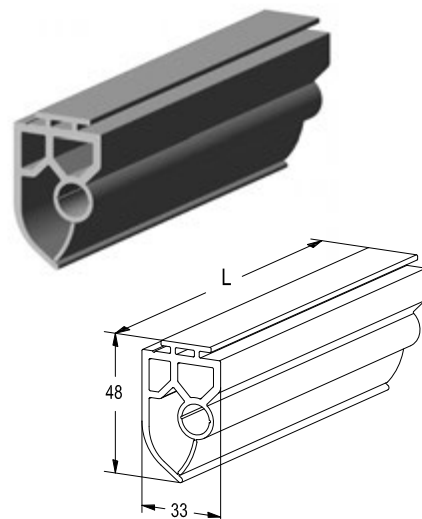
1.2

Вставка уплотнительная (нижняя)

Предназначена для герметизации нижней части проема. Устанавливается в профиль концевой нижний (PRG-36). Используется:

- в гаражных воротах с пружинами растяжения и торсионными пружинами всех типов монтажа;
- в промышленных воротах всех типов монтажа.

Материал EPDM
Вес, кг/м 0,39
Единица измерения м
Норма поставки, м 55

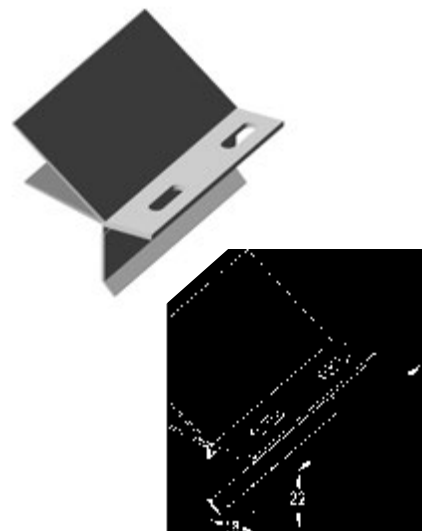


Артикул	Код
RSB20	417500204

Вставка уплотнительная (верхняя)

Предназначена для герметизации верхней части проема. Устанавливается совместно с профилем концевым верхним (PRG-37, PRG-38). Используется в промышленных воротах всех типов монтажа, кроме низкого.

Материал RPVC+TPE
Вес, кг/м 0,30
Единица измерения м
Норма поставки, м 180



Артикул	Код
RST01	401520100

УСТАНОВКА РУЧКИ

Внешняя сторона



Внутренняя сторона



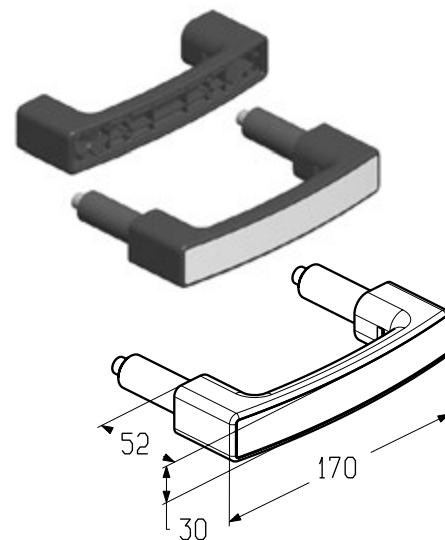
Ручка

Предназначена для подъема полотна гаражных ворот с пружинами растяжения и торсионными пружинами всех типов монтаж, кроме высокого.

В комплект входят:

- двухсторонняя ручка;
- крышка для внутренней ручки, цвет близкий RAL 9002.

Материал полиамид
 Цвет черный
 Вес, кг/м 0,23
 Единица измерения шт.
 Норма поставки, шт. 27



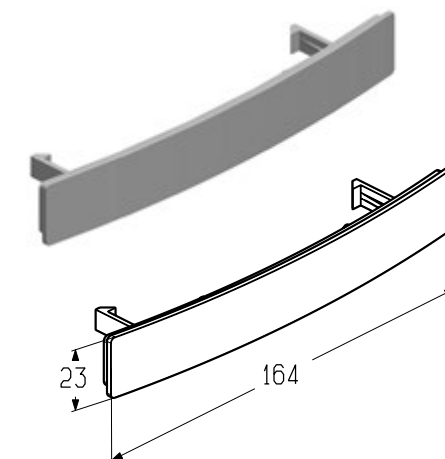
Артикул	Код
HGI-40.006	407410800

Крышка

Используется совместно с ручкой (HGI-40.006).

Материал ABS
 Вес, кг/м 0,01
 Единица измерения шт.
 Норма поставки, шт. 400

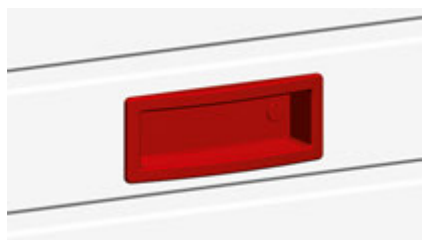
Артикул	Код	Цвет*
HGI006.002.01	407430000	RAL 9016
HGI006.002.02	407430100	RAL 8014
HGI006.002.03	407430200	RAL 9006
HGI006.002.04	407430300	RAL 5010
HGI006.002.09	407430400	RAL 6005
HGI006.002.10	407430500	RAL 1015
HGI006.002.12	407430600	RAL 3004
HGI006.002.15	407430700	RAL 9002
HGI006.002.16	407430800	RAL 7016
HGI006.002.17	407430900	RAL 8017
HGI006.002.18	407431000	RAL 9005



* Указанные цвета имеют близкое соответствие шкале RAL.

УСТАНОВКА РУЧКИ

Ручка (HG-40.007)

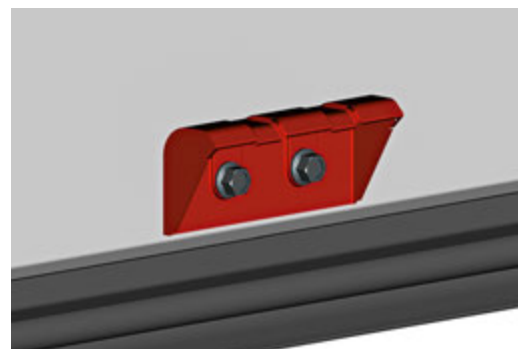


Внешняя сторона



Внутренняя сторона

Ручка (HG-40.008)



1.2

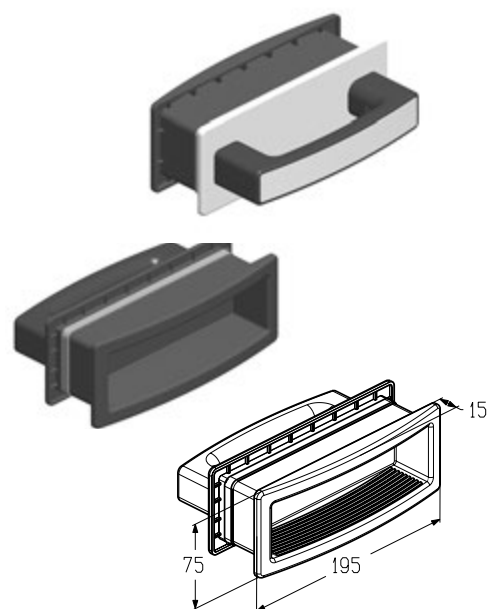
Ручка

Предназначена для подъема полотна:

- гаражных ворот высокого типа монтажа;
- промышленных ворот всех типов монтажа.

Материал	полиамид
Цвет	черный
Вес, кг/шт.	0,65
Единица измерения	шт.
Норма поставки, шт.	28

Артикул	Код
HG-40.007	401930200



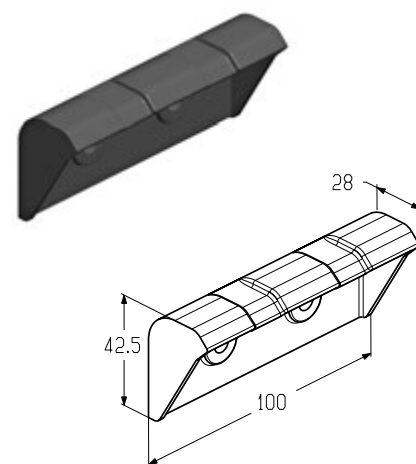
Ручка

Предназначена для подъема полотна без встроенной калитки или усиливающих профилей:

- гаражных ворот с пружинами растяжения и торсионными пружинами всех типов монтажа;
- промышленных ворот всех типов монтажа.

Материал	полиамид
Цвет	черный
Вес, кг/шт.	0,02
Единица измерения	шт.
Норма поставки, шт.	300

Артикул	Код
HG-40.008	407410700

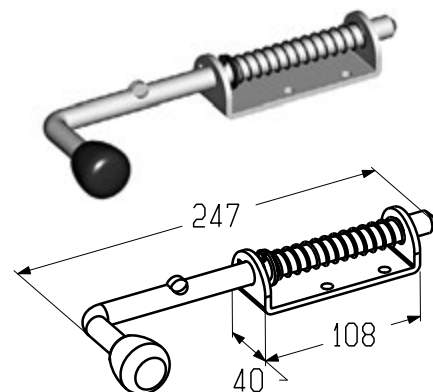


Засов

Предназначен для запираения гаражных и промышленных ворот всех типов монтажа.

Материал оцинкованная сталь
 Вес, кг/шт. 0,506
 Единица измерения шт.
 Норма поставки, шт. 20

Артикул	Код
SB0100	401960000



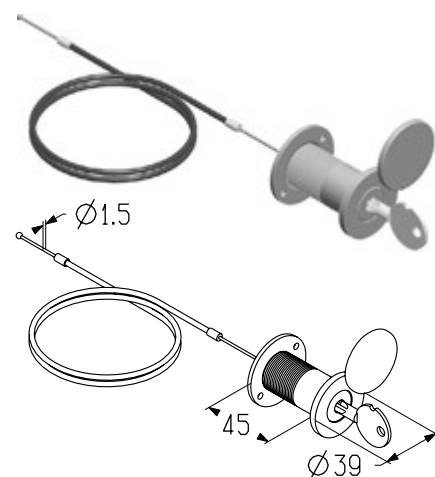
Комплект механизма разблокировки

Предназначен для разблокировки электропривода реечного типа. Используется:

- в гаражных воротах с пружинами растяжения и торсионными пружинами всех типов монтажа;
- в промышленных воротах низких типов монтажа.

Единица измерения шт.
 Длина троса, мм 4500
 Вес, кг/шт. 0,52
 Норма поставки, шт. 4

Артикул	Код
RM0104-4500	401971800



Трос разблокировки

Предназначен для разблокировки электропривода реечного типа. Используется совместно с устройством запирающим **RLT-403**. В комплект входят:

- трос разблокировки;
- комплект крепежа (винты самонарезающие, скобы, хомуты).

Единица измерения шт.
 Норма поставки, шт. 1

Артикул	Код	Длина, мм	Вес, кг/шт.
RK-4500	401971600	4500	0,56
RK-6000	401971700	6000	0,65



УСТАНОВКА УСТРОЙСТВА ЗАПИРАЮЩЕГО

ГАРАЖНЫЕ ВОРОТА

Внешняя сторона

Внутренняя сторона



1.2

Устройство запирающее

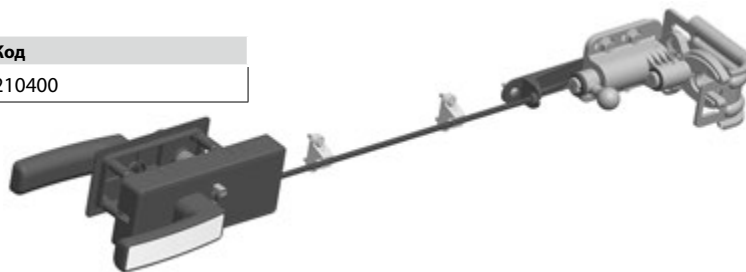
Предназначено для запираения гаражных ворот с пружинами растяжения и торсионными пружинами.

В комплект входят:

- устройство запирающее;
- крышка для внутренней ручки, цвет близкий RAL 9002;
- цилиндрический механизм 10/53 мм.

Вес, кг/шт.	2,8
Единица измерения	шт.
Норма поставки, шт.	1

Артикул	Код
RLT-403	407210400

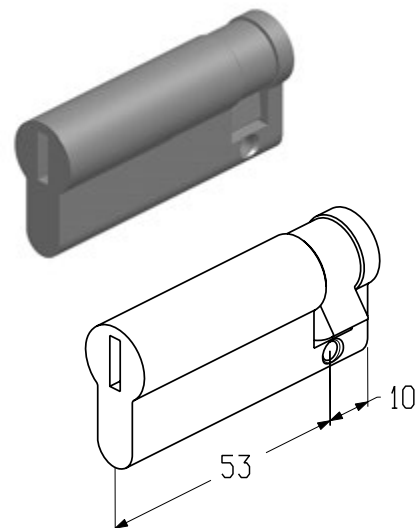


Цилиндрический механизм 10/53 мм

Используется совместно с устройством запирающим (RLT-403).

Вес, кг	0,19
Единица измерения	шт.
Норма поставки, шт.	1

Артикул	Код
C-10/53	418700054

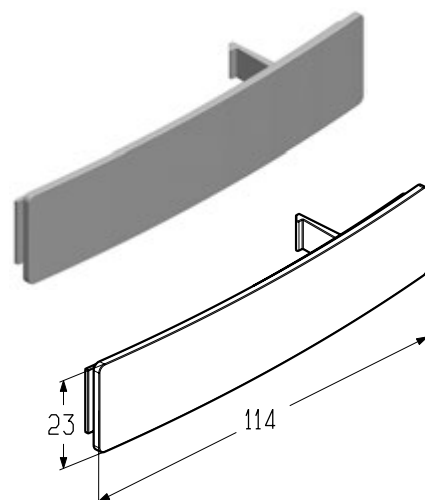


Крышка

Используется совместно с устройством запирающим (RLT-403).

Материал ABS
 Вес, кг/м 0,01
 Единица измерения шт.
 Норма поставки, шт. 1000

Артикул	Код	Цвет*
RLG003.226.01	407230000	RAL 9016
RLG003.226.02	407230100	RAL 8014
RLG003.226.03	407230200	RAL 9006
RLG003.226.04	407230300	RAL 5010
RLG003.226.09	407230400	RAL 6005
RLG003.226.10	407230500	RAL 1015
RLG003.226.12	407230600	RAL 3004
RLG003.226.15	407230700	RAL 9002
RLG003.226.16	407230800	RAL 7016
RLG003.226.17	407230900	RAL 8017
RLG003.226.18	407231000	RAL 9005

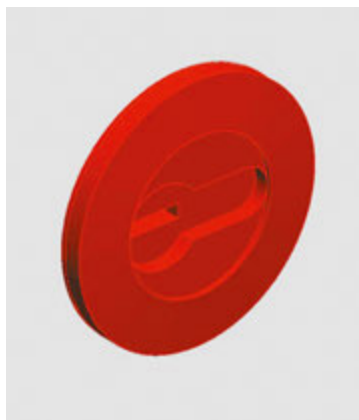


* Указанные цвета имеют близкое соответствие шкале RAL.

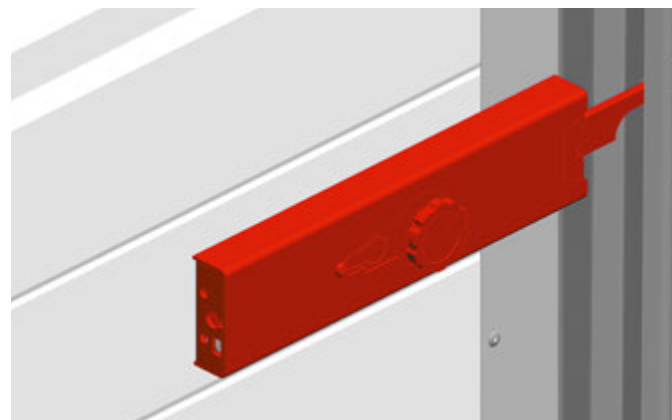
УСТАНОВКА ЗАМКА РИГЕЛЬНОГО

ПРОМЫШЛЕННЫЕ ВОРОТА

Внешняя сторона



Внутренняя сторона



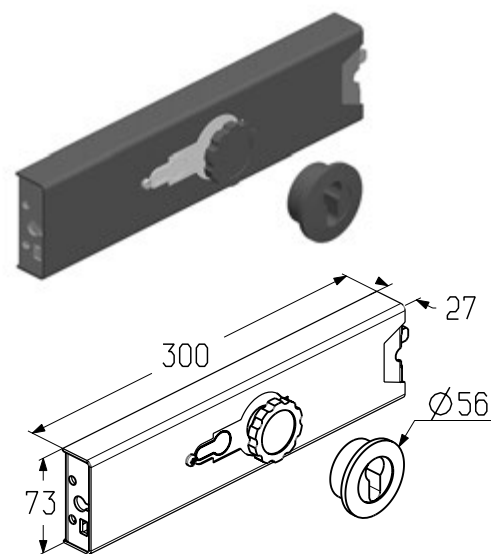
1.2

Замок ригельный

Предназначен для запираения промышленных ворот всех типов монтажа. Используется совместно с цилиндрическим механизмом 9/52 мм (C-9/52).

Вес, кг/шт. 1,85
Единица измерения шт.
Норма поставки, шт. 3

Артикул	Код
RLI0103	401970600

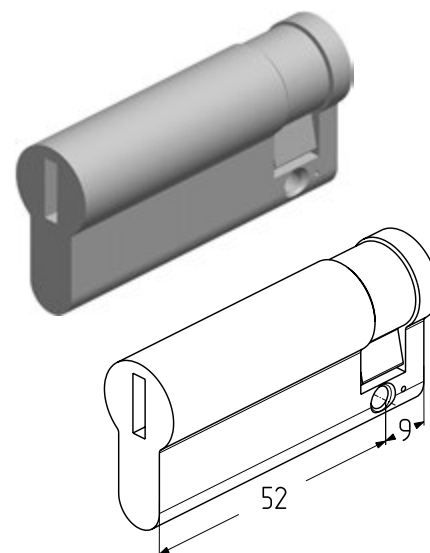


Цилиндрический механизм 9/52 мм

Предназначен для запираения промышленных ворот всех типов монтажа. Используется совместно с замком ригельным (RLI0103).

Вес, кг/шт. 0,25
Единица измерения шт.
Норма поставки, шт. 3

Артикул	Код
C-9/52	407280100



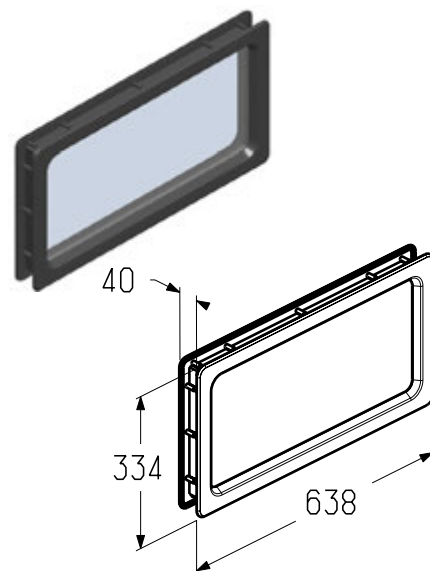
Вставка светопрозрачная

Используется:

- в гаражных воротах с пружинами растяжения и торсионными пружинами всех типов монтажа;
- в промышленных воротах всех типов монтажа.

Материал SAN
 Вес, кг/шт. 1,7
 Единица измерения шт.
 Норма поставки, шт. 192

Артикул	Код
W046-40	401985600



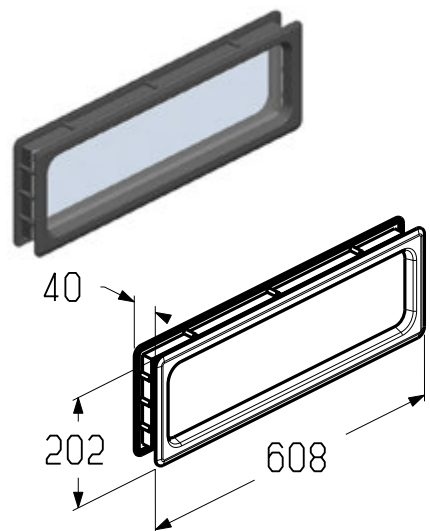
Вставка светопрозрачная

Используется:

- в гаражных воротах с пружинами растяжения и торсионными пружинами всех типов монтажа;
- в промышленных воротах всех типов монтажа.

Материал SAN
 Вес, кг/шт. 1,1
 Единица измерения шт.
 Норма поставки, шт. 12

Артикул	Код
W085-40	401985500



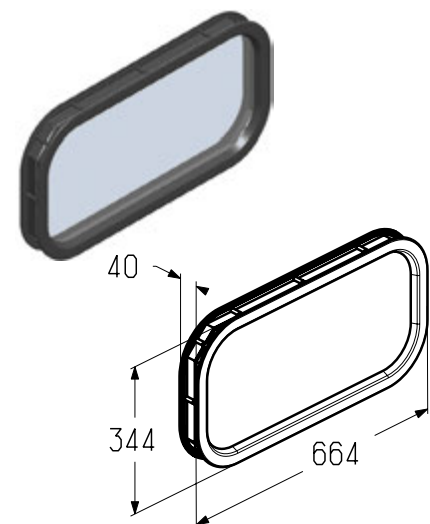
Вставка светопрозрачная

Используется:

- в гаражных воротах с пружинами растяжения и торсионными пружинами всех типов монтажа;
- в промышленных воротах всех типов монтажа.

Материал SAN
 Вес, кг/шт. 1,6
 Единица измерения шт.
 Норма поставки, шт. 192

Артикул	Код
W095-40	401985400



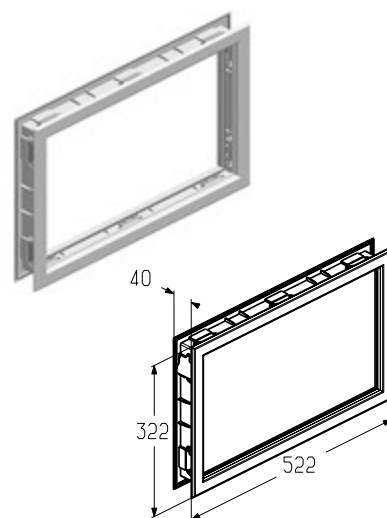
АКСЕССУАРЫ ДЛЯ СЕКЦИОННЫХ ВОРОТ

Комплект рамок

Используется для остекления гаражных и промышленных ворот с рисунком полотна микроволна, S-гофр, М-гофр, L-гофр, филенка в составе вставок светопрозрачных арт. **W043WH-CG40**, **W043BR-CG40**, **W043WH-TG40**, **W043BR-TG40**. Применяется совместно с заполнением светопрозрачным арт. **W043-CG**, **W043-TG**.

Материал	ABS
Вес, кг/шт.	1,95
Единица измерения	шт.
Норма поставки, шт.	10

Артикул	Код	Цвет
W043-WH40	401986500	Белый
W043-BR40	401986600	Коричневый



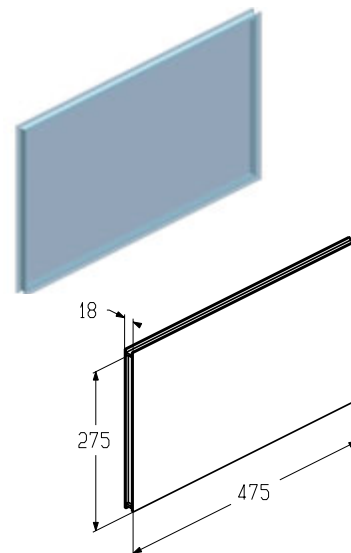
1.2

Заполнение светопрозрачное

Используется для остекления гаражных и промышленных ворот с рисунком полотна микроволна, S-гофр, М-гофр, L-гофр, филенка в составе вставок светопрозрачных арт. **W043WH-CG40**, **W043BR-CG40**, **W043WH-TG40**, **W043BR-TG40**. Применяется совместно с комплектом рамок оконных **W043-WH40**, **W043-BR40**.

Материал	SAN
Вес, кг/шт.	1,15
Единица измерения	шт.
Норма поставки, шт.	10

Артикул	Код	Тип остекления
W043-CG	401985900	SAN-остекление кристаллическое
W043-TG	401986000	SAN-остекление прозрачное

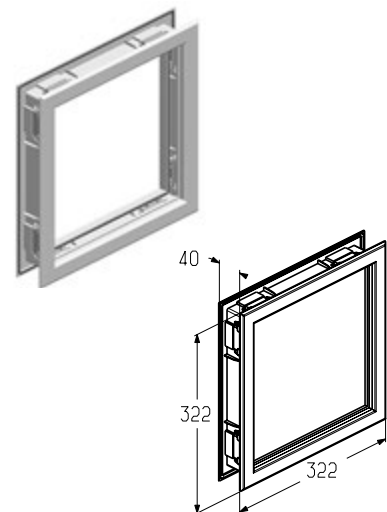


Комплект рамок

Используется для остекления гаражных и промышленных ворот с рисунком полотна микроволна, S-гофр, М-гофр, L-гофр в составе вставок светопрозрачных арт. **W050WH-CG40**, **W050BR-CG40**, **W050WH-40**, **W050BR-40**. Применяется совместно с заполнением светопрозрачным арт. **W050-CG**, **W050-TG**.

Материал	ABS
Вес, кг/шт.	1,59
Единица измерения	шт.
Норма поставки, шт.	10

Артикул	Код	Цвет
W050-WH40	401987300	Белый
W050-BR40	401987400	Коричневый

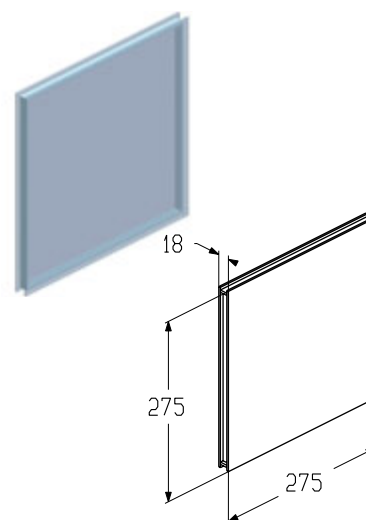


Заполнение светопрозрачное

Используется для остекления гаражных и промышленных ворот с рисунком полотна микроволна, S-гофр, M-гофр, L-гофр в составе вставок светопрозрачных арт. **W050WH-CG40, W050BR-CG40, W050WH-40, W050BR-40**. Применяется совместно с комплектом рамок оконных **W050-WH40, W050-BR40**.

Материал	SAN
Вес, кг/шт.	0,97
Единица измерения	шт.
Норма поставки, шт.	10

Артикул	Код	Тип остекления
W050-CG	401986300	SAN-остекление кристаллическое
W050-TG	401986100	SAN-остекление прозрачное

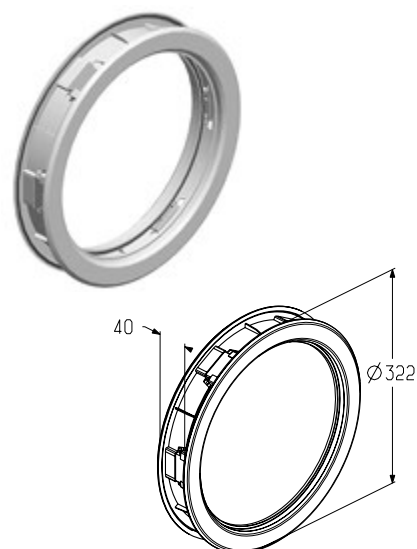


Комплект рамок

Используется для остекления гаражных и промышленных ворот с рисунком полотна микроволна, S-гофр, M-гофр, L-гофр в составе вставок светопрозрачных арт. **W060WH-CG40, W060BR-CG40, W060WH-40, W060BR-40**. Применяется совместно с заполнением светопрозрачным арт. **W060-CG, W060-TG**.

Материал	ABS
Вес, кг/шт.	1,47
Единица измерения	шт.
Норма поставки, шт.	10

Артикул	Код	Цвет
W060-WH40	401987500	Белый
W060-BR40	401987600	Коричневый

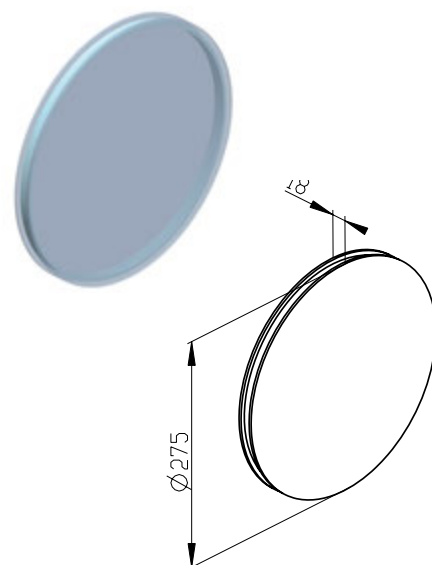


Заполнение светопрозрачное

Используется для остекления гаражных и промышленных ворот с рисунком полотна микроволна, S-гофр, M-гофр, L-гофр в составе вставок светопрозрачных арт. **W060WH-CG40, W060BR-CG40, W060WH-40, W060BR-40**. Применяется совместно с комплектом рамок оконных **W060-WH40, W060-BR40**.

Материал	SAN
Вес, кг/шт.	0,98
Единица измерения	шт.
Норма поставки, шт.	10

Артикул	Код	Тип остекления
W060-CG	401986400	SAN-остекление кристаллическое
W060-TG	401986200	SAN-остекление прозрачное



АКСЕССУАРЫ ДЛЯ СЕКЦИОННЫХ ВОРОТ

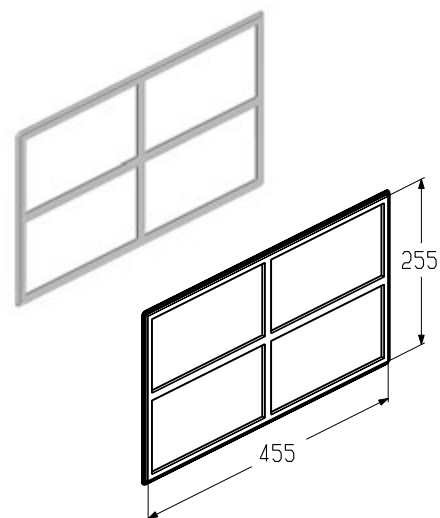
Вставка декоративная Cross

Предназначена для установки совместно со вставкой светопрозрачной (W043WH-CG/TG40, W043BR-CG/TG40). Используется:

- в гаражных воротах с пружинами растяжения и торсионными пружинами всех типов монтажа;
- в промышленных воротах всех типов монтажа.

Вес, кг/шт. 1,1
Единица измерения шт.
Норма поставки, шт. 80

Артикул	Код	Цвет
DIC043WH	401983400	Белый
DIC043BR	401983500	Коричневый



1.2

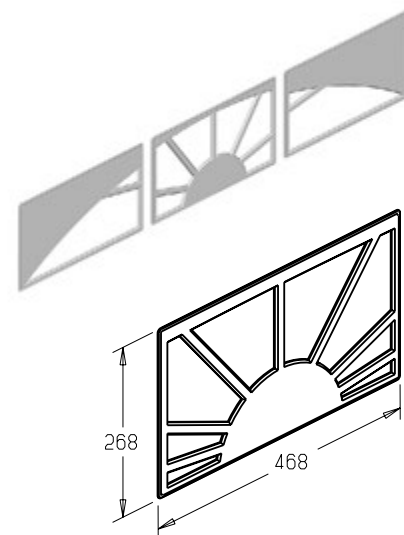
Комплект вставок декоративных Sunrise 3

Предназначена для установки совместно со вставкой светопрозрачной (W043WH-CG/TG40, W043BR-CG/TG40). Используется:

- в гаражных воротах с пружинами растяжения и торсионными пружинами всех типов монтажа;
- в промышленных воротах всех типов монтажа.

Вес, кг/шт. 0,49
Единица измерения шт.
Норма поставки, шт. 20

Артикул	Код	Цвет
DIS043WH-3	401982500	Белый
DIS043BR-3	401981900	Коричневый



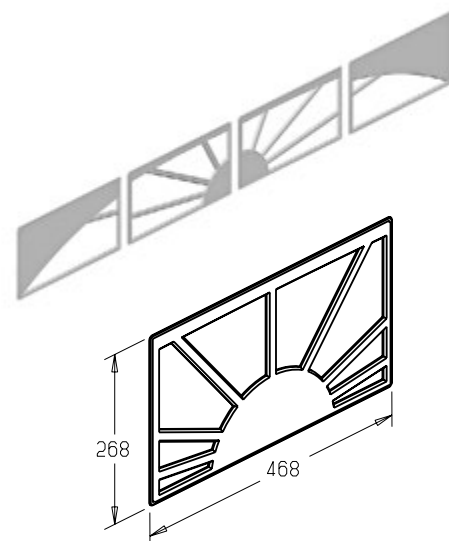
Комплект вставок декоративных Sunrise 4

Предназначена для установки совместно со вставкой светопрозрачной (W043WH-CG/TG40, W043BR-CG/TG40). Используется:

- в гаражных воротах с пружинами растяжения и торсионными пружинами всех типов монтажа;
- в промышленных воротах всех типов монтажа.

Вес, кг/шт. 0,58
Единица измерения шт.
Норма поставки, шт. 20

Артикул	Код	Цвет
DIS043WH-4	401981500	Белый
DIS043BR-4	401982600	Коричневый

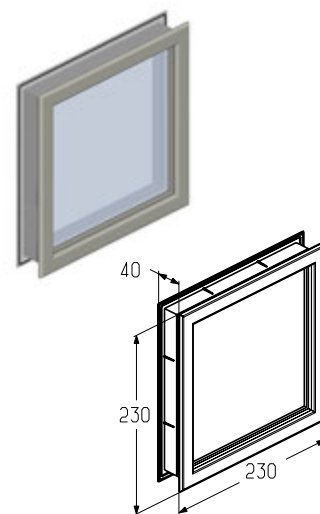


Вставка светопрозрачная

Используется для остекления гаражных и промышленных ворот с рисунком полотна микроволна, S-гофр, М-гофр, L-гофр.

Материал нержавеющая сталь
 Вес, кг/шт. 1,2
 Единица измерения шт.
 Норма поставки, шт. 1

Артикул	Код	Тип остекления
W51SS-40	401985700	Однокамерный пакет из акрилата

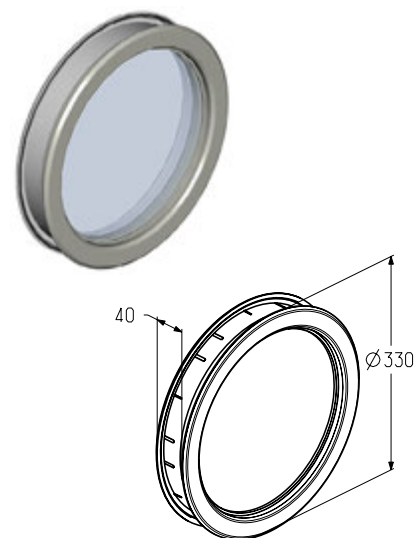


Вставка светопрозрачная

Используется для остекления гаражных и промышленных ворот с рисунком полотна микроволна, S-гофр, М-гофр, L-гофр.

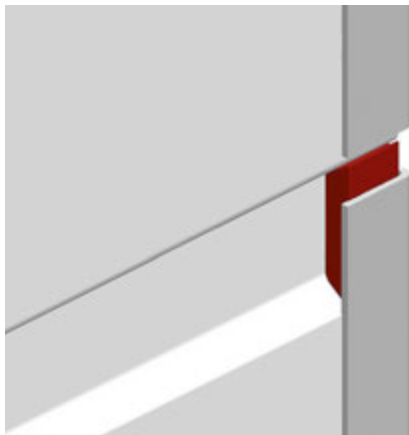
Материал нержавеющая сталь
 Вес, кг/шт. 1,2
 Единица измерения шт.
 Норма поставки, шт. 1

Артикул	Код	Тип остекления
W61SS-40	401985800	Безопасное стекло



УСТАНОВКА ЗАГЛУШЕК

Заглушка межпанельная
(P-1501)



Заглушка
(P-1502)



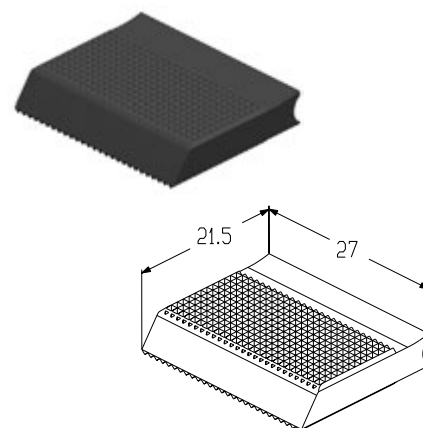
1.2

Заглушка межпанельная

Устанавливается совместно с боковой накладкой (EC-40.450R/L, EC-40.500R/L, EC-40.625R/L, EC-40.500DR/L, EC-40.625DR/L). Используется в гаражных воротах с пружинами растяжения и торсионными пружинами, промышленных воротах с рисунками полотна «S-гофр», «М-гофр» и «L-гофр».

Материал	TPER
Вес, кг/шт.	0,002
Единица измерения	шт.
Норма поставки, шт.	5000

Артикул	Код
P-1501	401990100

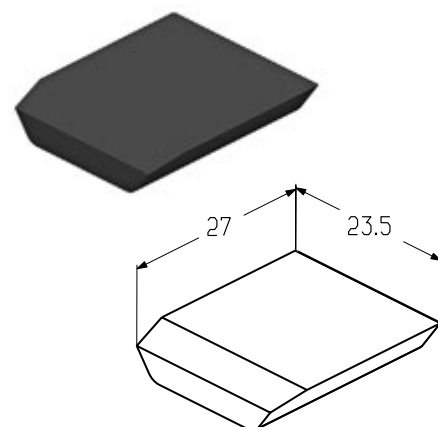


Заглушка

Устанавливается совместно с боковой накладкой (EC-40.450R/L, EC-40.500R/L, EC-40.625R/L). Используется в гаражных воротах с пружинами растяжения и торсионными пружинами, промышленных воротах с рисунками полотна «S-гофр» и «М-гофр».

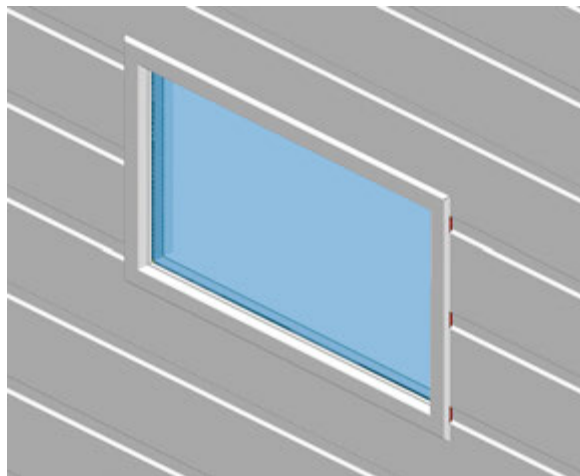
Материал	TPER
Вес, кг/шт.	0,001
Единица измерения	шт.
Норма поставки, шт.	5000

Артикул	Код
P-1502	401990200



УСТАНОВКА ЗАГЛУШКИ ОКОННОЙ

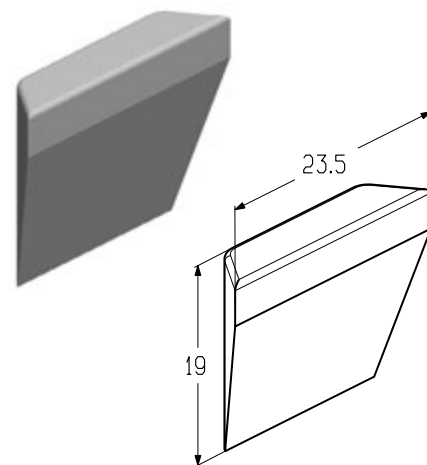
Заглушка оконная
(арт. P1012)



Заглушка оконная

Устанавливается совместно с окнами (W085-40, W095-40, W046-40, W043WH-CG/TG40, W043BR-CG/TG40, W050WH/BR-40, W050WH/BR-CG40, W060WH/BR-40, W060WH/BR-CG40).
Используется в гаражных воротах с пружинами растяжения и торсионными пружинами, промышленных воротах с рисунками полотна «S-гофр» и «M-гофр».

Материал полиуретан
Вес, кг/шт. 0,002
Единица измерения шт.
Норма поставки, шт 6000



Артикул	Код
P1012	401982400

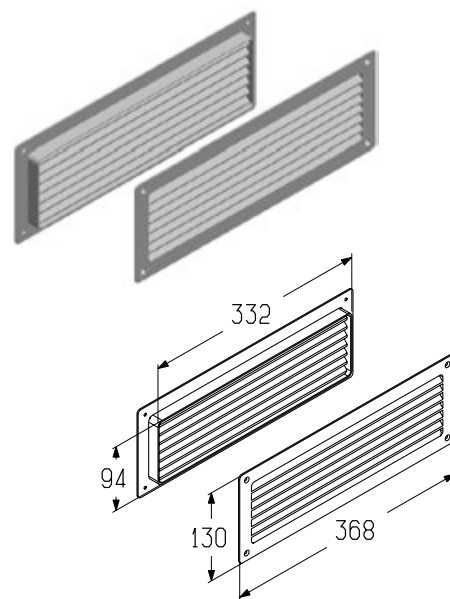
АКСЕССУАРЫ ДЛЯ СЕКЦИОННЫХ ВОРОТ

Решетка вентиляционная

Используется в гаражных воротах с пружинами растяжения и торсионными пружинами всех типов монтажа; в промышленных воротах всех типов монтажа с рисунками полотна микроволна, «S-гофр», «M-гофр» и «L-гофр».

Материал пластмасса
 Вес, кг/к-т 0,48
 Единица измерения к-т
 Норма поставки, к-т 10

Артикул	Код	Тип	Цвет с наружной стороны	Состав комплекта		
				арт.	код	кол-во
VG-368RWH	401900000	регулируемая	Белый	MV350Rs-W	4000358	1
				MV350s-W	4000357	1
				3,9×19 сверл.	1598	8
VG-368RBK	401900100	регулируемая	Черный	MV350Rs-W	4000358	1
				MV350s-B	4000359	1
				3,9×19 сверл.	1598	8
VG-368WH	401900200	нерегулируемая	Белый	MV350s-W	4000357	2
				3,9×19 сверл.	1598	8
VG-368BK	401900300	нерегулируемая	Черный	MV350s-W	4000357	1
				MV350s-B	4000359	1
				3,9×19 сверл.	1598	8



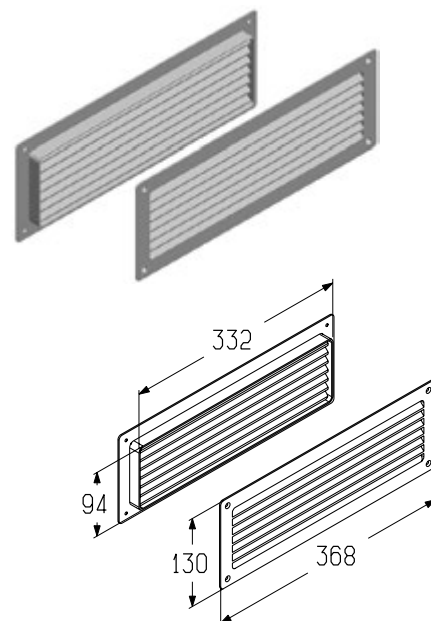
1.2

Решетка вентиляционная регулируемая (белая) Решетка вентиляционная нерегулируемая (белая/черная)

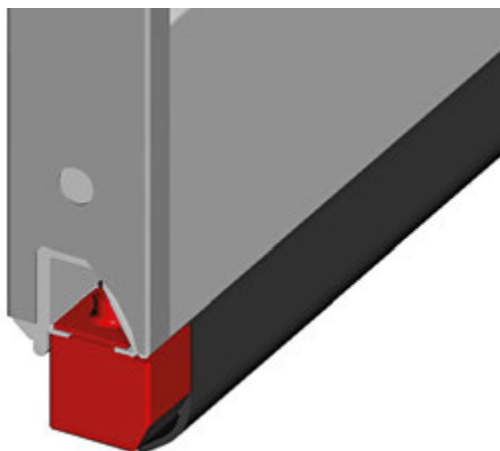
Используется в гаражных воротах с пружинами растяжения и торсионными пружинами всех типов монтажа; в промышленных воротах всех типов монтажа с рисунками полотна микроволна, «S-гофр», «M-гофр» и «L-гофр».

Материал пластмасса
 Единица измерения шт.
 Норма поставки, шт. 10

Артикул	Код	Тип решетки	Вес, кг	Цвет
MV350Rs-W	4000358	регулируемая	0,24	Белый
MV350s-W	4000357	нерегулируемая	0,16	Белый
MV350s-B	4000359		0,17	Черный



УСТАНОВКА УПОРА НИЖНЕГО

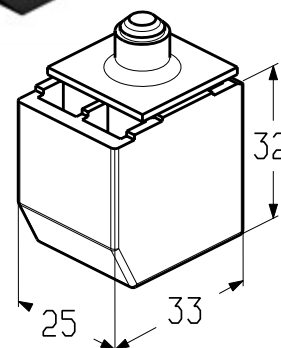


Упор нижний

Используется:

- в гаражных воротах с пружинами растяжения и торсионными пружинами всех типов монтажа;
- в промышленных воротах всех типов монтажа.

Материал HDPE
 Вес, кг/шт. 0,041
 Единица измерения шт.
 Норма поставки, шт. 500



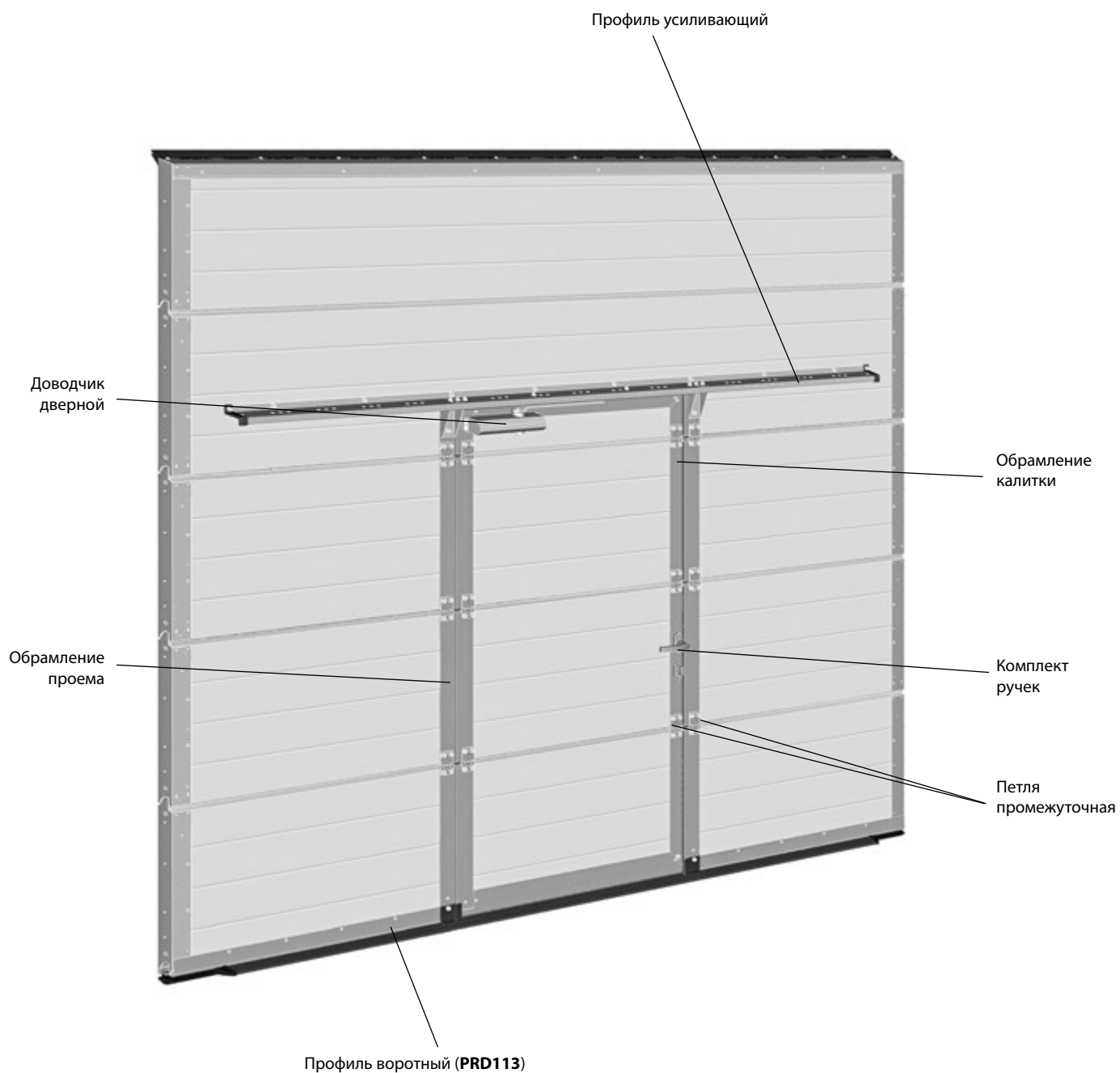
Артикул	Код
LS-1017	401940400



**ГАРАЖНЫЕ ВОРОТА TREND
ПРОМЫШЛЕННЫЕ ВОРОТА PROTREND**

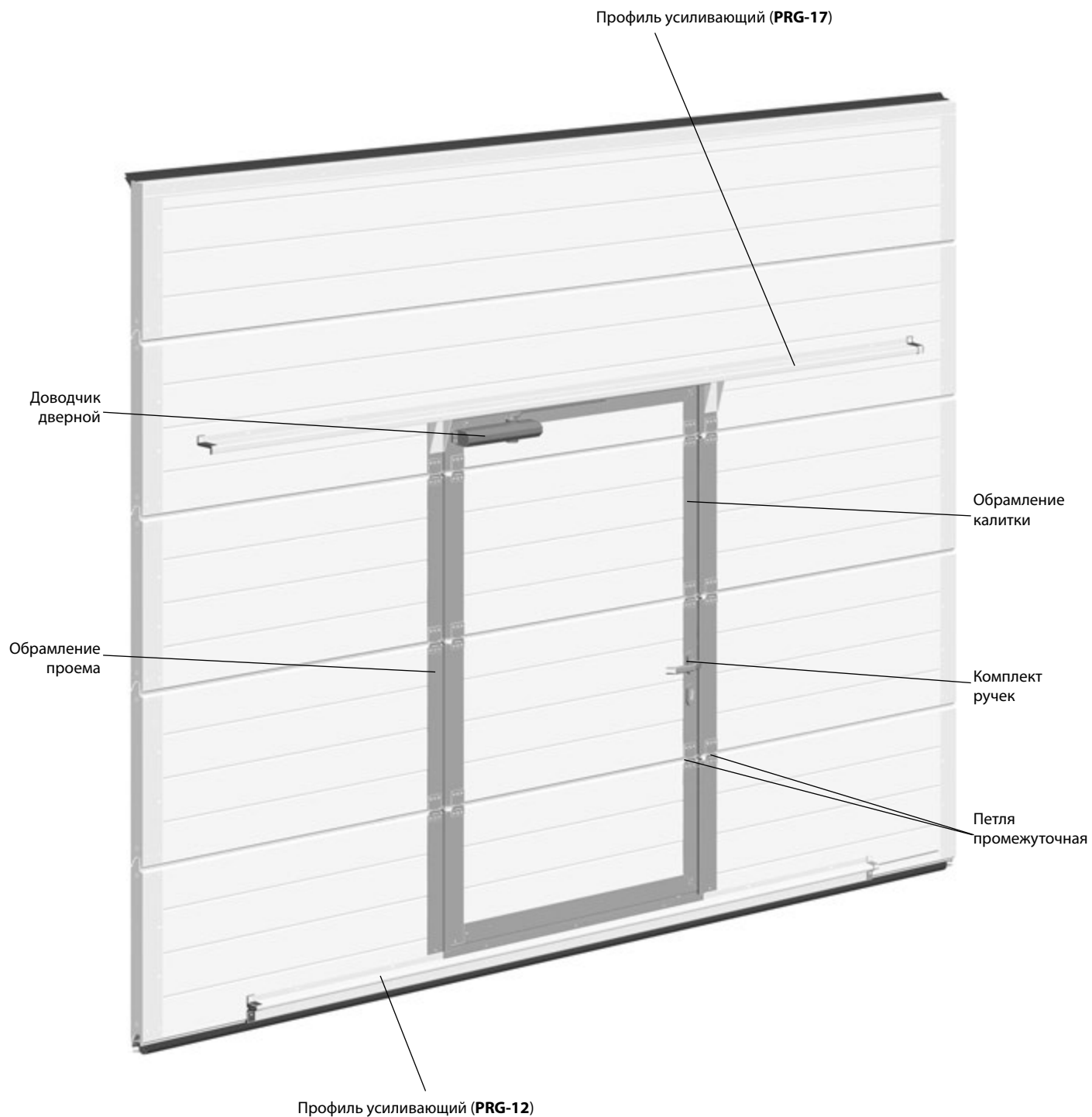
ВСТРОЕННАЯ КАЛИТКА

ТИПОВАЯ КОНСТРУКЦИЯ ВСТРОЕННОЙ КАЛИТКИ
ПЛОСКИЙ ПОРОГ

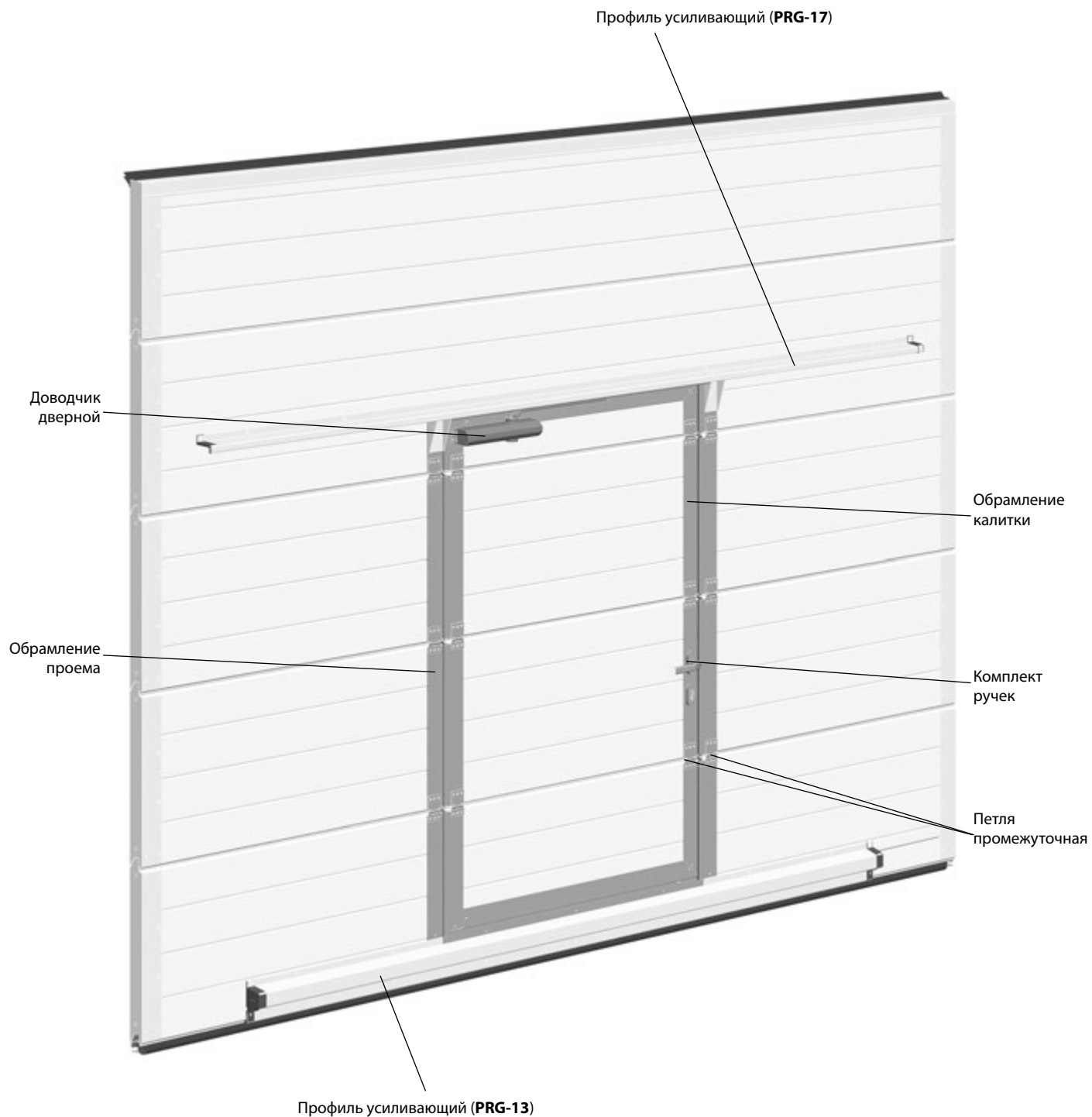


1.3

ТИПОВАЯ КОНСТРУКЦИЯ ВСТРОЕННОЙ КАЛИТКИ
НИЗКИЙ ПОРОГ

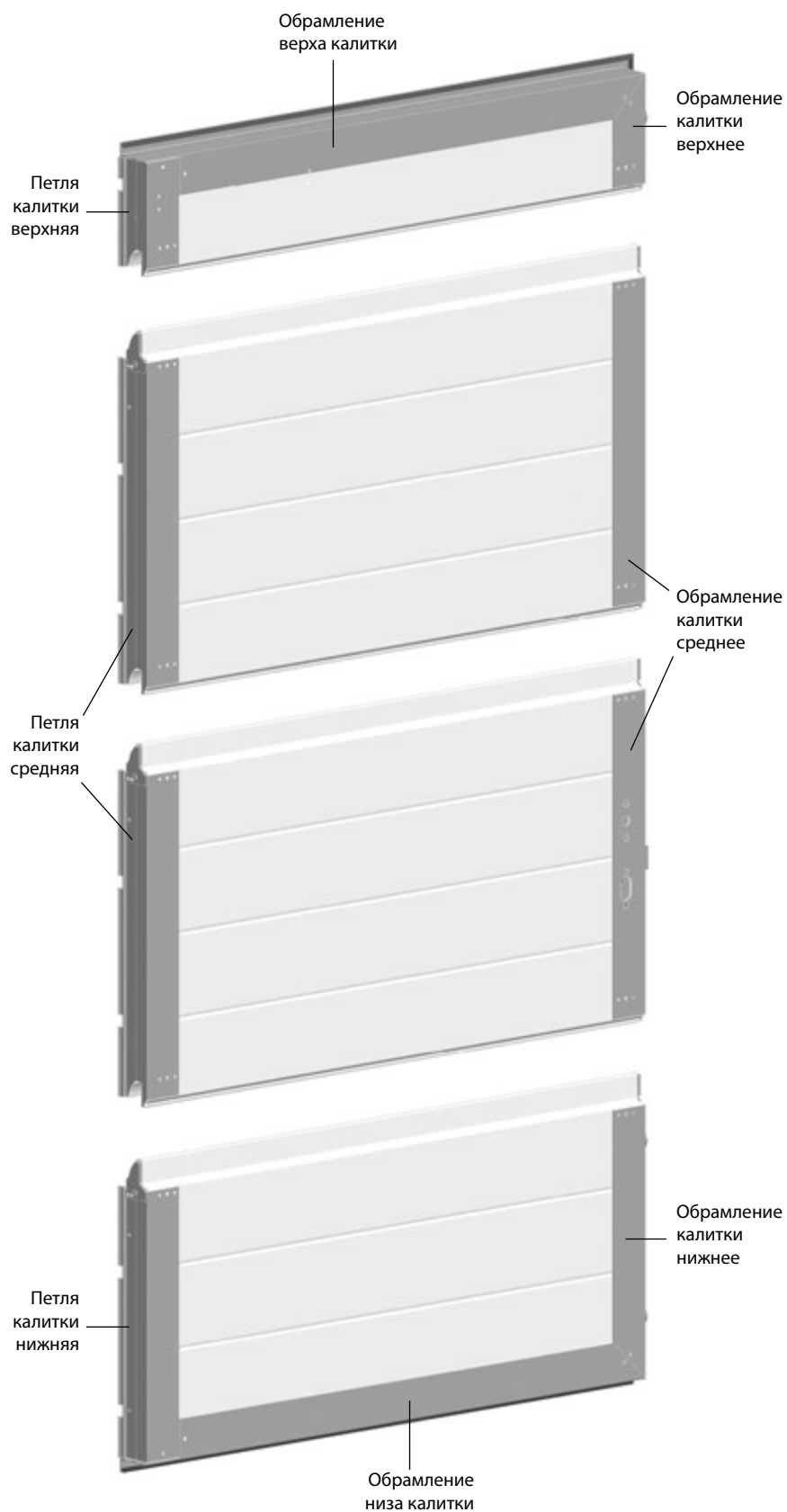


ТИПОВАЯ КОНСТРУКЦИЯ ВСТРОЕННОЙ КАЛИТКИ
СТАНДАРТНЫЙ ПОРОГ



1.3

УСТАНОВКА ПРОФИЛЕЙ ОБРАМЛЕНИЯ КАЛИТКИ

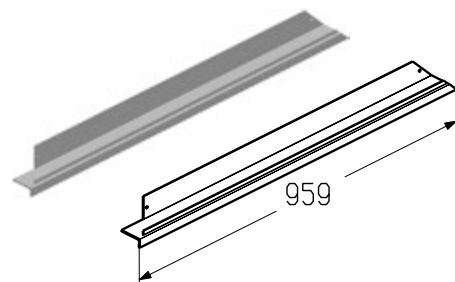


ОБРАМЛЕНИЕ КАЛИТКИ

Обрамление верха калитки

Предназначено для обрамления верхней калиточной панели. Используется в калитке с плоским, стандартным и низким порогом.

Длина, мм	959
Материал	алюминий
Вес, кг/шт.	0,673
Единица измерения	шт.
Норма поставки, шт.	10



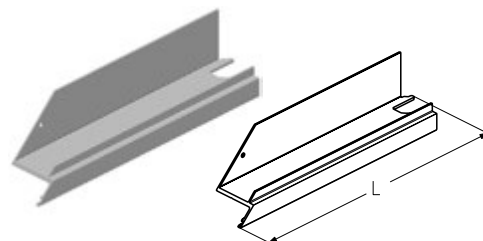
Артикул	Код	Покрытие	Цвет	Применение
WD-40.403R.203	404012791	Анодированное	A00-D6 (серебро)	Для ворот с правой калиткой
WD-40.403R.203	404013233	Порошковое	RAL 8019*	
WD-40.403L.203	404012691	Анодированное	A00-D6 (серебро)	Для ворот с левой калиткой
WD-40.403L.203	404013133	Порошковое	RAL 8019*	

1.3

Обрамление калитки верхнее

Предназначено для обрамления верхней калиточной панели. Используется в калитке с плоским, стандартным и низким порогом.

Материал	алюминий
Единица измерения	шт.
Норма поставки, шт.	10

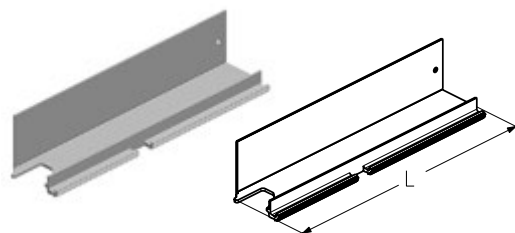


Артикул	Код	Покрытие	Цвет	Длина (L), мм	Вес, кг/шт.	Применение
WD-40.403R.202	404012391	Анодированное	A00-D6 (серебро)	191	0,115	Для ворот с правой калиткой
WD-40.403R.202	404012833	Порошковое	RAL 8019*			
WD-40.404R.202	404012591	Анодированное	A00-D6 (серебро)	316	0,197	
WD-40.404R.202	404013033	Порошковое	RAL 8019*			
WD-40.403L.202	404012291	Анодированное	A00-D6 (серебро)	191	0,115	Для ворот с левой калиткой
WD-40.403L.202	404012733	Порошковое	RAL 8019*			
WD-40.404L.202	404012491	Анодированное	A00-D6 (серебро)	316	0,197	
WD-40.404L.202	404012933	Порошковое	RAL 8019*			

Петля калитки верхняя

Предназначена для обрамления верхней калиточной панели. Используется в калитке с плоским, стандартным и низким порогом.

Материал	алюминий
Единица измерения	шт.
Норма поставки, шт.	10



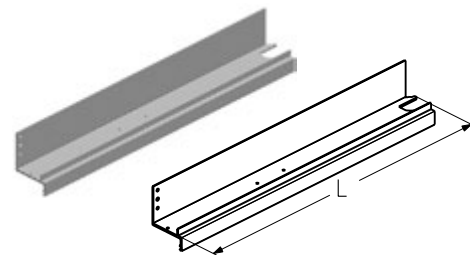
Артикул	Код	Покрытие	Цвет	Длина (L), мм	Вес, кг/шт.	Применение
WD-40.403R.201	404210591	Анодированное	A00-D6 (серебро)	156	0,123	Для ворот с правой калиткой
WD-40.403R.201	404211733	Порошковое	RAL 8019*			
WD-40.404R.201	404210791	Анодированное	A00-D6 (серебро)	281	0,223	
WD-40.404R.201	404211933	Порошковое	RAL 8019*			
WD-40.403L.201	404210491	Анодированное	A00-D6 (серебро)	156	0,123	Для ворот с левой калиткой
WD-40.403L.201	404211633	Порошковое	RAL 8019*			
WD-40.404L.201	404210691	Анодированное	A00-D6 (серебро)	281	0,223	
WD-40.404L.201	404211833	Порошковое	RAL 8019*			

* Указанные цвета имеют близкое соответствие шкале RAL.

Обрамление калитки среднее

Предназначено для обрамления третьей или четвертой калиточной панели. Используется в калитке с плоским, стандартным и низким порогом.

Материал алюминий
Единица измерения шт.
Норма поставки, шт. 10

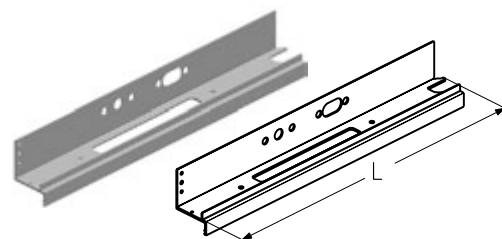


Артикул	Код	Покрытие	Цвет	Длина (L), мм	Вес, кг/шт.	Применение
WD-40.350R.202	404011991	Анодированное	A00-D6 (серебро)	479	0,352	Для ворот с правой калиткой
WD-40.350R.202	404012433	Порошковое	RAL 8019*			
WD-40.360R.202	404012191	Анодированное	A00-D6 (серебро)	604	0,445	
WD-40.360R.202	404012633	Порошковое	RAL 8019*			
WD-40.350L.202	404011891	Анодированное	A00-D6 (серебро)	479	0,352	Для ворот с левой калиткой
WD-40.350L.202	404012333	Порошковое	RAL 8019*			
WD-40.360L.202	404012091	Анодированное	A00-D6 (серебро)	604	0,445	
WD-40.360L.202	404012533	Порошковое	RAL 8019*			

Обрамление калитки среднее

Предназначено для обрамления второй или третьей калиточной панели. Используется в калитке с плоским, стандартным и низким порогом.

Материал алюминий
Единица измерения шт.
Норма поставки, шт. 10

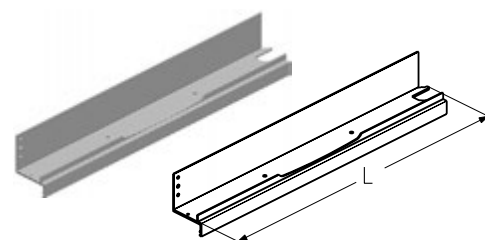


Артикул	Код	Покрытие	Цвет	Длина (L), мм	Вес, кг/шт.	Применение
WD-40.250R.202	404011191	Анодированное	A00-D6 (серебро)	479	0,323	Для ворот с правой калиткой
WD-40.250R.202	404011633	Порошковое	RAL 8019*			
WD-40.260R.202	404011391	Анодированное	A00-D6 (серебро)	604	0,416	
WD-40.260R.202	404011833	Порошковое	RAL 8019*			
WD-40.250L.202	404011091	Анодированное	A00-D6 (серебро)	479	0,323	Для ворот с левой калиткой
WD-40.250L.202	404013333	Порошковое	RAL 8019*			
WD-40.260L.202	404011291	Анодированное	A00-D6 (серебро)	604	0,416	
WD-40.260L.202	404011733	Порошковое	RAL 8019*			

Обрамление калитки среднее

Предназначено для обрамления второй или третьей калиточной панели. Используется в калитке с плоским, стандартным и низким порогом с замком «анти-паник».

Материал алюминий
Единица измерения шт.
Норма поставки, шт. 10



Артикул	Код	Покрытие	Цвет	Длина (L), мм	Вес, кг/шт.	Применение
WD-40.250RA.202	404011591	Анодированное	A00-D6 (серебро)	479	0,323	Для ворот с правой калиткой
WD-40.250RA.202	404012033	Порошковое	RAL 8019*			
WD-40.260RA.202	404011791	Анодированное	A00-D6 (серебро)	604	0,416	
WD-40.260RA.202	404012233	Порошковое	RAL 8019*			
WD-40.250LA.202	404011491	Анодированное	A00-D6 (серебро)	479	0,323	Для ворот с левой калиткой
WD-40.250LA.202	404011933	Порошковое	RAL 8019*			
WD-40.260LA.202	404011691	Анодированное	A00-D6 (серебро)	604	0,416	
WD-40.260LA.202	404012133	Порошковое	RAL 8019*			

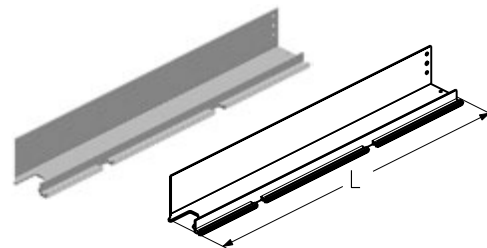
* Указанные цвета имеют близкое соответствие шкале RAL.

ОБРАМЛЕНИЕ КАЛИТКИ

Петля калитки средняя

Предназначена для обрамления четвертой, третьей и второй калиточной панели. Используется в калитке с плоским, стандартным и низким порогом.

Материал алюминий
 Единица измерения шт.
 Норма поставки, шт. 10



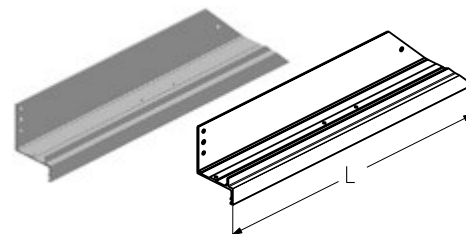
Артикул	Код	Покрытие	Цвет	Длина (L), мм	Вес, кг/шт.	Применение
WD-40.250R.201	404220391	Анодированное	A00-D6 (серебро)	479	0,386	Для ворот с правой калиткой
WD-40.250R.201	404221333	Порошковое	RAL 8019*			
WD-40.260R.201	404220591	Анодированное	A00-D6 (серебро)	604	0,490	
WD-40.260R.201	404221533	Порошковое	RAL 8019*			
WD-40.250L.201	404220291	Анодированное	A00-D6 (серебро)	479	0,386	Для ворот с левой калиткой
WD-40.250L.201	404221233	Порошковое	RAL 8019*			
WD-40.260L.201	404220491	Анодированное	A00-D6 (серебро)	604	0,490	
WD-40.260L.201	404221433	Порошковое	RAL 8019*			

1.3

Обрамление калитки нижнее

Предназначено для обрамления нижней калиточной панели. Используется в калитке со стандартным порогом.

Материал алюминий
 Единица измерения шт.
 Норма поставки, шт. 20

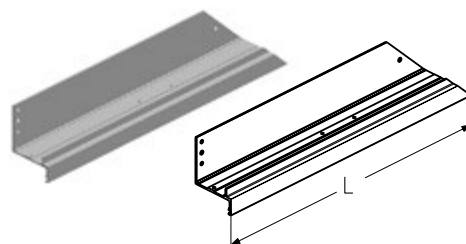


Артикул	Код	Покрытие	Цвет	Длина (L), мм	Вес, кг/шт.	Применение
WD-40.152R.202	404032591	Анодированное	A00-D6 (серебро)	377	0,258	Для ворот с правой калиткой
WD-40.152R.202	404033133	Порошковое	RAL 8019*			
WD-40.162R.202	404033191	Анодированное	A00-D6 (серебро)	502	0,351	
WD-40.162R.202	404033733	Порошковое	RAL 8019*			
WD-40.152L.202	404032491	Анодированное	A00-D6 (серебро)	377	0,258	Для ворот с левой калиткой
WD-40.152L.202	404033033	Порошковое	RAL 8019*			
WD-40.162L.202	404033091	Анодированное	A00-D6 (серебро)	502	0,351	
WD-40.162L.202	404033633	Порошковое	RAL 8019*			

Обрамление калитки нижнее

Предназначено для обрамления нижней калиточной панели. Используется в калитке с низким порогом.

Материал алюминий
 Единица измерения шт.
 Норма поставки, шт. 20



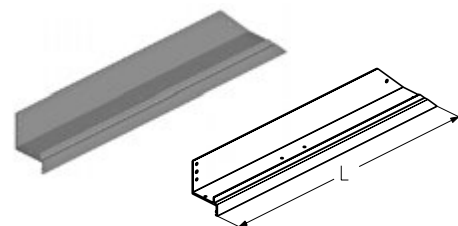
Артикул	Код	Покрытие	Цвет	Длина (L), мм	Вес, кг/шт.	Применение
WD-40.151R.202	404032391	Анодированное	A00-D6 (серебро)	422	0,291	Для ворот с правой калиткой
WD-40.151R.202	404032933	Порошковое	RAL 8019*			
WD-40.161R.202	404032991	Анодированное	A00-D6 (серебро)	547	0,385	
WD-40.161R.202	404033533	Порошковое	RAL 8019*			
WD-40.151L.202	404032291	Анодированное	A00-D6 (серебро)	422	0,291	Для ворот с левой калиткой
WD-40.151L.202	404032833	Порошковое	RAL 8019*			
WD-40.161L.202	404032891	Анодированное	A00-D6 (серебро)	547	0,385	
WD-40.161L.202	404033433	Порошковое	RAL 8019*			

* Указанные цвета имеют близкое соответствие шкале RAL.

Обрамление калитки нижнее

Предназначено для обрамления нижней калиточной панели. Используется в калитке с плоским порогом.

Материал алюминий
Единица измерения шт.
Норма поставки, шт. 20

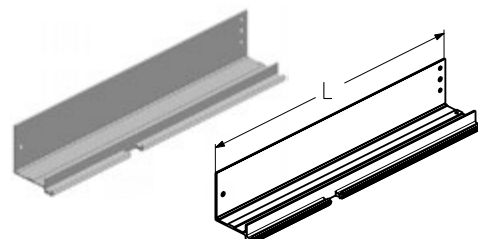


Артикул	Код	Покрытие	Цвет	Длина (L), мм	Вес, кг/шт.	Применение
WD-40.153R.202	404032791	Анодированное	A00-D6 (серебро)	478,5	0,333	Для ворот с правой калиткой
WD-40.153R.202	404033333	Порошковое	RAL 8019*			
WD-40.163R.202	404033391	Анодированное	A00-D6 (серебро)	603,5	0,437	
WD-40.163R.202	404033933	Порошковое	RAL 8019*			
WD-40.153L.202	404032691	Анодированное	A00-D6 (серебро)	478,5	0,333	Для ворот с левой калиткой
WD-40.153L.202	404033233	Порошковое	RAL 8019*			
WD-40.163L.202	404033291	Анодированное	A00-D6 (серебро)	603,5	0,437	
WD-40.163L.202	404033833	Порошковое	RAL 8019*			

Петля калитки нижняя

Предназначена для обрамления нижней калиточной панели. Используется в калитке со стандартным порогом.

Материал алюминий
Единица измерения шт.
Норма поставки, шт. 20

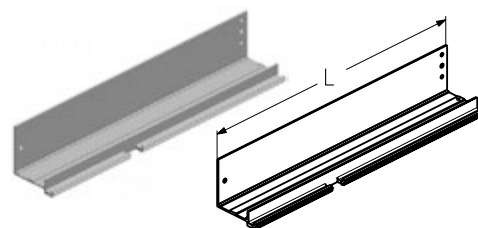


Артикул	Код	Покрытие	Цвет	Длина (L), мм	Вес, кг/шт.	Применение
WD-40.152R.201	404234091	Анодированное	A00-D6 (серебро)	355	0,290	Для ворот с правой калиткой
WD-40.152R.201	404234033	Порошковое	RAL 8019*			
WD-40.162R.201	404234691	Анодированное	A00-D6 (серебро)	480	0,392	
WD-40.162R.201	404234633	Порошковое	RAL 8019*			
WD-40.152L.201	404233991	Анодированное	A00-D6 (серебро)	355	0,290	Для ворот с левой калиткой
WD-40.152L.201	404233933	Порошковое	RAL 8019*			
WD-40.162L.201	404234591	Анодированное	A00-D6 (серебро)	480	0,392	
WD-40.162L.201	404234533	Порошковое	RAL 8019*			

Петля калитки нижняя

Предназначена для обрамления нижней калиточной панели. Используется в калитке с низким порогом.

Материал алюминий
Единица измерения шт.
Норма поставки, шт. 20



Артикул	Код	Покрытие	Цвет	Длина (L), мм	Вес, кг/шт.	Применение
WD-40.151R.201	404233891	Анодированное	A00-D6 (серебро)	400	0,325	Для ворот с правой калиткой
WD-40.151R.201	404233833	Порошковое	RAL 8019*			
WD-40.161R.201	404234491	Анодированное	A00-D6 (серебро)	525	0,430	
WD-40.161R.201	404234433	Порошковое	RAL 8019*			
WD-40.151L.201	404233791	Анодированное	A00-D6 (серебро)	400	0,325	Для ворот с левой калиткой
WD-40.151L.201	404233733	Порошковое	RAL 8019*			
WD-40.161L.201	404234391	Анодированное	A00-D6 (серебро)	525	0,430	
WD-40.161L.201	404234333	Порошковое	RAL 8019*			

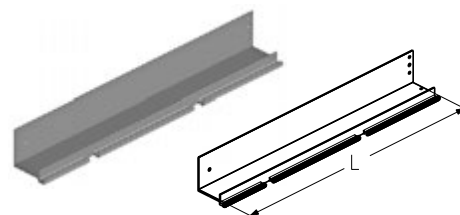
* Указанные цвета имеют близкое соответствие шкале RAL.

ОБРАМЛЕНИЕ КАЛИТКИ

Петля калитки нижняя

Предназначена для обрамления нижней калиточной панели. Используется в калитке с плоским порогом.

Материал алюминий
 Единица измерения шт.
 Норма поставки, шт. 20



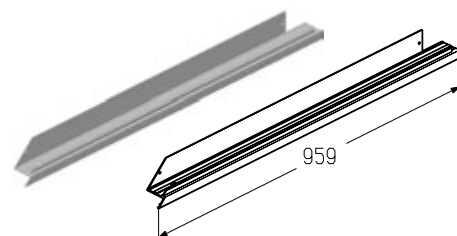
Артикул	Код	Покрытие	Цвет	Длина (L), мм	Вес, кг/шт.	Применение
WD-40.153R.201	404234291	Анодированное	A00-D6 (серебро)	456,5	0,371	Для ворот с правой калиткой
WD-40.153R.201	404234233	Порошковое	RAL 8019*			
WD-40.163R.201	404234891	Анодированное	A00-D6 (серебро)	581,5	0,479	
WD-40.163R.201	404234833	Порошковое	RAL 8019*			
WD-40.153L.201	404234191	Анодированное	A00-D6 (серебро)	456,5	0,371	Для ворот с левой калиткой
WD-40.153L.201	404234133	Порошковое	RAL 8019*			
WD-40.163L.201	404234791	Анодированное	A00-D6 (серебро)	581,5	0,479	
WD-40.163L.201	404234733	Порошковое	RAL 8019*			

1.3

Обрамление низа калитки

Предназначено для обрамления нижней калиточной панели. Используется в калитке со стандартным и низким порогом.

Длина, мм 959
 Вес, кг/м 0,673
 Материал алюминий
 Единица измерения шт.

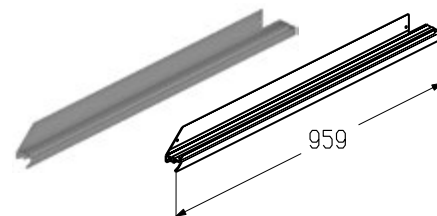


Артикул	Код	Покрытие	Цвет	Применение
WD-40.151R.203	404033591	Анодированное	A00-D6 (серебро)	Для ворот с правой калиткой
WD-40.151R.203	404034133	Порошковое	RAL 8019*	
WD-40.151L.203	404033491	Анодированное	A00-D6 (серебро)	Для ворот с левой калиткой
WD-40.151L.203	404034033	Порошковое	RAL 8019*	

Обрамление низа калитки

Предназначено для обрамления нижней калиточной панели. Используется в калитке с плоским порогом.

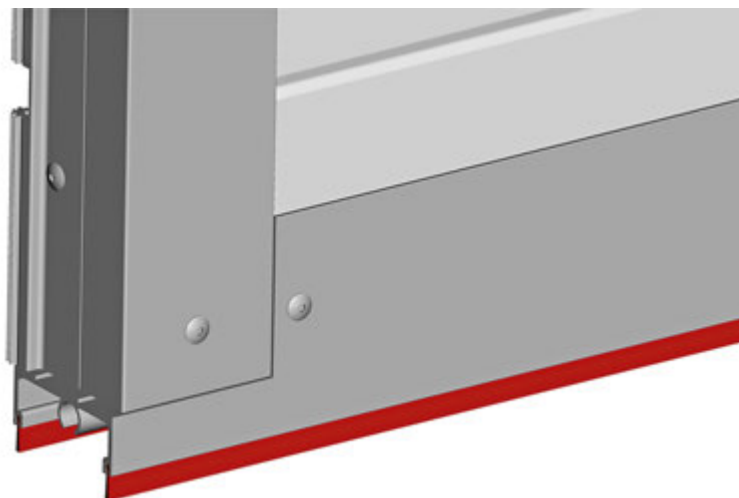
Длина, мм 959
 Вес, кг/м 0,899
 Материал алюминий



Артикул	Код	Покрытие	Цвет	Применение
WD-40.153R.203	404033791	Анодированное	A00-D6 (серебро)	Для ворот с правой калиткой
WD-40.153R.203	404034333	Порошковое	RAL 8019*	
WD-40.153L.203	404033691	Анодированное	A00-D6 (серебро)	Для ворот с левой калиткой
WD-40.153L.203	404034233	Порошковое	RAL 8019*	

* Указанные цвета имеют близкое соответствие шкале RAL.

УСТАНОВКА ВСТАВКИ-ЩЕТКИ

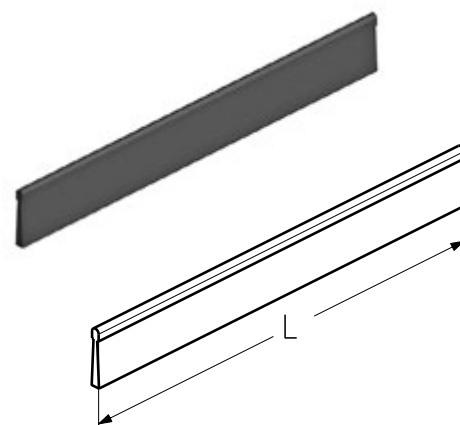


Вставка-щетка

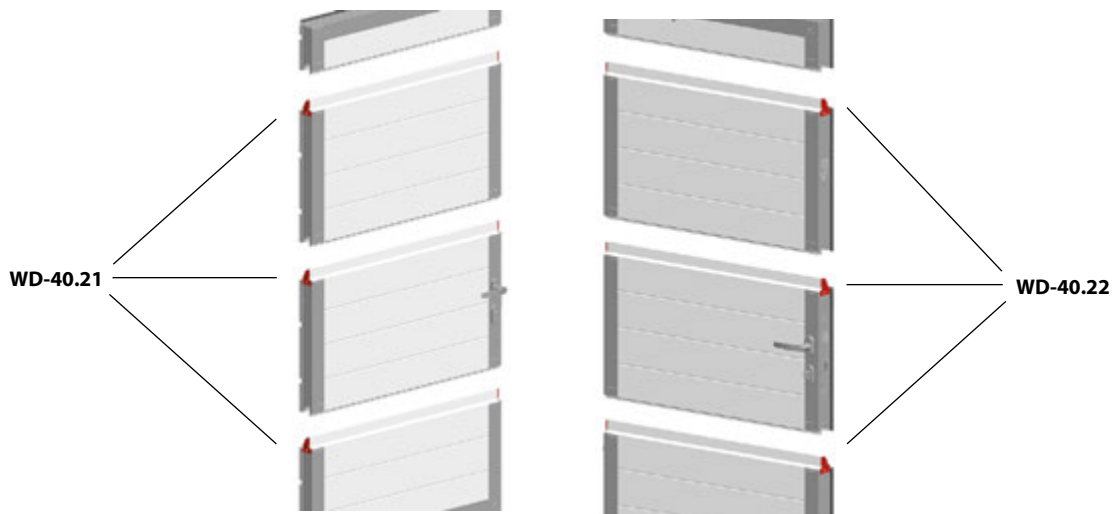
Предназначена для герметизации нижней части проема калитки. Используется в калитке с плоским порогом.

Вес, кг/шт. 0,023
 Единица измерения м
 Норма поставки, м 300

Артикул	Код
BS11	404407000



УСТАНОВКА ЗАГЛУШКИ



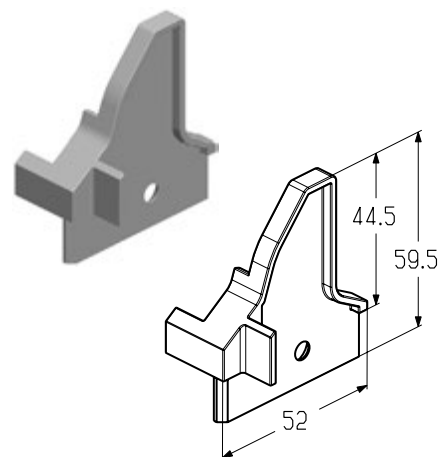
1.3

Заглушка

Устанавливается совместно с обрамлением калитки в нижней и промежуточных панелях. Используется в калитке с плоским, стандартным и низким порогом.

Материал PA
 Вес, кг/шт. 0,01
 Единица измерения шт.
 Норма поставки, шт. 600

Артикул	Код	Цвет	Применение
WD-40.22R-GR	401715100	Серый	Для ворот с правой калиткой
WD-40.22R-BR	401715200	Коричневый	
WD-40.22L-GR	401715300	Серый	Для ворот с левой калиткой
WD-40.22L-BR	401715400	Коричневый	

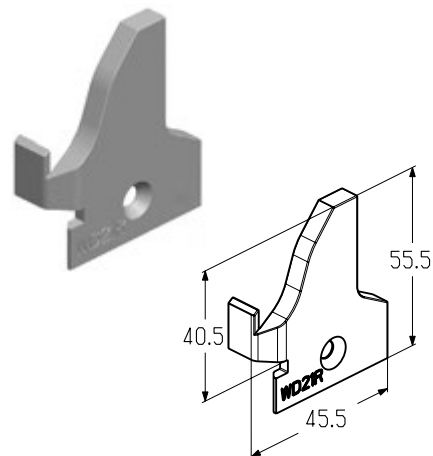


Заглушка

Устанавливается совместно с петлей калитки в нижней и промежуточных панелях. Используется в калитке с плоским, стандартным и низким порогом.

Материал PA
 Вес, кг/шт. 0,007
 Единица измерения шт.
 Норма поставки, шт. 1000

Артикул	Код	Цвет	Применение
WD-40.21R-GR	401714700	Серый	Для ворот с правой калиткой
WD-40.21R-BR	401714800	Коричневый	
WD-40.21L-GR	401714900	Серый	Для ворот с левой калиткой
WD-40.21L-BR	401715000	Коричневый	



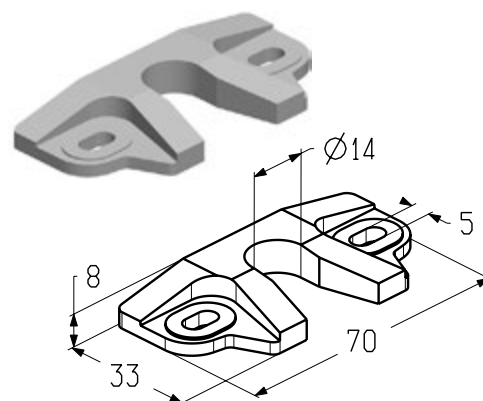
УСТАНОВКА ЛОВИТЕЛЯ



Ловитель

Устанавливается на обрамление калитки в первой и третьей панелях. Используется в калитке с плоским, стандартным и низким порогом.

Материал PA
 Вес, кг/шт. 0,006
 Единица измерения шт.
 Норма поставки, шт. 80

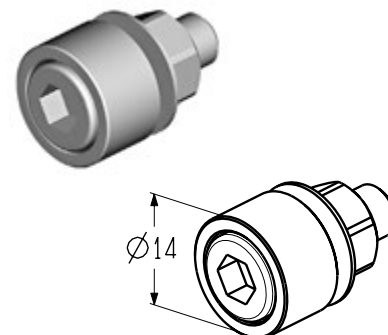


Артикул	Код
WD2011	401730100

Комплект опоры ловителя

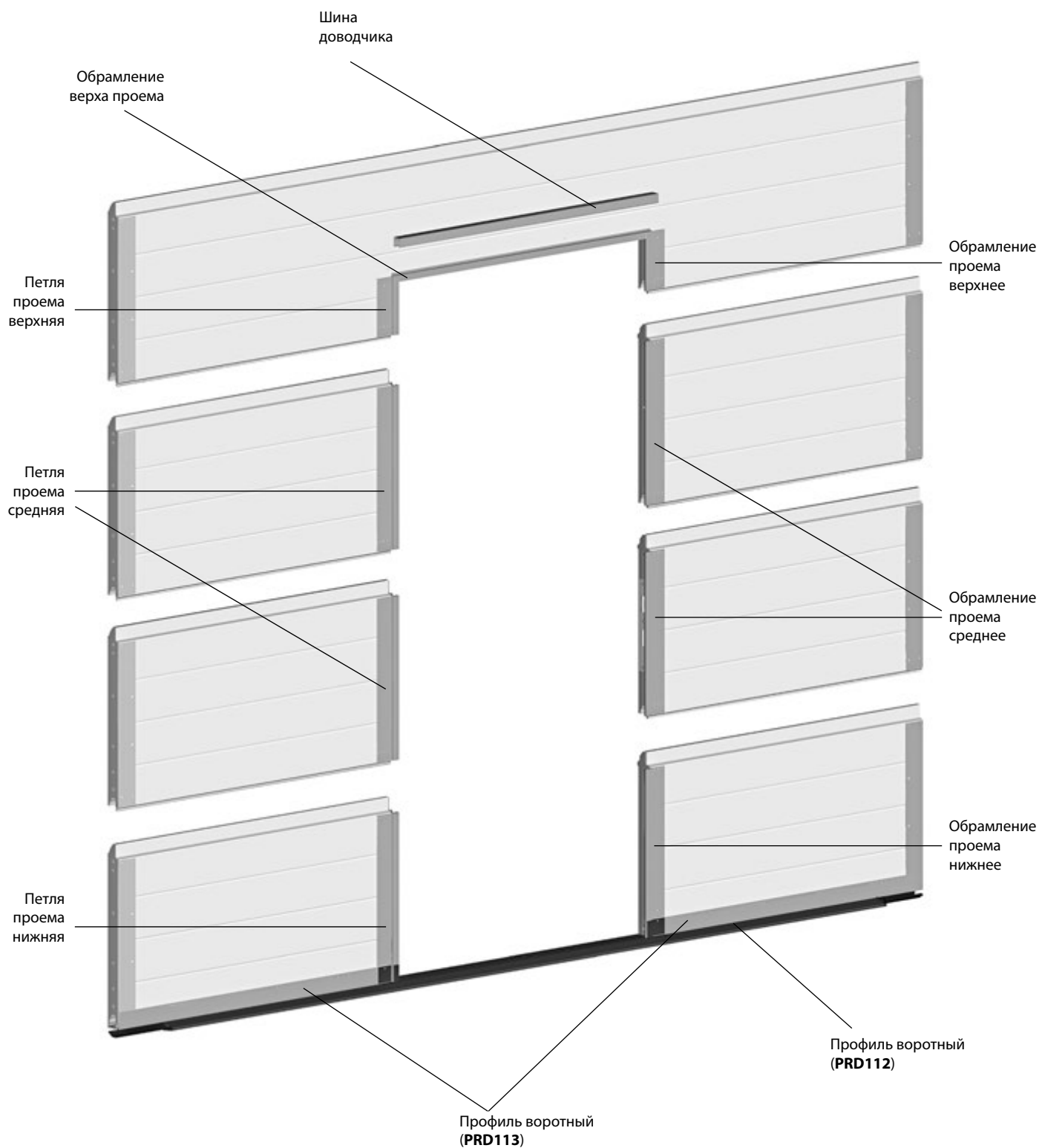
Применяется совместно с ловителем (**WD2011**). Устанавливается на обрамление проема в первой и третьей панелях. Используется в калитке с плоским, стандартным и низким порогом.

Материал нержавеющая сталь
 Вес, кг/шт. 0,01
 Единица измерения шт.
 Норма поставки, шт. 1000



Артикул	Код
WD2031	401730200

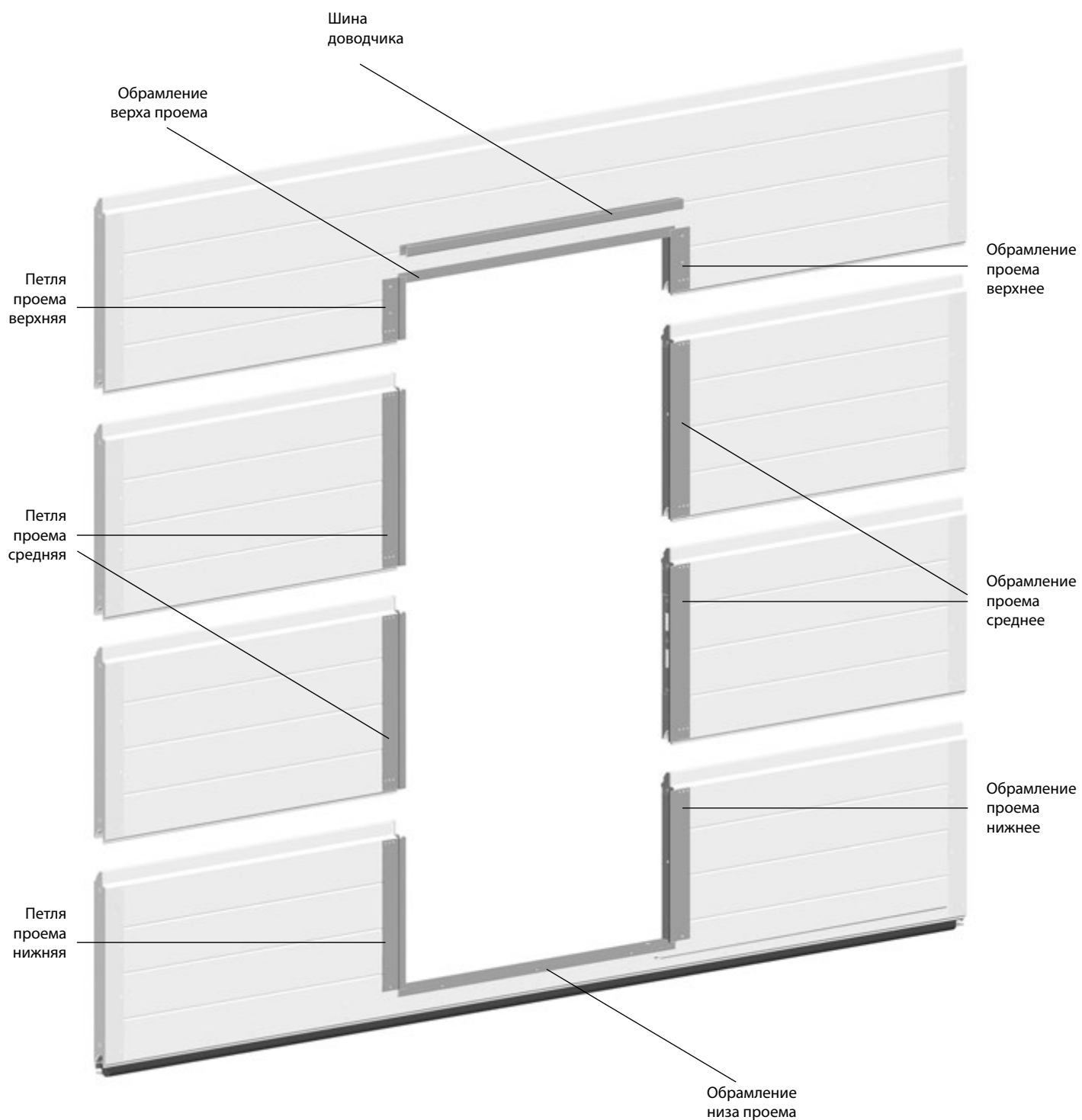
КАЛИТКА
ПЛОСКИЙ ПОРОГ 18 ММ



1.3

КАЛИТКА

НИЗКИЙ (ВЫСОТОЙ 100 ММ) И СТАНДАРТНЫЙ ПОРОГ (ВЫСОТОЙ 145 ММ)

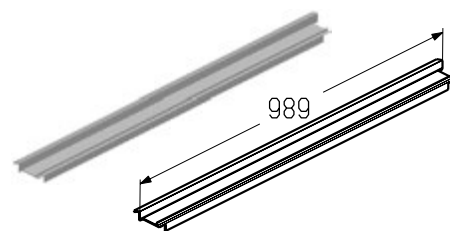


ОБРАМЛЕНИЕ ПРОЕМА

Обрамление верха проема

Предназначено для обрамления проема верхней панели. Используется в калитке с плоским, стандартным и низким порогом.

Длина, мм	989
Материал	алюминий
Вес, кг/шт.	0,627
Единица измерения	шт.
Норма поставки, шт.	10



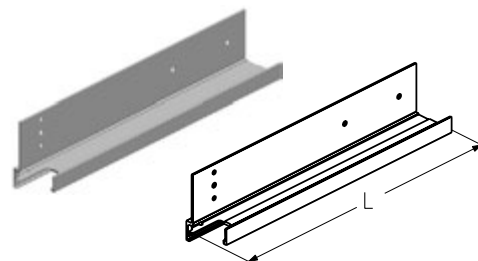
Артикул	Код	Покрытие	Цвет	Применение
WD-40.403R.103	404111191	Анодированное	A00-D6 (серебро)	Для ворот с правой калиткой
WD-40.403R.103	404111633	Порошковое	RAL 8019*	
WD-40.403L.103	404111091	Анодированное	A00-D6 (серебро)	Для ворот с левой калиткой
WD-40.403L.103	404111533	Порошковое	RAL 8019*	

1.3

Обрамление проема верхнее

Предназначено для обрамления проема верхней панели. Используется в калитке с плоским, стандартным и низким порогом.

Материал	алюминий
Единица измерения	шт.
Норма поставки, шт.	10

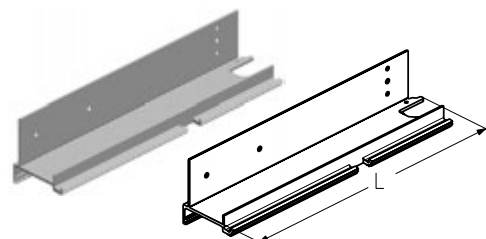


Артикул	Код	Покрытие	Цвет	Длина (L), мм	Вес, кг/шт.	Применение
WD-40.403R.302	404111391	Анодированное	A00-D6 (серебро)	182	0,123	Для ворот с правой калиткой
WD-40.403R.302	404111833	Порошковое	RAL 8019*			
WD-40.404R.302	404111591	Анодированное	A00-D6 (серебро)	308	0,214	
WD-40.404R.302	404112033	Порошковое	RAL 8019*			
WD-40.403L.302	404111291	Анодированное	A00-D6 (серебро)	182	0,123	Для ворот с левой калиткой
WD-40.403L.302	404111733	Порошковое	RAL 8019*			
WD-40.404L.302	404111491	Анодированное	A00-D6 (серебро)	308	0,214	
WD-40.404L.302	404111933	Порошковое	RAL 8019*			

Петля проема верхняя

Предназначена для обрамления проема верхней панели. Используется в калитке с плоским, стандартным и низким порогом.

Материал	алюминий
Единица измерения	шт.
Норма поставки, шт.	10



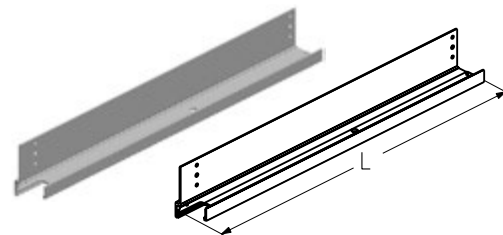
Артикул	Код	Покрытие	Цвет	Длина (L), мм	Вес, кг/шт.	Применение
WD-40.403R.101	404210991	Анодированное	A00-D6 (серебро)	182	0,161	Для ворот с правой калиткой
WD-40.403R.101	404212133	Порошковое	RAL 8019*			
WD-40.404R.101	404211191	Анодированное	A00-D6 (серебро)	308	0,279	
WD-40.404R.101	404212333	Порошковое	RAL 8019*			
WD-40.403L.101	404210891	Анодированное	A00-D6 (серебро)	182	0,161	Для ворот с левой калиткой
WD-40.403L.101	404212033	Порошковое	RAL 8019*			
WD-40.404L.101	404211091	Анодированное	A00-D6 (серебро)	308	0,279	
WD-40.404L.101	404212233	Порошковое	RAL 8019*			

* Указанные цвета имеют близкое соответствие шкале RAL.

Обрамление проема среднее

Предназначено для обрамления проема третьей или четвертой панели. Используется в калитке с плоским, стандартным и низким порогом.

Материал алюминий
Единица измерения шт.
Норма поставки, шт. 10

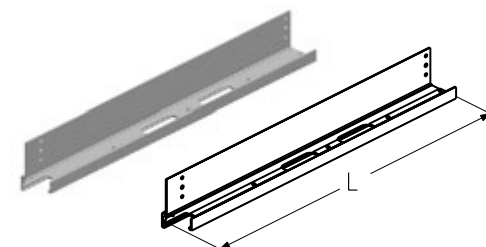


Артикул	Код	Покрытие	Цвет	Длина (L), мм	Вес, кг/шт.	Применение
WD-40.350R.302	404123791	Анодированное	A00-D6 (серебро)	479	0,350	Для ворот с правой калиткой
WD-40.350R.302	404124333	Порошковое	RAL 8019*			
WD-40.360R.302	404123991	Анодированное	A00-D6 (серебро)	604	0,443	
WD-40.360R.302	404124533	Порошковое	RAL 8019*			
WD-40.350L.302	404123691	Анодированное	A00-D6 (серебро)	479	0,350	Для ворот с левой калиткой
WD-40.350L.302	404124233	Порошковое	RAL 8019*			
WD-40.360L.302	404123891	Анодированное	A00-D6 (серебро)	604	0,443	
WD-40.360L.302	404124433	Порошковое	RAL 8019*			

Обрамление проема среднее

Предназначено для обрамления проема второй или третьей панели. Используется в калитке с плоским, стандартным и низким порогом.

Материал алюминий
Единица измерения шт.
Норма поставки, шт. 10

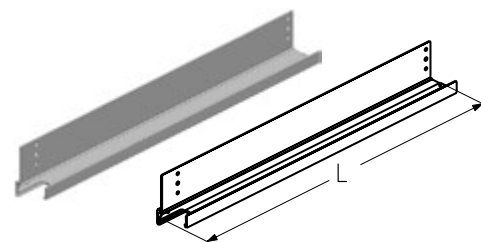


Артикул	Код	Покрытие	Цвет	Длина (L), мм	Вес, кг/шт.	Применение
WD-40.250R.302	404122991	Анодированное	A00-D6 (серебро)	479	0,337	Для ворот с правой калиткой
WD-40.250R.302	404123633	Порошковое	RAL 8019*			
WD-40.260R.302	404123191	Анодированное	A00-D6 (серебро)	604	0,430	
WD-40.260R.302	404124033	Порошковое	RAL 8019*			
WD-40.250L.302	404122891	Анодированное	A00-D6 (серебро)	479	0,337	Для ворот с левой калиткой
WD-40.250L.302	404123433	Порошковое	RAL 8019*			
WD-40.260L.302	404123091	Анодированное	A00-D6 (серебро)	604	0,430	
WD-40.260L.302	404123833	Порошковое	RAL 8019*			

Обрамление проема среднее

Предназначено для обрамления проема второй или третьей панели. Используется в калитке с плоским, стандартным и низким порогом с замком «анти-паник».

Материал алюминий
Единица измерения шт.
Норма поставки, шт. 10



Артикул	Код	Покрытие	Цвет	Длина (L), мм	Вес, кг/шт.	Применение
WD-40.250RA.302	404123391	Анодированное	A00-D6 (серебро)	479	0,337	Для ворот с правой калиткой
WD-40.250RA.302	404123733	Порошковое	RAL 8019*			
WD-40.260RA.302	404123591	Анодированное	A00-D6 (серебро)	604	0,430	
WD-40.260RA.302	404124133	Порошковое	RAL 8019*			
WD-40.250LA.302	404123291	Анодированное	A00-D6 (серебро)	479	0,337	Для ворот с левой калиткой
WD-40.250LA.302	404123533	Порошковое	RAL 8019*			
WD-40.260LA.302	404123491	Анодированное	A00-D6 (серебро)	604	0,430	
WD-40.260LA.302	404123933	Порошковое	RAL 8019*			

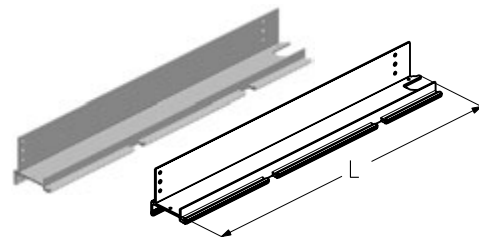
* Указанные цвета имеют близкое соответствие шкале RAL.

ОБРАМЛЕНИЕ ПРОЕМА

Петля проема средняя

Предназначена для обрамления проема четвертой, третьей и второй панелей. Используется в калитке с плоским, стандартным и низким порогом.

Материал алюминий
 Единица измерения шт.
 Норма поставки, шт. 10



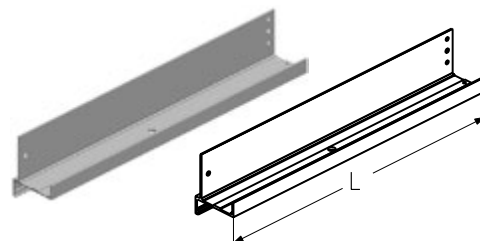
Артикул	Код	Покрытие	Цвет	Длина (L), мм	Вес, кг/шт.	Применение
WD-40.250R.101	404220791	Анодированное	A00-D6 (серебро)	479	0,456	Для ворот с правой калиткой
WD-40.250R.101	404221733	Порошковое	RAL 8019*			
WD-40.260R.101	404220991	Анодированное	A00-D6 (серебро)	604	0,476	
WD-40.260R.101	404221933	Порошковое	RAL 8019*			
WD-40.250L.101	404220691	Анодированное	A00-D6 (серебро)	479	0,456	Для ворот с левой калиткой
WD-40.250L.101	404221633	Порошковое	RAL 8019*			
WD-40.260L.101	404220891	Анодированное	A00-D6 (серебро)	604	0,476	
WD-40.260L.101	404221833	Порошковое	RAL 8019*			

1.3

Обрамление проема нижнее

Предназначено для обрамления проема нижней панели. Используется в калитке со стандартным порогом.

Материал алюминий
 Единица измерения шт.
 Норма поставки, шт. 20

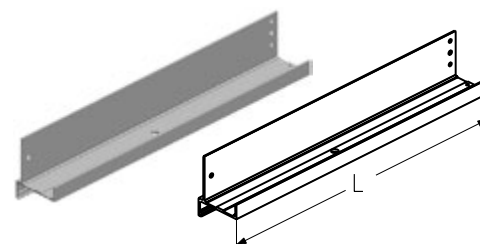


Артикул	Код	Покрытие	Цвет	Длина (L), мм	Вес, кг/шт.	Применение
WD-40.152R.302	404132491	Анодированное	A00-D6 (серебро)	366	0,350	Для ворот с правой калиткой
WD-40.152R.302	404133233	Порошковое	RAL 8019*			
WD-40.162R.302	404133091	Анодированное	A00-D6 (серебро)	491	0,409	
WD-40.162R.302	404133833	Порошковое	RAL 8019*			
WD-40.152L.302	404132391	Анодированное	A00-D6 (серебро)	366	0,350	Для ворот с левой калиткой
WD-40.152L.302	404133133	Порошковое	RAL 8019*			
WD-40.162L.302	404132991	Анодированное	A00-D6 (серебро)	491	0,409	
WD-40.162L.302	404133733	Порошковое	RAL 8019*			

Обрамление проема нижнее

Предназначено для обрамления проема нижней панели. Используется в калитке с низким порогом.

Материал алюминий
 Единица измерения шт.
 Норма поставки, шт. 20



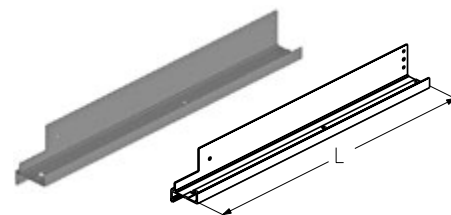
Артикул	Код	Покрытие	Цвет	Длина (L), мм	Вес, кг/шт.	Применение
WD-40.151R.302	404132291	Анодированное	A00-D6 (серебро)	411	0,343	Для ворот с правой калиткой
WD-40.151R.302	404133033	Порошковое	RAL 8019*			
WD-40.161R.302	404132891	Анодированное	A00-D6 (серебро)	536	0,446	
WD-40.161R.302	404133633	Порошковое	RAL 8019*			
WD-40.151L.302	404132191	Анодированное	A00-D6 (серебро)	411	0,343	Для ворот с левой калиткой
WD-40.151L.302	404132933	Порошковое	RAL 8019*			
WD-40.161L.302	404132791	Анодированное	A00-D6 (серебро)	536	0,446	
WD-40.161L.302	404133533	Порошковое	RAL 8019*			

* Указанные цвета имеют близкое соответствие шкале RAL.

Обрамление проема нижнее

Предназначено для обрамления проема нижней панели. Используется в калитке с плоским порогом.

Материал алюминий
Единица измерения шт.
Норма поставки, шт. 20

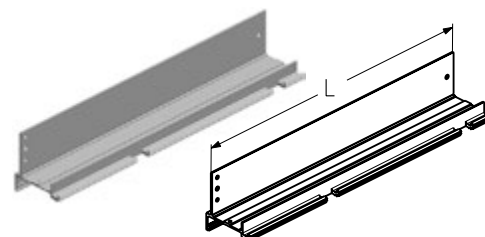


Артикул	Код	Покрытие	Цвет	Длина (L), мм	Вес, кг/шт.	Применение
WD-40.153R.302	404132691	Анодированное	A00-D6 (серебро)	483	0,350	Для ворот с правой калиткой
WD-40.153R.302	404133433	Порошковое	RAL 8019*			
WD-40.163R.302	404133291	Анодированное	A00-D6 (серебро)	608	0,453	
WD-40.163R.302	404134033	Порошковое	RAL 8019*			
WD-40.153L.302	404132591	Анодированное	A00-D6 (серебро)	483	0,350	Для ворот с левой калиткой
WD-40.153L.302	404133333	Порошковое	RAL 8019*			
WD-40.163L.302	404133191	Анодированное	A00-D6 (серебро)	608	0,453	
WD-40.163L.302	404133933	Порошковое	RAL 8019*			

Обрамление проема среднее

Предназначено для обрамления проема нижней панели. Используется в калитке со стандартным порогом.

Материал алюминий
Единица измерения шт.
Норма поставки, шт. 20

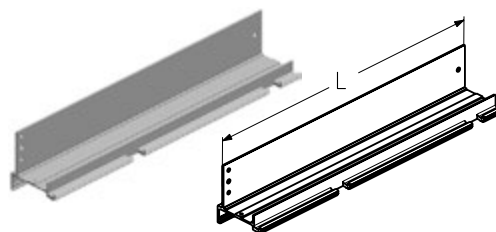


Артикул	Код	Покрытие	Цвет	Длина (L), мм	Вес, кг/шт.	Применение
WD-40.152R.101	404235291	Анодированное	A00-D6 (серебро)	366	0,355	Для ворот с правой калиткой
WD-40.152R.101	404235233	Порошковое	RAL 8019*			
WD-40.162R.101	404235891	Анодированное	A00-D6 (серебро)	491	0,477	
WD-40.162R.101	404235833	Порошковое	RAL 8019*			
WD-40.152L.101	404235191	Анодированное	A00-D6 (серебро)	366	0,355	Для ворот с левой калиткой
WD-40.152L.101	404235133	Порошковое	RAL 8019*			
WD-40.162L.101	404235791	Анодированное	A00-D6 (серебро)	491	0,477	
WD-40.162L.101	404235733	Порошковое	RAL 8019*			

Петля проема нижняя

Предназначена для обрамления проема нижней панели. Используется в калитке с низким порогом.

Материал алюминий
Единица измерения шт.
Норма поставки, шт. 10



Артикул	Код	Покрытие	Цвет	Длина (L), мм	Вес, кг/шт.	Применение
WD-40.151R.101	404235091	Анодированное	A00-D6 (серебро)	411	0,399	Для ворот с правой калиткой
WD-40.151R.101	404235033	Порошковое	RAL 8019*			
WD-40.161R.101	404235691	Анодированное	A00-D6 (серебро)	536	0,521	
WD-40.161R.101	404235633	Порошковое	RAL 8019*			
WD-40.151L.101	404234991	Анодированное	A00-D6 (серебро)	411	0,399	Для ворот с левой калиткой
WD-40.151L.101	404234933	Порошковое	RAL 8019*			
WD-40.161L.101	404235591	Анодированное	A00-D6 (серебро)	536	0,521	
WD-40.161L.101	404235533	Порошковое	RAL 8019*			

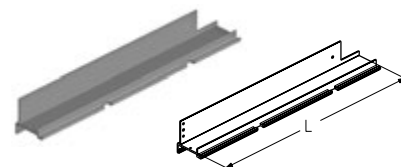
* Указанные цвета имеют близкое соответствие шкале RAL.

ОБРАМЛЕНИЕ ПРОЕМА

Петля проема нижняя

Предназначена для обрамления проема нижней панели. Используется в калитке с плоским порогом.

Материал алюминий
 Единица измерения шт.
 Норма поставки, шт. 20



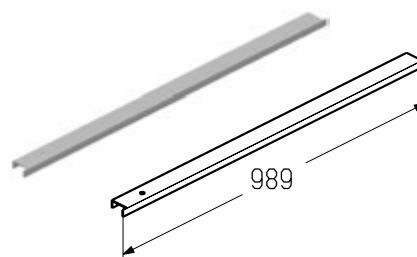
Артикул	Код	Покрытие	Цвет	Длина (L), мм	Вес, кг/шт.	Применение
WD-40.153R.101	404235491	Анодированное	A00-D6 (серебро)	483	0,458	Для ворот с правой калиткой
WD-40.153R.101	404235433	Порошковое	RAL 8019*			
WD-40.163R.101	404236091	Анодированное	A00-D6 (серебро)	608	0,591	
WD-40.163R.101	404236033	Порошковое	RAL 8019*			
WD-40.153L.101	404235391	Анодированное	A00-D6 (серебро)	483	0,458	Для ворот с левой калиткой
WD-40.153L.101	404235333	Порошковое	RAL 8019*			
WD-40.163L.101	404235991	Анодированное	A00-D6 (серебро)	608	0,591	
WD-40.163L.101	404235933	Порошковое	RAL 8019*			

1.3

Порог

Предназначен для установки совместно с профилями усиливающими (PRG-12, PRG-13). Используется в калитке со стандартным и низким порогом.

Длина, мм 989
 Материал алюминий
 Вес, кг/шт. 0,416
 Единица измерения шт.
 Норма поставки, шт. 10

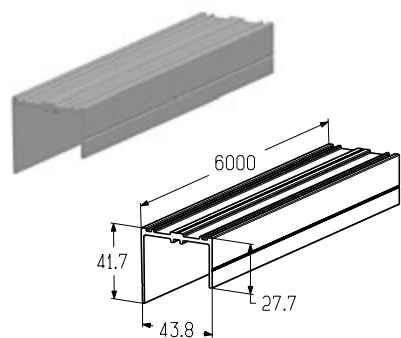


Артикул	Код	Покрытие	Цвет	Применение
WD-40.151R.103	404133491	Анодированное	A00-D6 (серебро)	Для ворот с правой калиткой
WD-40.151R.103	404134233	Порошковое	RAL 8019*	
WD-40.151L.103	404133391	Анодированное	A00-D6 (серебро)	Для ворот с левой калиткой
WD-40.151L.103	404134133	Порошковое	RAL 8019*	

Профиль воротный

Предназначен для обрамления нижней панели. Используется в калитке с плоским порогом.

Длина, мм 6000
 Вес, кг/шт. 0,61
 Материал алюминий
 Единица измерения м
 Норма поставки, м 24



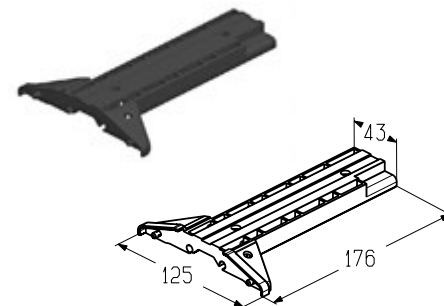
Артикул	Код	Покрытие	Цвет
PRD113	404370791	Анодированное	A00-D6 (серебро)
	404370733	Порошковое	RAL 8019*

* Указанные цвета имеют близкое соответствие шкале RAL.

Вставка концевая

Устанавливается совместно с нижним профилем (PRD112). Используется в калитке с плоским порогом.

Материал РА
 Цвет черный
 Вес, кг/шт. 0,065
 Единица измерения шт.
 Норма поставки, шт. 60

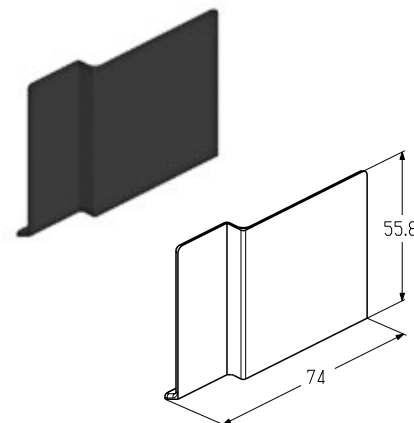


Артикул	Код	Применение
WD-40.2033R	401715900	Правая
WD-40.2033L	401716000	Левая

Заглушка калиточная

Устанавливается совместно с нижним профилем (PRD112 и PRD113). Используется в калитке с плоским порогом.

Материал ABS
 Вес, кг/шт. 0,009
 Единица измерения шт.
 Норма поставки, шт. 500



Артикул	Код	Применение
WD2034R-BK	401713700	Правая
WD2034L-BK	401713600	Левая

Профиль воротный

Предназначен для установки в нижнюю панель. Выполняет функцию порога калитки. Используется в калитке с плоским порогом.

Материал алюминий
 Длина (L), мм 6000
 Вес, кг/м 2,38
 Единица измерения м
 Норма поставки, м 12



Артикул	Код	Покрытие	Цвет*
PRD112	404370130	Порошковое	RAL 9005

* Указанные цвета имеют близкое соответствие шкале RAL.

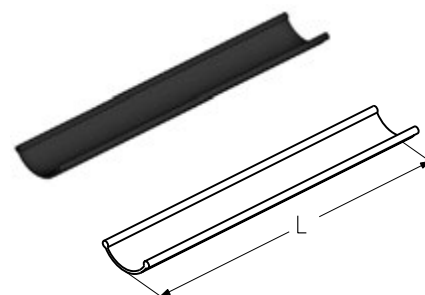
ОБРАМЛЕНИЕ ПРОЕМА

Вставка уплотнительная

Предназначена для герметизации нижней части проема. Устанавливается в профиль воротный (PRD112). Используется в калитке с плоским порогом.

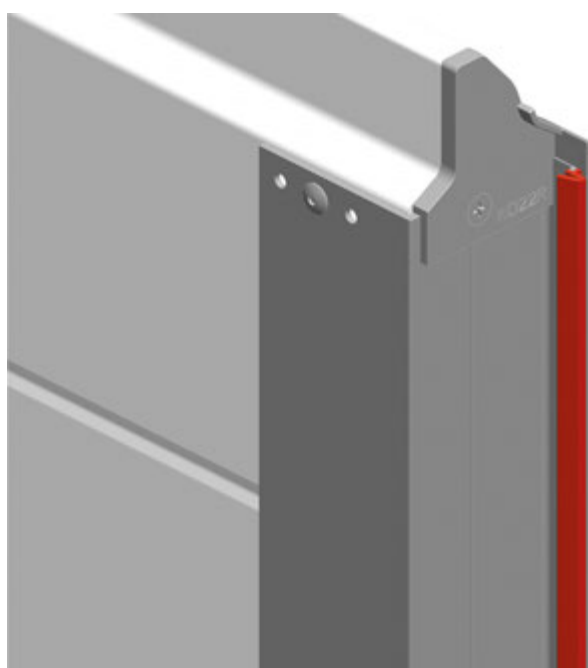
Материал	EPDM
Вес, кг/м	0,101
Единица измерения	м
Норма поставки, м	125

Артикул	Код
RSB11	401510900



1.3

УСТАНОВКА ВСТАВКИ УПЛОТНИТЕЛЬНОЙ

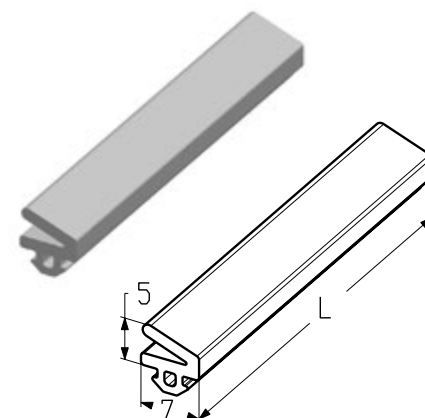


Вставка уплотнительная

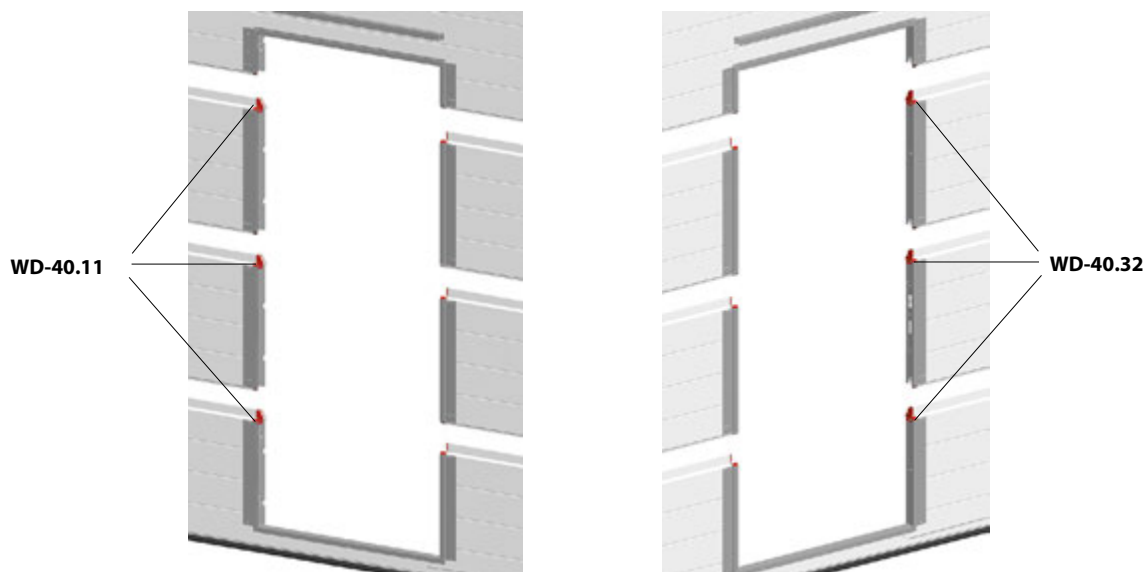
Предназначена для герметизации проема калитки. Устанавливается в обрамление проема и обрамление калитки. Используется в калитке с плоским, стандартным и низким порогом.

Материал	EPDM
Вес, кг/м	0,04
Единица измерения	м
Норма поставки, м	475

Артикул	Код
RSW-14	401560200



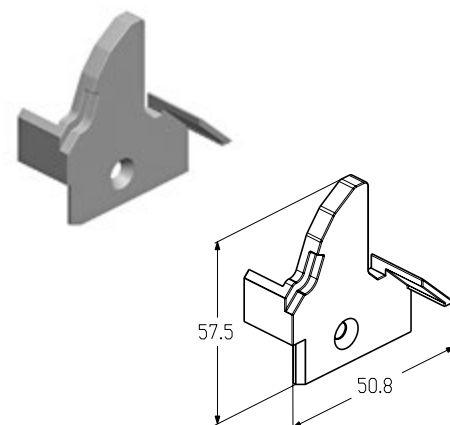
УСТАНОВКА ЗАГЛУШКИ



Заглушка

Устанавливается совместно с обрамлением проема в нижней и промежуточных панелях. Используется в калитке с плоским, стандартным и низким порогом.

Материал PA
 Вес, кг/шт. 0,008
 Единица измерения шт.
 Норма поставки, шт. 600

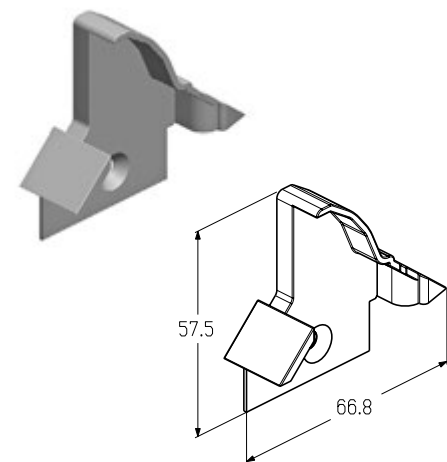


Артикул	Код	Цвет	Применение
WD-40.32R-GR	401715500	Серый	Для ворот с правой калиткой
WD-40.32R-BR	401715600	Коричневый	
WD-40.32L-GR	401715700	Серый	Для ворот с левой калиткой
WD-40.32L-BR	401715800	Коричневый	

Заглушка

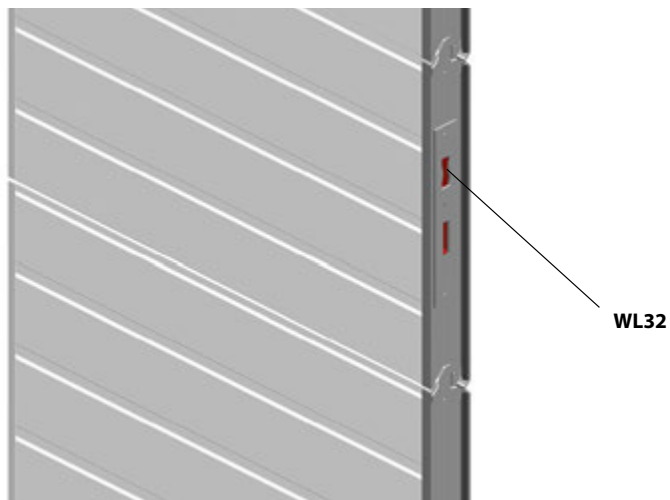
Устанавливается совместно с петлей проема в нижней и промежуточных панелях. Используется в калитке с плоским, стандартным и низким порогом.

Материал PA
 Вес, кг/шт. 0,01
 Единица измерения шт.
 Норма поставки, шт. 400



Артикул	Код	Цвет	Применение
WD-40.11R-GR	401714300	Серый	Для ворот с правой калиткой
WD-40.11R-BR	401714400	Коричневый	
WD-40.11L-GR	401714500	Серый	Для ворот с левой калиткой
WD-40.11L-BR	401714600	Коричневый	

УСТАНОВКА ЗАГЛУШКИ

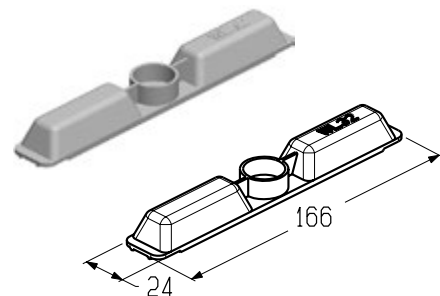


1.3

Заглушка

Предназначена для установки совместно с обрамлением проема третьей или второй панели. Используется в калитке с плоским, стандартным и низким порогом.

Материал РА
 Цвет черный
 Вес, кг/шт. 0,017
 Единица измерения шт.
 Норма поставки, шт. 300

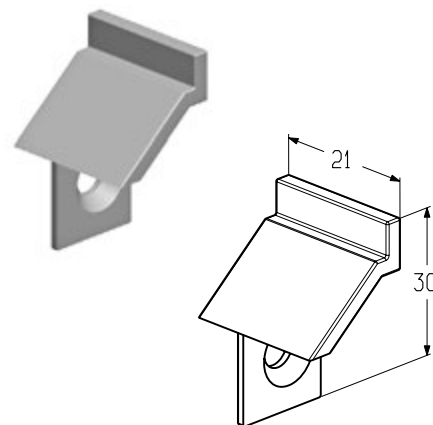


Артикул	Код
WL32	404410800

Заглушка нижняя

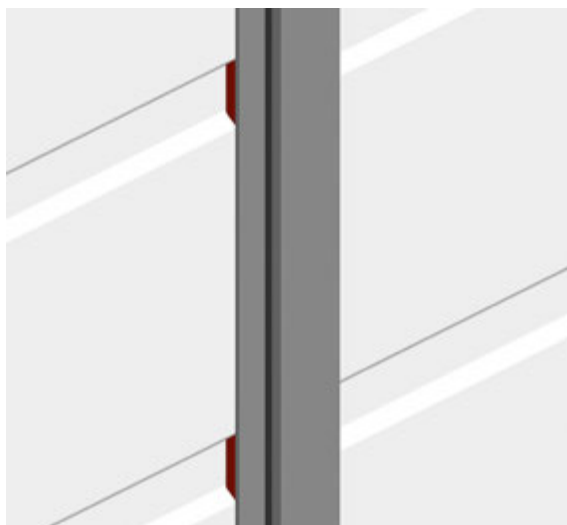
Устанавливается совместно с обрамлением и петлей проема в верхней и промежуточных панелях. Используется в калитке с плоским, стандартным и низким порогом.

Материал РА
 Вес, кг/шт. 0,002
 Единица измерения шт.
 Норма поставки, шт. 3600



Артикул	Код	Цвет
WD-40.01R-GR	401713900	Серый
WD-40.01R-BR	401714000	Коричневый
WD-40.01L-GR	401714100	Серый
WD-40.01L-BR	401714200	Коричневый

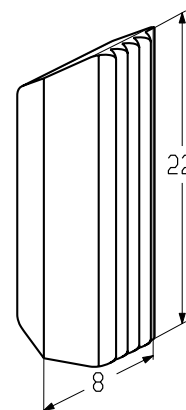
УСТАНОВКА ЗАГЛУШКИ КАЛИТОЧНОЙ



Заглушка калиточная

Предназначена для установки совместно с обрамлением проема и обрамлением калитки.
Устанавливается под обрамление в каждый зиг панелей с рисунком «S-гофр». Используется в калитке с плоским, стандартным и низким порогом.

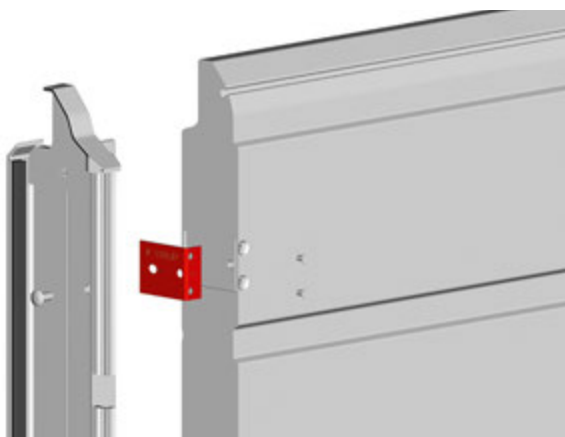
Материал полиуретан
Вес, кг/шт. 0,001
Единица измерения шт.
Норма поставки, шт. 18000



Артикул	Код
WD2028	401713100

УСТАНОВКА СКОБЫ И КРОНШТЕЙНА

Скоба WD2013N



Кронштейн WD2014

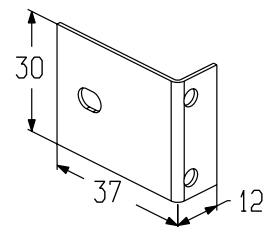


1.3

Скоба

Предназначена для усиления петли проема и петли калитки по всей высоте встроенной калитки. Используется в калитке с плоским, стандартным и низким порогом.

Материал оцинкованная сталь
 Вес, кг/шт. 0,010
 Единица измерения шт.
 Норма поставки, шт. 1000

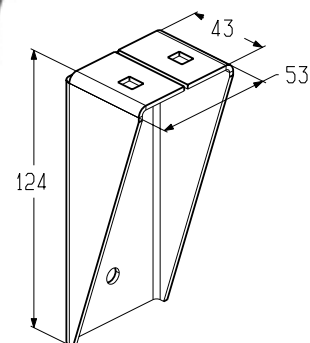


Артикул	Код
WD2013N	418700046

Кронштейн

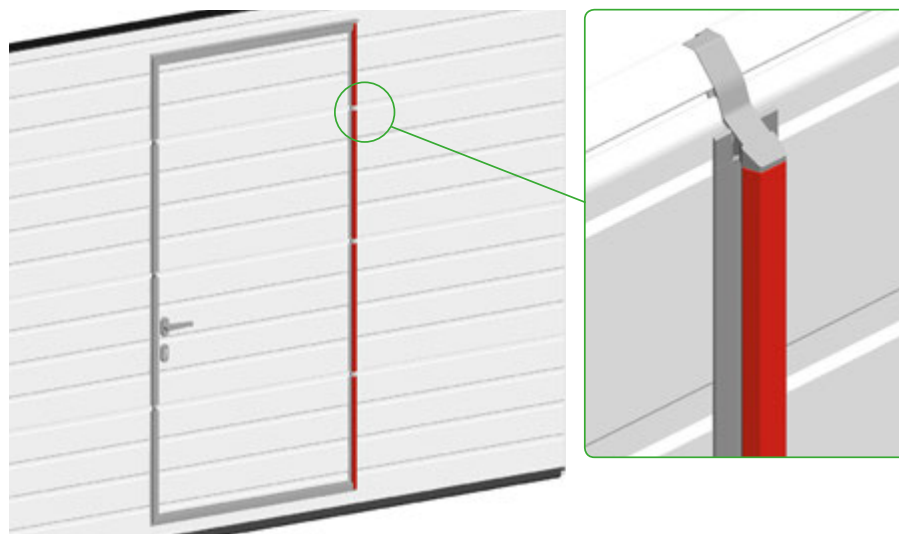
Предназначен для усиления верхней калиточной панели. Устанавливается совместно с профилем усиливающим (PRG-16, PRG-17). Используется в калитке с плоским, стандартным и низким порогом.

Материал оцинкованная сталь
 Покрытие полимерное
 Цвет бело-серый (близкий RAL 9002)
 Вес, кг/шт. 0,21
 Единица измерения шт.
 Норма поставки, шт. 40



Артикул	Код
WD2014	401750200

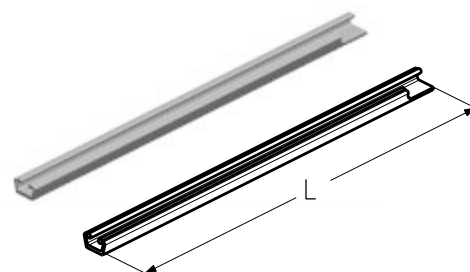
УСТАНОВКА ЭЛЕМЕНТА ПЕТЛИ



Элемент верхней петли

Предназначен для соединения петли калитки и петли проема в верхней панели. Используется в калитке с плоским, стандартным и низким порогом.

Материал алюминий
 Единица измерения шт.
 Норма поставки, шт. 10



Артикул	Код	Покрытие	Цвет	Длина (L), мм	Вес, кг/шт.	Применение
WD-40.403R.001	404211391	Анодированное	A00-D6 (серебро)	183	0,038	Для ворот с правой калиткой
WD-40.403R.001	404212533	Порошковое	RAL 8019*			
WD-40.404R.001	404211591	Анодированное	A00-D6 (серебро)	308	0,066	
WD-40.404R.001	404212733	Порошковое	RAL 8019*			
WD-40.403L.001	404211291	Анодированное	A00-D6 (серебро)	183	0,038	Для ворот с левой калиткой
WD-40.403L.001	404212433	Порошковое	RAL 8019*			
WD-40.404L.001	404211491	Анодированное	A00-D6 (серебро)	308	0,066	
WD-40.404L.001	404212633	Порошковое	RAL 8019*			

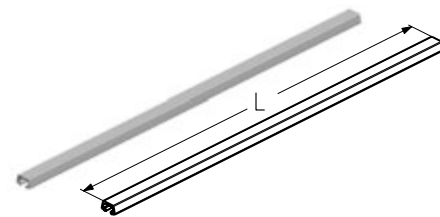
* Указанные цвета имеют близкое соответствие шкале RAL.

ПЕТЛЯ КАЛИТКИ

Элемент средней петли

Предназначен для соединения петли калитки и петли проема в промежуточных панелях. Используется в калитке с плоским, стандартным и низким порогом.

Материал алюминий
 Единица измерения шт.
 Норма поставки, шт. 10



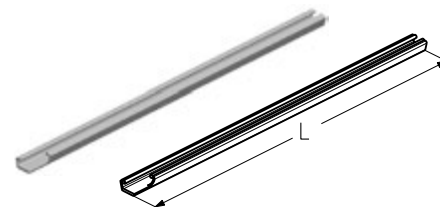
Артикул	Код	Покрытие	Цвет	Длина (L), мм	Вес, кг/шт.	Применение
WD-40.250R.001	404124091	Анодированное	A00-D6 (серебро)	481	0,111	Для ворот с правой и левой калитки
WD-40.250R.001	404124633	Порошковое	RAL 8019*			
WD-40.260R.001	404124191	Анодированное	A00-D6 (серебро)	606	0,131	
WD-40.260R.001	404124733	Порошковое	RAL 8019*			

1.3

Элемент нижней петли

Предназначен для соединения петли калитки и петли проема в нижней панели. Используется в калитке со стандартным порогом.

Материал алюминий
 Единица измерения шт.
 Норма поставки, шт. 10

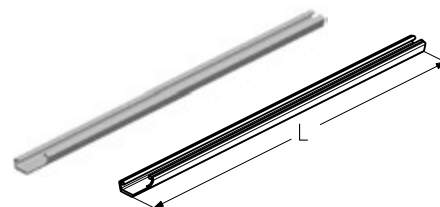


Артикул	Код	Покрытие	Цвет	Длина (L), мм	Вес, кг/шт.	Применение
WD-40.152R.001	404236491	Анодированное	A00-D6 (серебро)	377	0,085	Для ворот с правой калиткой
WD-40.152R.001	404236433	Порошковое	RAL 8019*			
WD-40.162R.001	404237091	Анодированное	A00-D6 (серебро)	502	0,114	
WD-40.162R.001	404237033	Порошковое	RAL 8019*			
WD-40.152L.001	404236391	Анодированное	A00-D6 (серебро)	377	0,085	Для ворот с левой калиткой
WD-40.152L.001	404236333	Порошковое	RAL 8019*			
WD-40.162L.001	404236991	Анодированное	A00-D6 (серебро)	502	0,114	
WD-40.162L.001	404236933	Порошковое	RAL 8019*			

Элемент нижней петли

Предназначен для соединения петли калитки и петли проема в нижней панели. Используется в калитке с низким порогом.

Материал алюминий
 Единица измерения шт.
 Норма поставки, шт. 10



Артикул	Код	Покрытие	Цвет	Длина (L), мм	Вес, кг/шт.	Применение
WD-40.151R.001	404236291	Анодированное	A00-D6 (серебро)	422	0,095	Для ворот с правой калиткой
WD-40.151R.001	404236233	Порошковое	RAL 8019*			
WD-40.161R.001	404236891	Анодированное	A00-D6 (серебро)	547	0,124	
WD-40.161R.001	404236833	Порошковое	RAL 8019*			
WD-40.151L.001	404236191	Анодированное	A00-D6 (серебро)	422	0,095	Для ворот с левой калиткой
WD-40.151L.001	404236133	Порошковое	RAL 8019*			
WD-40.161L.001	404236791	Анодированное	A00-D6 (серебро)	547	0,124	
WD-40.161L.001	404236733	Порошковое	RAL 8019*			

* Указанные цвета имеют близкое соответствие шкале RAL.

Элемент нижней петли

Предназначен для соединения петли калитки и петли проема в нижней панели. Используется в калитке с плоским порогом.

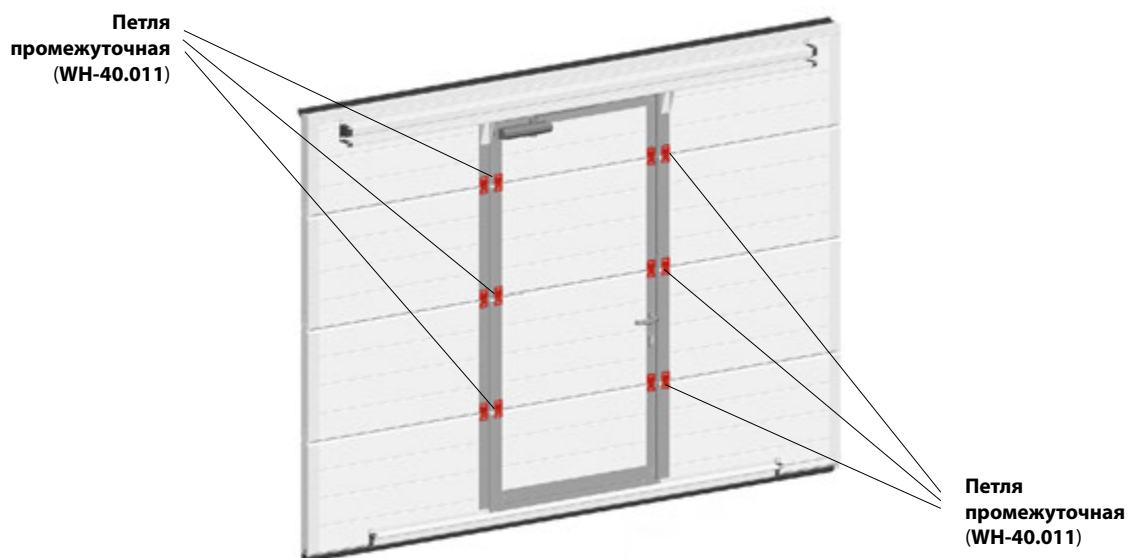
Материал алюминий
 Единица измерения шт.
 Норма поставки, шт. 10



Артикул	Код	Покрытие	Цвет	Длина (L), мм	Вес, кг/шт.	Применение
WD-40.153R.001	404236691	Анодированное	A00-D6 (серебро)	493	0,11	Для ворот с правой калиткой
WD-40.153R.001	404236633	Порошковое	RAL 8019*			
WD-40.163R.001	404237291	Анодированное	A00-D6 (серебро)	618	0,14	
WD-40.163R.001	404237233	Порошковое	RAL 8019*			
WD-40.153L.001	404236591	Анодированное	A00-D6 (серебро)	493	0,11	Для ворот с левой калиткой
WD-40.153L.001	404236533	Порошковое	RAL 8019*			
WD-40.163L.001	404237191	Анодированное	A00-D6 (серебро)	618	0,14	
WD-40.163L.001	404237133	Порошковое	RAL 8019*			

* Указанные цвета имеют близкое соответствие шкале RAL.

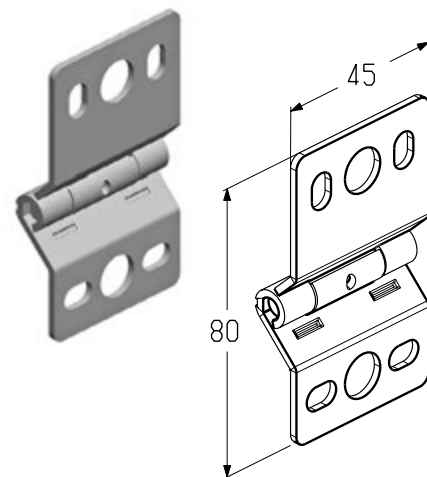
УСТАНОВКА ПЕТЛИ ПРОМЕЖУТОЧНОЙ



Петля промежуточная

Предназначена для соединения калиточных панелей. Используется в калитке с плоским, стандартным и низким порогом.

Материал оцинкованная сталь
 Вес, кг/шт. 0,072
 Единица измерения шт.
 Норма поставки, шт. 300



Артикул	Код
WN-40.011	404240400

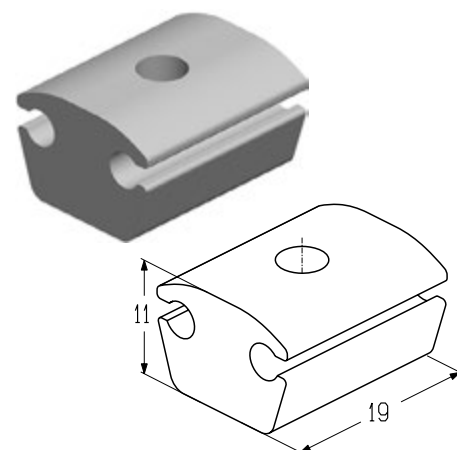
УСТАНОВКА СУХАРЯ



Сухарь

Предназначен для предотвращения взаимного перемещения петли проема относительно петли калитки. Используется в калитке с плоским, стандартным и низким порогом.

Материал пластмасса
 Вес, кг/шт. 0,003
 Единица измерения шт.
 Норма поставки, шт. 100



Артикул	Код
WD100	401720100

УСТАНОВКА ПРОФИЛЯ УСИЛИВАЮЩЕГО

Профиль усиливающий PRG-12



Профиль усиливающий PRG-13



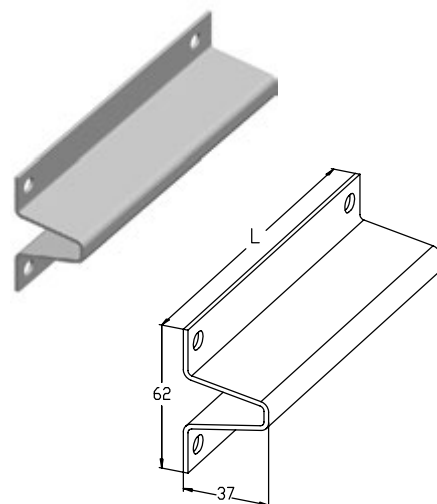
1.3

Профиль усиливающий

Предназначен для усиления нижней калиточной секции. Используется в калитке с низким порогом.

Материал оцинкованная сталь
 Покрытие полимерное
 Цвет бело-серый (близкий RAL 9002)
 Вес, кг/м 2,175
 Единица измерения м

Артикул	Код	Длина (L), мм	Норма поставки	
			м	шт.
PRG-12	401411110	5940	320,76	54
		6270	338,58	

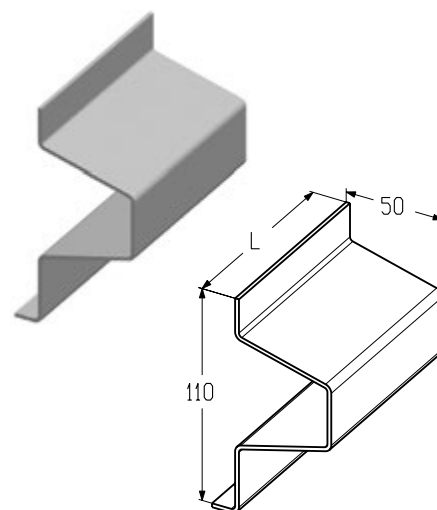


Профиль усиливающий

Предназначен для усиления нижней калиточной секции. Используется в калитке со стандартным порогом.

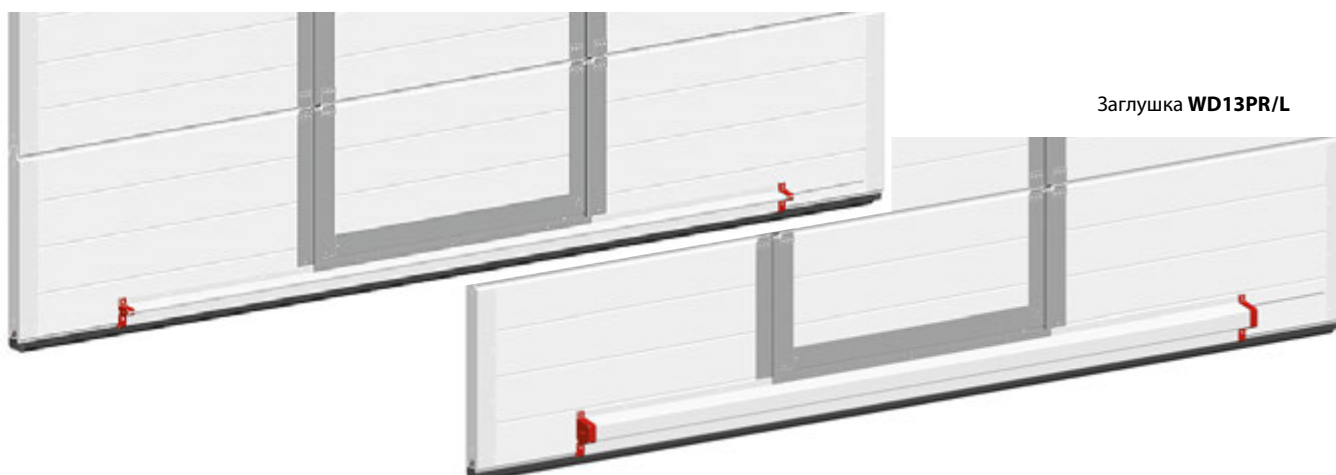
Материал оцинкованная сталь
 Покрытие полимерное
 Цвет бело-серый (близкий RAL 9002)
 Вес, кг/м 3,04
 Единица измерения м

Артикул	Код	Длина (L), мм	Норма поставки	
			м	шт.
PRG-13	401411210	4620	92,40	20
		4950	99,00	
		6600	132,00	



УСТАНОВКА ЗАГЛУШКИ

Заглушка **WD12P**

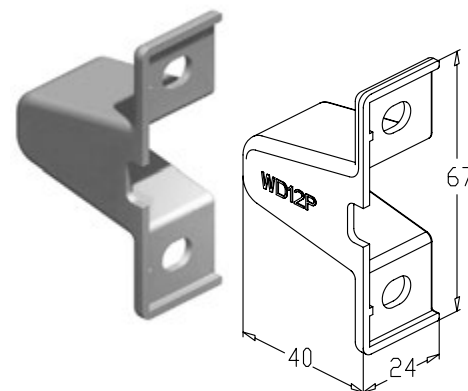


Заглушка **WD13PR/L**

Заглушка

Устанавливается совместно с профилем усиливающим (**PRG-12**). Используется в калитке с низким порогом.

Материал	PA
Вес, кг/шт.	0,008
Единица измерения	шт.
Норма поставки, шт.	650



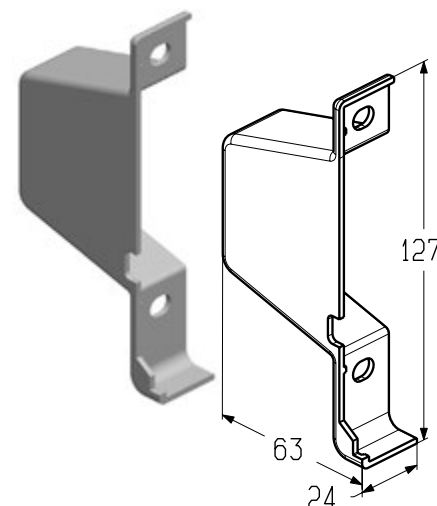
Артикул	Код	Применение
WD12P	401716100	Универсальная

Заглушка

Устанавливается совместно с профилем усиливающим (**PRG-13**). Используется в калитке со стандартным порогом.

Материал	PA
Вес, кг/шт.	0,016
Единица измерения	шт.
Норма поставки, шт.	400

Артикул	Код	Применение
WD13PR	401712300	Правая
WD13PL	401712400	Левая



УСТАНОВКА ПРОФИЛЯ УСИЛИВАЮЩЕГО

Профиль усиливающий PRG-16



Профиль усиливающий PRG-17



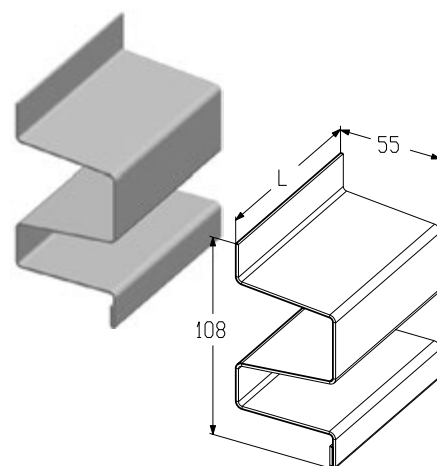
1.3

Профиль усиливающий

Предназначен для усиления верхней калиточной секции. Используется при врезке калитки в последнюю воротную панель. Используется в калитке с плоским, стандартным и низким порогом.

Материал оцинкованная сталь
 Покрытие полимерное
 Цвет бело-серый (близкий RAL 9002)
 Вес, кг/м 3,20
 Единица измерения м

Артикул	Код	Длина (L), мм	Норма поставки	
			м	шт.
PRG-16	401411510	5280	158,4	30
		6600	198,0	

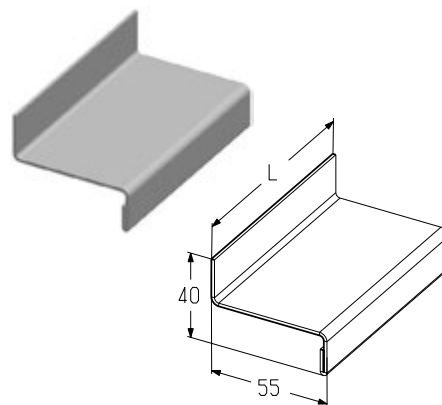


Профиль усиливающий

Предназначен для усиления верхней калиточной секции. Используется при врезке калитки в ворота, в ворота, в которых верхняя калиточная секция не является верхней секцией полотна ворот. Используется в калитке с плоским, стандартным и низким порогом.

Материал оцинкованная сталь
 Покрытие полимерное
 Цвет бело-серый (близкий RAL 9002)
 Вес, кг/м 1,20
 Единица измерения м

Артикул	Код	Длина (L), мм	Норма поставки	
			м	шт.
PRG-17	401411610	5280	633,6	120
		6600	792,0	



УСТАНОВКА ЗАГЛУШКИ

Заглушка WD16PR/L

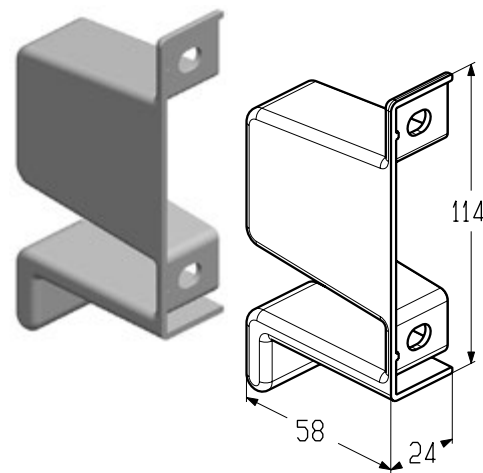
Заглушка WD17PR/L



Заглушка

Устанавливается совместно с профилем усиливающим (**PRG-16**). Используется в калитке с плоским, стандартным и низким порогом.

Материал PA
 Вес, кг/шт. 0,024
 Единица измерения шт.
 Норма поставки, шт. 200

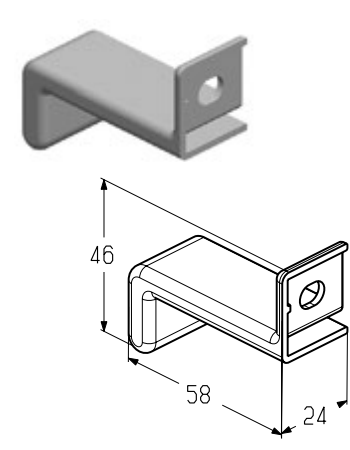


Артикул	Код	Применение
WD16PR	401712500	Правая
WD16PL	401712600	Левая

Заглушка

Устанавливается совместно с профилем усиливающим (**PRG-17**). Используется в калитке с плоским, стандартным и низким порогом.

Материал PA
 Вес, кг/шт. 0,01
 Единица измерения шт.
 Норма поставки, шт. 500



Артикул	Код	Применение
WD17PR	401712700	Правая
WD17PL	401712800	Левая

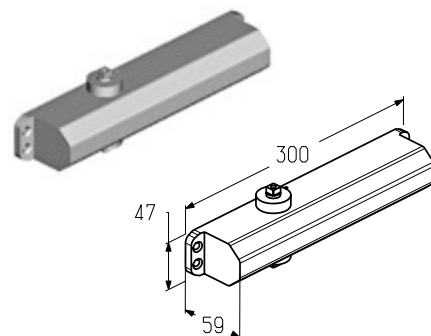
АКСЕССУАРЫ ДЛЯ ВСТРОЕННОЙ КАЛИТКИ

Доводчик дверной

Предназначен для автоматического закрывания калитки. Используется совместно с тягой для доводчика (DP2010). Используется в калитке с плоским, стандартным и низким порогом.

Вес, кг/шт. 2,71
Единица измерения шт.
Норма поставки, шт. 10

Артикул	Код
DP0207	404401000



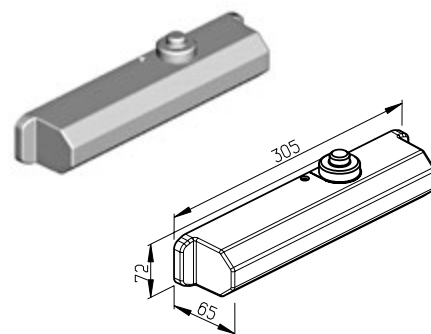
1.3

Крышка доводчика

Устанавливается совместно с доводчиком (DP0207). Используется в калитке с плоским, низким и стандартным порогом.

Материал ABS
Вес, кг/шт. 0,10
Единица измерения шт.
Норма поставки, шт. 10

Артикул	Код
DP2027	404470200

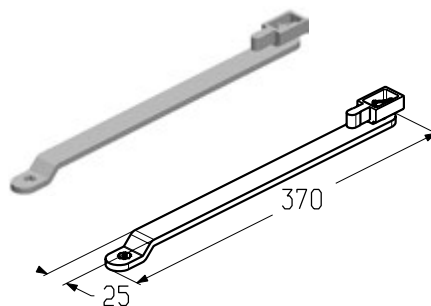


Тяга доводчика

Предназначена для установки совместно с доводчиком дверным (DP0207). Используется в калитке с плоским, стандартным и низким порогом.

Вес, кг/шт. 0,907
Единица измерения шт.
Норма поставки, шт. 10

Артикул	Код
DP2010	404406000

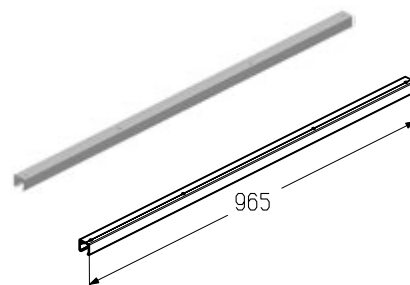


Шина доводчика

Предназначена для движения тяги доводчика (**DP2010**). Устанавливается совместно с профилем усиливающим (**PRG-16, PRG-17**). Используется в калитке с плоским, стандартным и низким порогом.

Длина, мм 965
 Материал алюминий
 Вес, кг/шт. 0,52
 Единица измерения шт.
 Норма поставки, шт. 10

Артикул	Код	Цвет
WD403R.108	404470191	A00-D6 (анодирование)
WD403R.108	404470133	RAL 8019*



Контакт калитки

Предназначен для отключения электропривода при открытой калитке. Используется в калитке с плоским, стандартным и низким порогом.

Вес, кг/шт. 0,003
 Единица измерения шт.
 Норма поставки, шт. 10

Артикул	Код
SS0206	404403000



Кабель

Предназначен для подключения контакта калитки (**SS0206**) к блоку управления. Используется в калитке с плоским, стандартным и низким порогом.

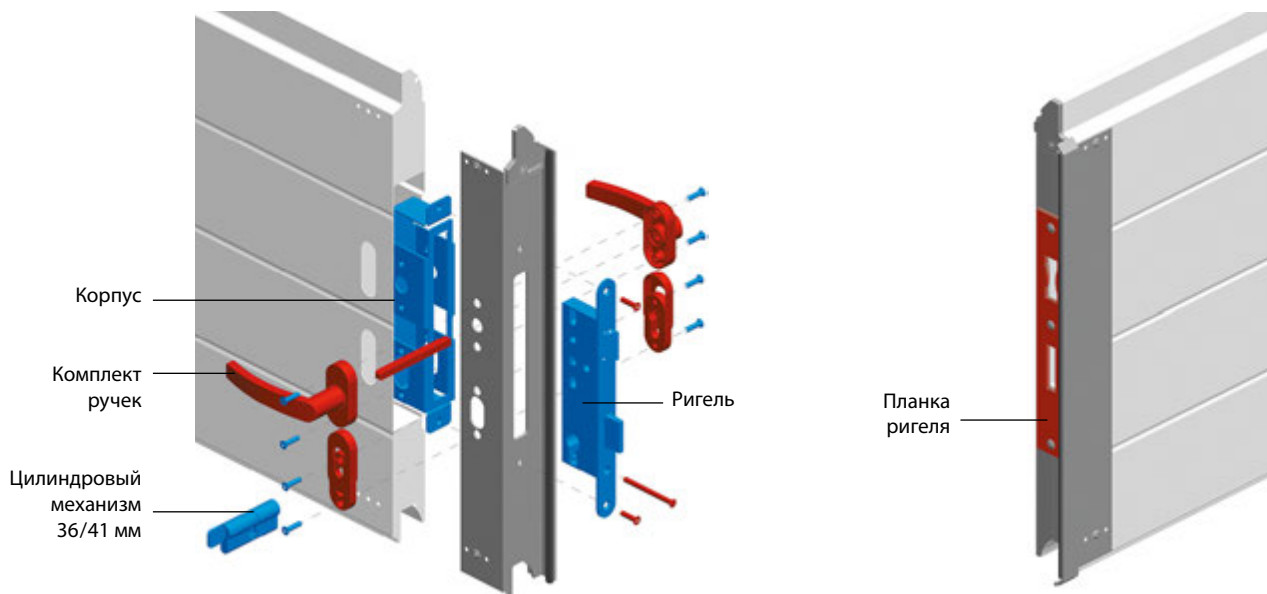
Вес, кг/м 0,03
 Единица измерения м
 Норма поставки, м 250

Артикул	Код
C2x0,5	404404000



* Указанные цвета имеют близкое соответствие шкале RAL.

УСТАНОВКА ЗАМКА КАЛИТКИ



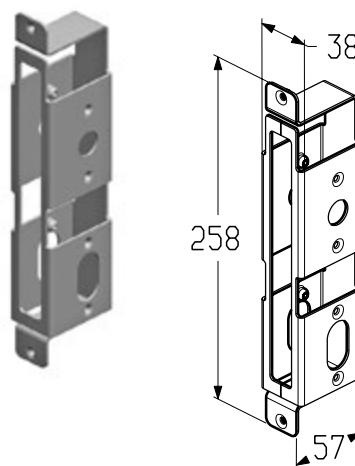
1.3

Корпус

Предназначен для установки ригеля (WL0202). Используется в калитке с плоским, стандартным и низким порогом.

Материал оцинкованная сталь
 Вес, кг/шт. 0,452
 Единица измерения шт.
 Норма поставки, шт. 10

Артикул	Код
WL-40.2012	401740200

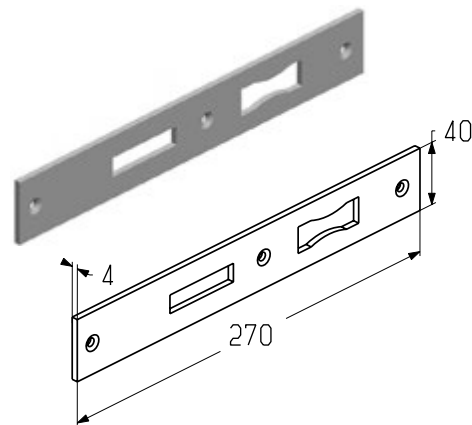


Планка ригеля

Предназначена для установки на обрамление проема среднее (WD-40.250R/L.302, WD-40.260R/L.302). Используется в калитке с плоским, стандартным и низким порогом.

Материал нержавеющая сталь
 Вес, кг/шт. 0,13
 Единица измерения шт.
 Норма поставки, шт. 10

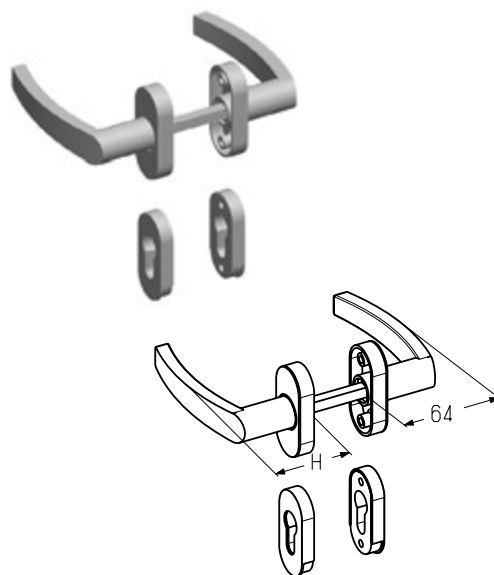
Артикул	Код
WL0200	404410400



Комплект ручек

Предназначен для установки в калитку с плоским, стандартным и низким порогом.

Материал цинковый сплав
 Вес, кг/шт. 0,9
 Единица измерения шт.
 Норма поставки, шт. 10



Артикул	Код	Покрытие	Цвет	Вылет наружной ручки от полотна ворот (H), мм	Применение
WL2021-SL	404410191	Анодированное	A00-D6 (анодирование)	64	<ul style="list-style-type: none"> • для гаражных ворот стандартного типа монтажа; • для промышленных ворот всех типов монтажа, кроме высоких, вертикальных и наклонных высоких типов монтажа
WL2021-BR	404410133	Порошковое	RAL 8019*		
WL2021-BK	404410130		RAL 9005*		
WL2022-SL	404410291	Анодированное	A00-D6 (серебро)	24	<ul style="list-style-type: none"> • для гаражных ворот низкого и высокого типов монтажа; • для промышленных ворот высоких, вертикальных и высоких наклонных типов монтажа с верхним и нижним расположением вала
WL2022-BR	404410233	Порошковое	RAL 8019*		
WL2022-BK	404410230		RAL 9005*		

* Указанные цвета имеют близкое соответствие шкале RAL.

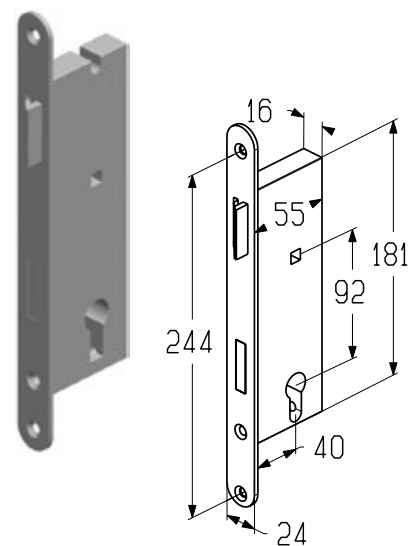
АКСЕССУАРЫ ДЛЯ ВСТРОЕННОЙ КАЛИТКИ

Ригель

Предназначен для установки совместно с корпусом вкладным (**WL-40.2012**). Используется в калитке с плоским, стандартным и низким порогом.

Вес, кг/шт. 0,63
Единица измерения шт.
Норма поставки, шт. 10

Артикул	Код
WL0202	404410300



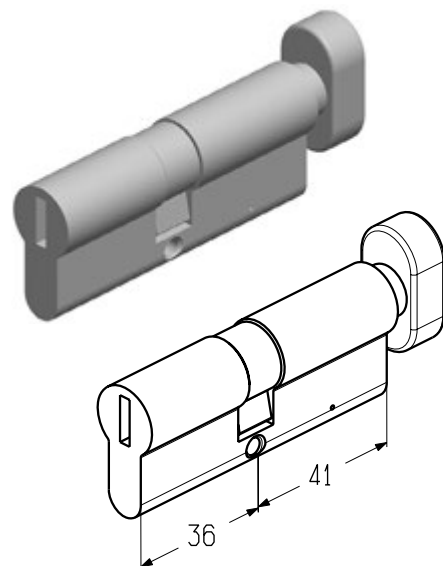
1.3

Цилиндрический механизм 36/41 мм

Предназначен для установки совместно с ригелем (**WL0202**). Используется в калитке с плоским, стандартным и низким порогом.

Вес, кг/шт. 0,294
Единица измерения шт.
Норма поставки, шт. 10

Артикул	Код
C-36/41M	404410700

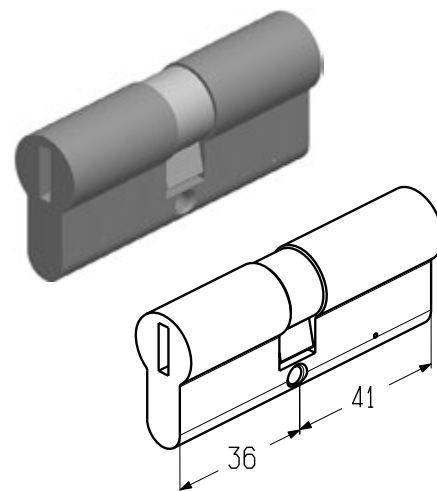


Цилиндрический механизм 36/41 мм

Предназначен для установки совместно с ригелем (**WL0202**). Используется в калитке с плоским, стандартным и низким порогом.

Вес, кг/шт. 0,264
Единица измерения шт.
Норма поставки, шт. 10

Артикул	Код
C-36/41	404410500

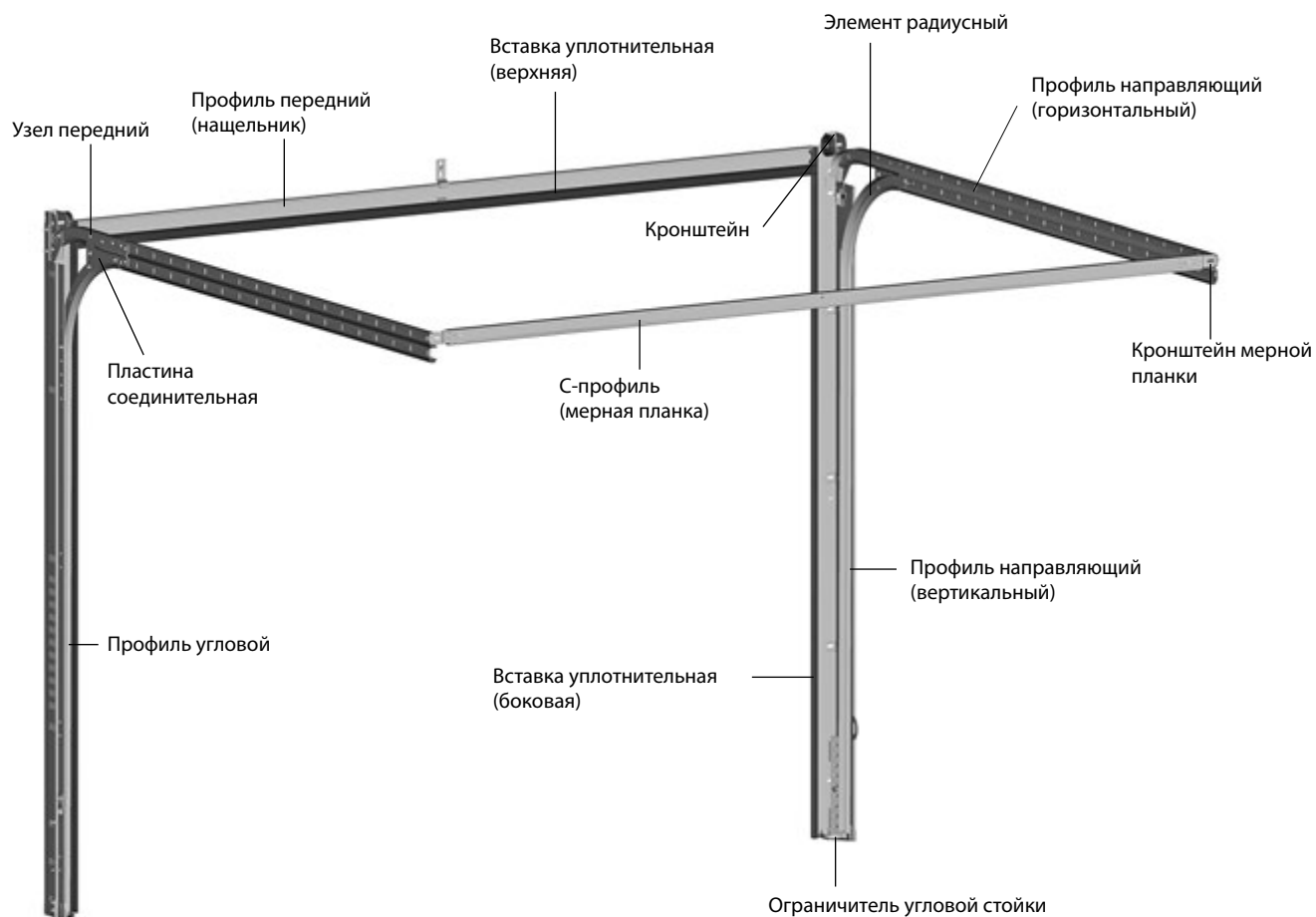




**ГАРАЖНЫЕ ВОРОТА TREND
ПРОМЫШЛЕННЫЕ ВОРОТА PROTREND**

СИСТЕМЫ НАПРАВЛЯЮЩИХ И ПОДВЕСА

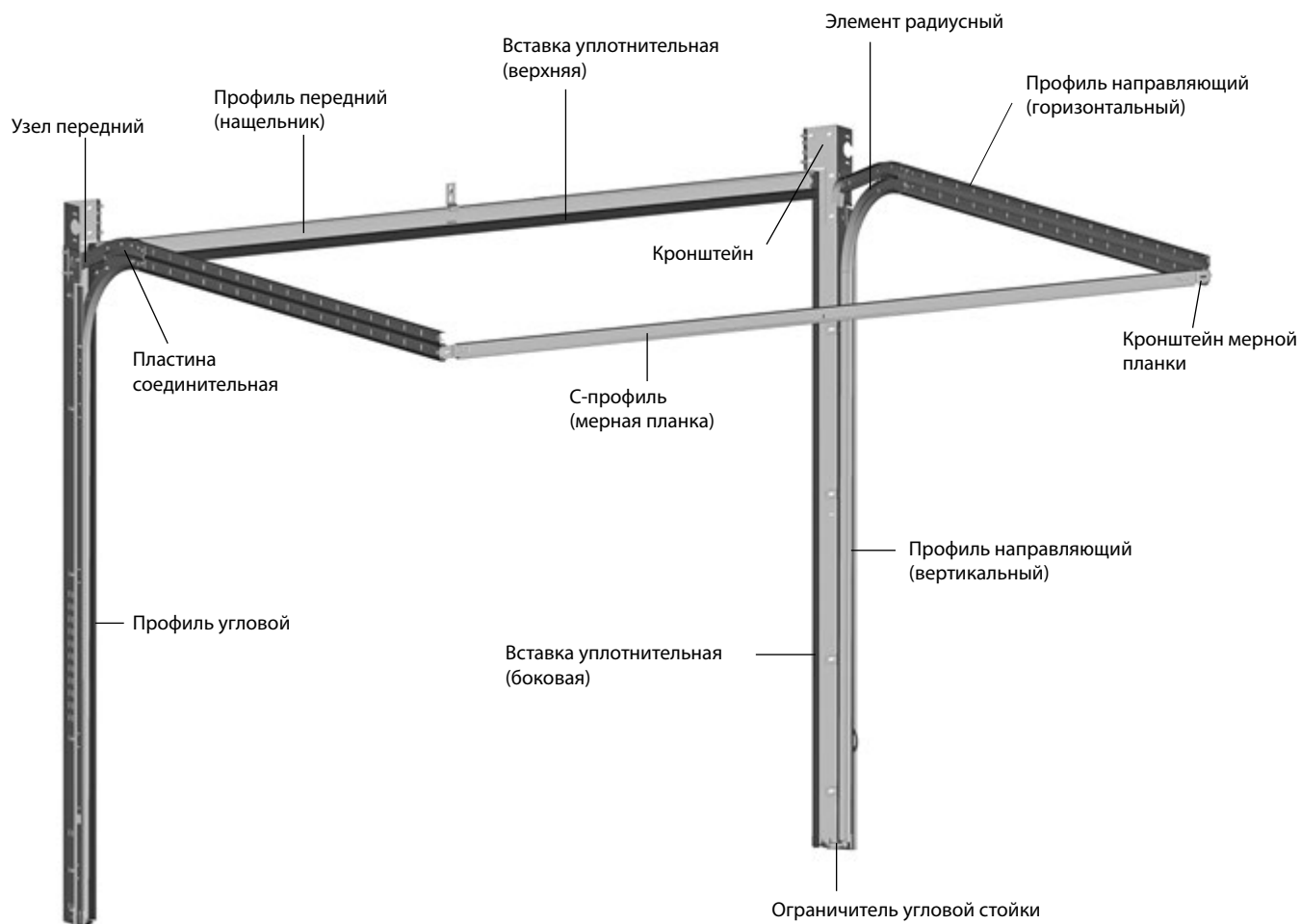
**ТИПОВАЯ КОНСТРУКЦИЯ СИСТЕМЫ НАПРАВЛЯЮЩИХ И ПОДВЕСА
ГАРАЖНЫХ ВОРОТ С ПРУЖИНАМИ РАСТЯЖЕНИЯ**



1.4

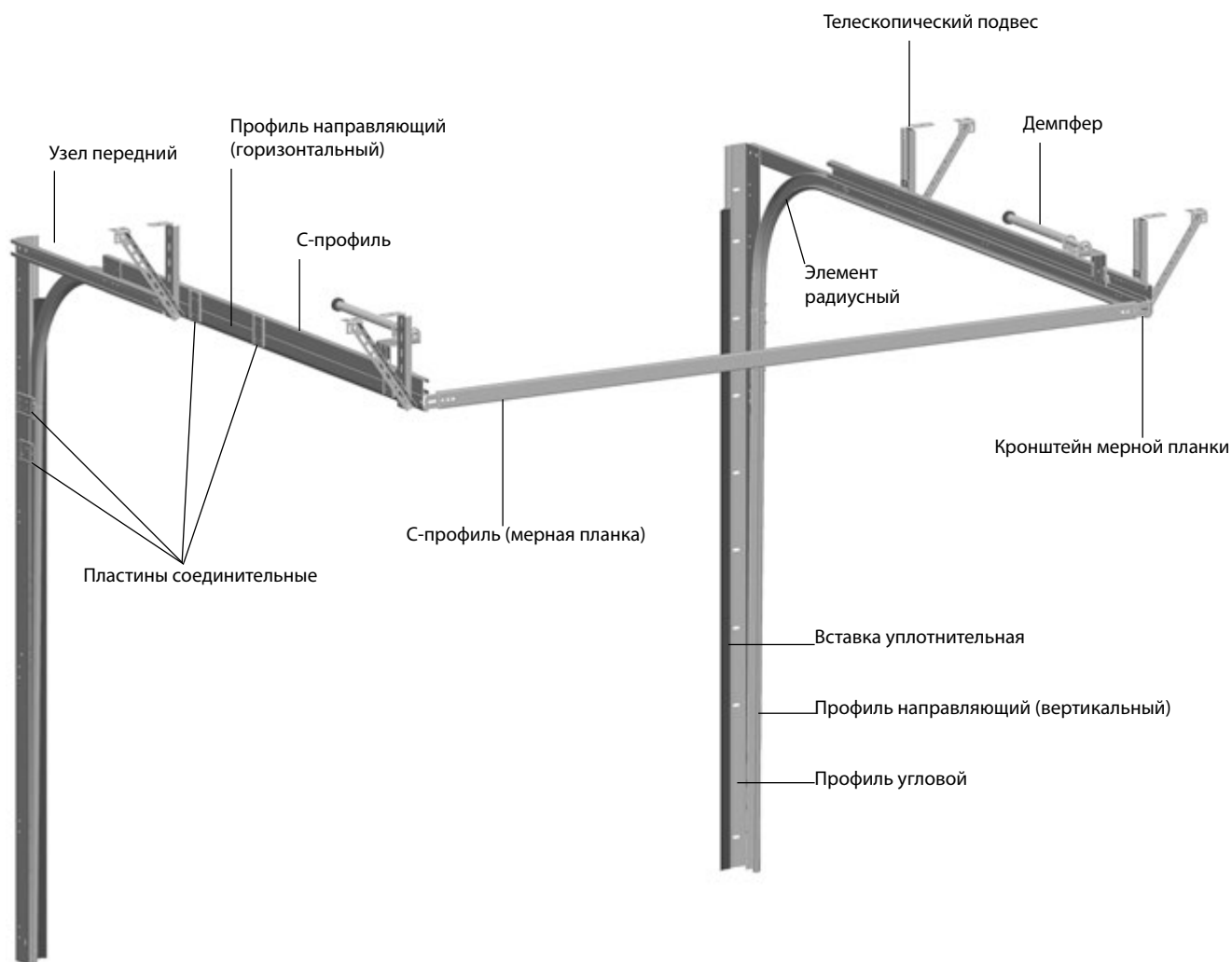
**ТИПОВАЯ КОНСТРУКЦИЯ СИСТЕМЫ НАПРАВЛЯЮЩИХ И ПОДВЕСА
ГАРАЖНЫХ ВОРОТ С ТОРСИОННЫМИ ПРУЖИНАМИ**

СТАНДАРТНЫЙ ТИП МОНТАЖА



**ТИПОВАЯ КОНСТРУКЦИЯ СИСТЕМЫ НАПРАВЛЯЮЩИХ И ПОДВЕСА
ПРОМЫШЛЕННЫХ ВОРОТ**

СТАНДАРТНЫЙ ТИП МОНТАЖА



1.4

УСТАНОВКА ПРОФИЛЯ УГЛОВОГО И ОГРАНИЧИТЕЛЯ УГЛОВОЙ СТОЙКИ

ГАРАЖНЫЕ ВОРОТА

Профиль угловой

Предназначен для изготовления вертикальных направляющих. Используется в гаражных воротах с пружинами растяжения и торсионными пружинами всех типов монтажа.

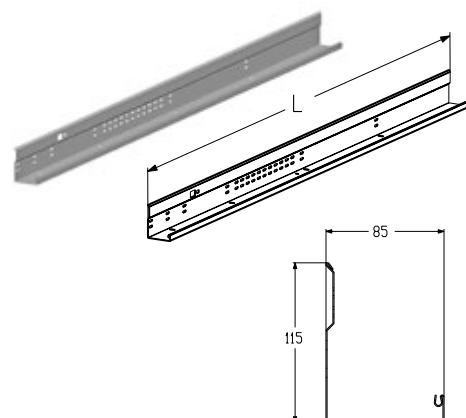
Толщина (S), мм	0,8
Материал	оцинкованная сталь
Покрытие	полимерное
Цвет	белый (близкий RAL 9016)
Вес, кг/м	1,537
Единица измерения	м

Артикул	Код	Применение	Длина (L), мм
PRG-30L-1770	402050112	Левый	1770
PRG-30L-1895	402050212		1895
PRG-30L-2020	402050312		2020
PRG-30L-2145	402050412		2145
PRG-30L-2270	402050512		2270
PRG-30L-2395	402050612		2395
PRG-30L-2520	402050712		2520
PRG-30L-2645	402050812		2645
PRG-30L-2770	402050912		2770
PRG-30L-2895	402051012		2895
PRG-30L-3020	402051112		3020
PRG-30L-3145	402051212		3145
PRG-30R-1770	402051312		Правый
PRG-30R-1895	402051412	1895	
PRG-30R-2020	402051512	2020	
PRG-30R-2145	402051612	2145	
PRG-30R-2270	402051712	2270	
PRG-30R-2395	402051812	2395	
PRG-30R-2520	402051912	2520	
PRG-30R-2645	402052012	2645	
PRG-30R-2770	402052112	2770	
PRG-30R-2895	402052212	2895	
PRG-30R-3020	402052312	3020	
PRG-30R-3145	402052412	3145	

Профиль угловой



Ограничитель угловой стойки



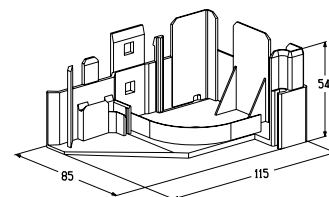
Ограничитель угловой стойки

Устанавливается совместно с профилем угловым (PRG-30). Используется в гаражных воротах с пружинами растяжения и торсионными пружинами всех типов монтажа.

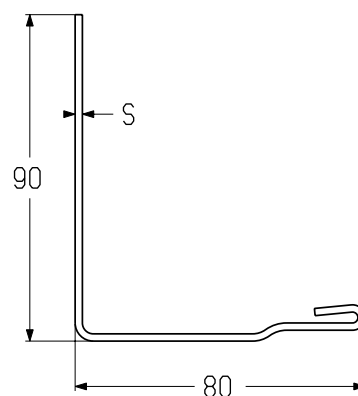
Материал	полиамид стеклонаполненный
Вес, кг/шт.	0,042
Единица измерения	шт.
Норма поставки, шт.	30



Артикул	Код	Применение
LD-3508R	418700049	Правый
LD-3508L	418700048	Левый



УСТАНОВКА ПРОФИЛЯ УГЛОВОГО
ПРОМЫШЛЕННЫЕ ВОРОТА



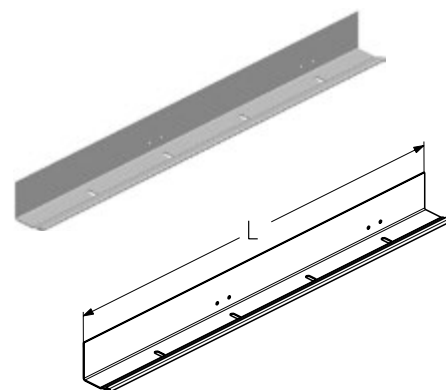
1.4

Профиль угловой

Предназначен для изготовления вертикальных направляющих. Используется в промышленных воротах всех типов монтажа, кроме низкого и наклонного низкого.

Толщина (S), мм 2
 Материал оцинкованная сталь
 Вес, кг/м 2,74
 Единица измерения м

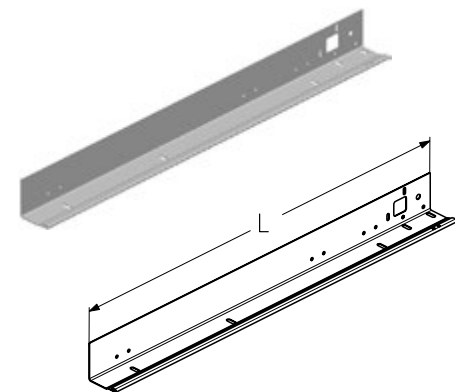
Артикул	Код	Длина (L), мм	Норма поставки	
			м	шт.
PRG01-3355	402030000	3355	100,65	30
PRG01-4155	402030100	4155	124,65	
PRG01-4555	402030200	4555	136,65	
PRG01-6000	402030300	6000	180,00	



Профиль угловой

Предназначен для изготовления вертикальных направляющих. Используется в промышленных воротах низкого типа монтажа.

Толщина (S), мм 2
 Материал оцинкованная сталь
 Вес, кг/м 2,74
 Единица измерения м

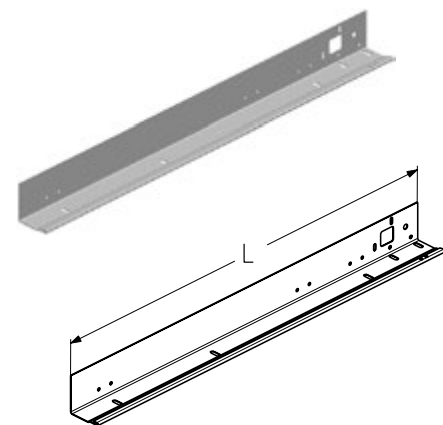


Артикул	Код	Применение	Длина (L), мм	Норма поставки	
				м	шт.
PRG01LL-3355	402030400	Левый	3355	50,33	15
PRG01LL-4155	402030600		4155	62,33	
PRG01LL-4555	402030800		4555	68,33	
PRG01LL-6000	402031000		6000	90,00	
PRG01LR-3355	402030500	Правый	3355	50,33	
PRG01LR-4155	402030700		4155	62,33	
PRG01LR-4555	402030900		4555	68,33	
PRG01LR-6000	402031100		6000	90,00	

Профиль угловой

Предназначен для изготовления вертикальных направляющих. Используется в промышленных воротах наклонного низкого типа монтажа.

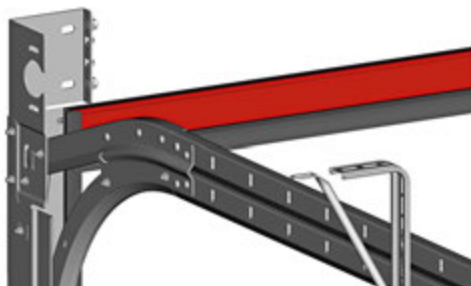
Толщина (S), мм 2
 Материал оцинкованная сталь
 Вес, кг/м 2,74
 Единица измерения м



Артикул	Код	Применение	Длина (L), мм	Норма поставки	
				м	шт.
PRG01LFL-3355	402031200	Левый	3355	50,33	15
PRG01LFL-4155	402031400		4155	62,33	
PRG01LFL-4555	402031600		4555	68,33	
PRG01LFL-6000	402031800		6000	90,00	
PRG01LFR-3355	402031300	Правый	3355	50,33	
PRG01LFR-4155	402031500		4155	62,33	
PRG01LFR-4555	402031700		4555	68,33	
PRG01LFR-6000	402031900		6000	90,00	

УСТАНОВКА ПРОФИЛЯ ПЕРЕДНЕГО

Профиль передний (PRG-35)



Профиль передний (PRG05S)



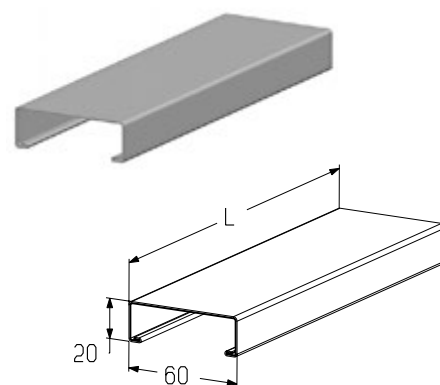
1.4

Профиль передний (нащельник)

Предназначен для соединения профилей угловых и для крепления вставки уплотнительной (RST-13T). Используется в гаражных воротах с пружинами растяжения и торсионными пружинами всех типов монтажа.

Толщина (S), мм	0,8
Материал	оцинкованная сталь
Покрытие	полимерное
Цвет	белый (близкий RAL 9016)
Вес, кг/м	0,718
Единица измерения	м

Артикул	Код
PRG-35-5700	402052512

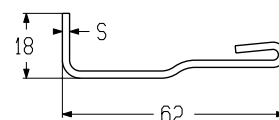
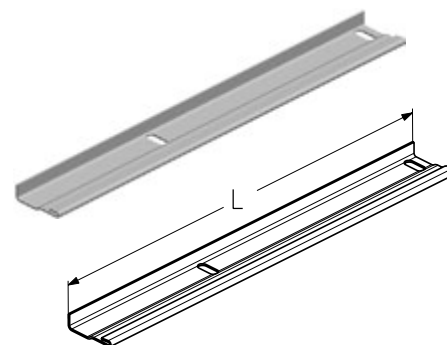


Профиль передний (нащельник)

Предназначен для соединения профилей угловых и для крепления вставки уплотнительной (IS85). Используется в промышленных воротах низкого и наклонного низкого типов монтажа.

Толщина (S), мм	1,2
Материал	оцинкованная сталь
Вес, кг/м	0,825
Единица измерения	м

Артикул	Код	Длина (L), мм	Норма поставки	
			м	шт.
PRG05S	402431000	5600	336,00	60
		6000	360,00	



УСТАНОВКА ВСТАВКИ УПЛОТНИТЕЛЬНОЙ

ГАРАЖНЫЕ ВОРОТА

Вставка уплотнительная (RSS-14T)



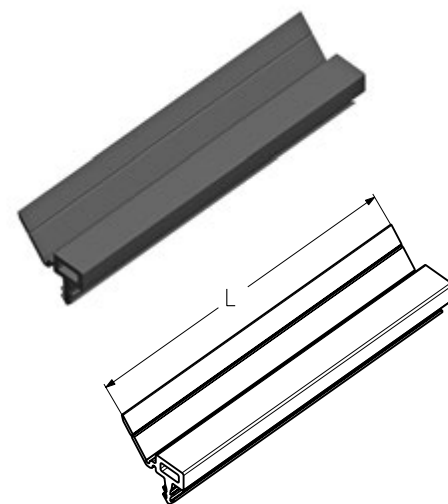
Вставка уплотнительная (RST-13T)



Вставка уплотнительная

Предназначена для герметизации проема. Устанавливается совместно с профилем угловым (PRG-30) в гаражных воротах с пружинами растяжения и торсионными пружинами всех типов монтажа.

Материал R.PVH/TPE
 Вес, кг/м 0,113
 Единица измерения м

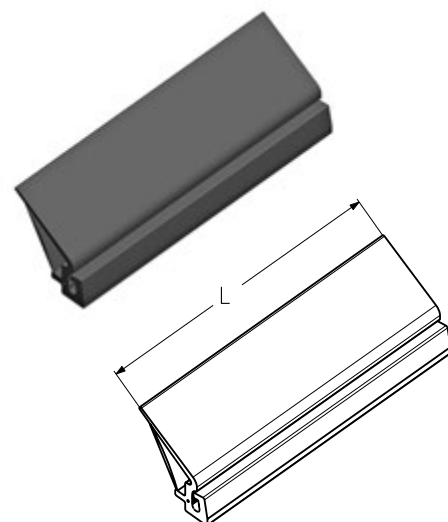


Артикул	Код	Длина (L), мм	Норма поставки	
			м	шт.
RSS-14T-2290	417500198	2290	57,25	25
RSS-14T-2410	417500199	2410	60,25	
RSS-14T-2700	417500200	2700	67,50	
RSS-14T-3160	417500201	3160	79,00	
RSS-14T-3310	417500202	3310	82,75	

Вставка уплотнительная

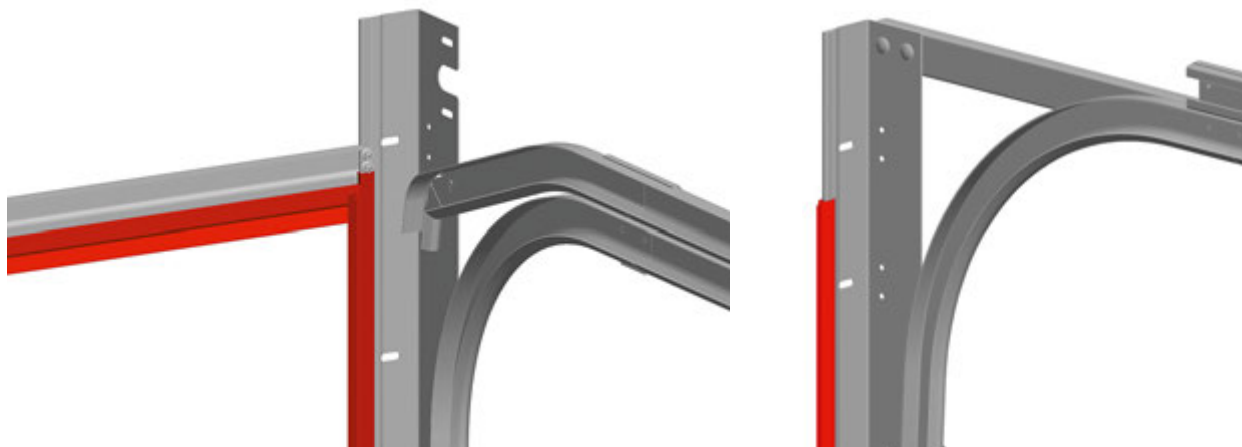
Предназначена для герметизации проема. Устанавливается совместно с профилем передним (PRG-35) в гаражных воротах с пружинами растяжения и торсионными пружинами всех типов монтажа.

Материал EPDM
 Вес, кг/м 0,119
 Единица измерения м
 Норма поставки, м 100



Артикул	Код
RST-13T	401541000

УСТАНОВКА ВСТАВКИ УПЛОТНИТЕЛЬНОЙ



1.4

Вставка уплотнительная

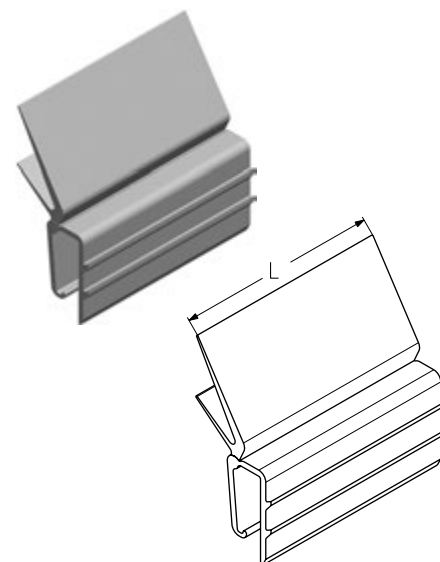
Предназначена для герметизации проема. Устанавливается:

- совместно с профилем передним в промышленных воротах низкого и наклонного низкого типов монтажа;
- совместно с профилем угловым в промышленных воротах всех типов монтажа.

Материал PVC и TPR

Вес, кг/м 0,2

Единица измерения м

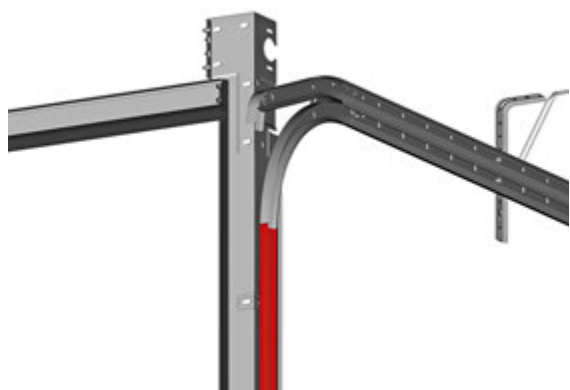


Артикул	Код	Длина (L), мм	Норма поставки	
			м	шт.
IS85-2550	401540600	2550	25,50	10
IS85-3060	401540100	3060	30,60	
IS85-3550	401540700	3550	35,50	
IS85-4100	401541200	4100	41,00	
IS85-4580	401541300	4580	45,80	
IS85-6000	401541300	6000	60,00	
IS85-7000	401540800	7000	70,00	
IS85-8000	401540900	8000	80,00	

УСТАНОВКА ПРОФИЛЯ НАПРАВЛЯЮЩЕГО

ГАРАЖНЫЕ ВОРОТА

Профиль направляющий (PRG31)



Профиль направляющий (PRG32)

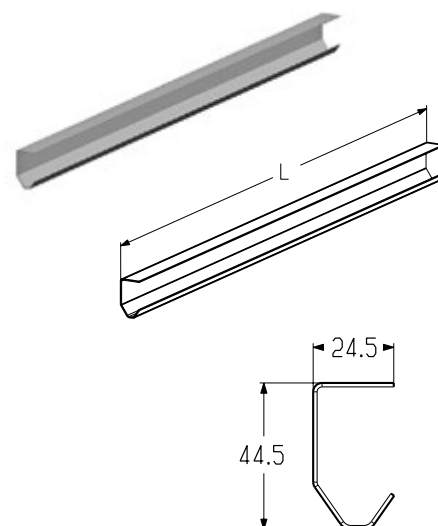


Профиль направляющий (вертикальный)

Предназначен для создания траектории движения полотна ворот в вертикальной плоскости. Устанавливается совместно с профилем угловым (PRG-30). Используется в гаражных воротах с пружинами растяжения и торсионными пружинами всех типов монтажа.

Толщина (S), мм	1,2
Материал	оцинкованная сталь
Вес, кг/м	0,824
Единица измерения	м

Артикул	Код	Длина (L), мм
PRG-31-5700	402110900	5700
PRG-31-6040	402112500	6040

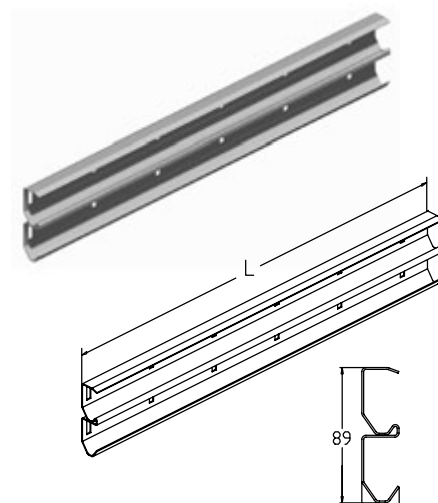


Профиль направляющий (горизонтальный)

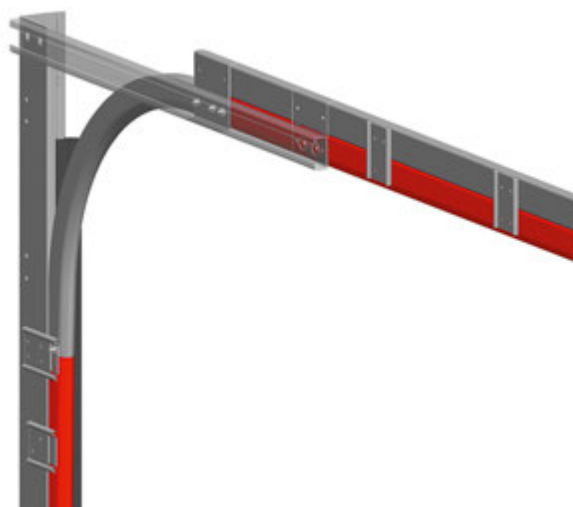
Предназначен для создания траектории движения полотна ворот в горизонтальной плоскости. Используется в гаражных воротах с пружинами растяжения и торсионными пружинами всех типов монтажа.

Толщина (S), мм	1,2
Материал	оцинкованная сталь
Вес, кг/м	0,824
Единица измерения	м

Артикул	Код	Длина (L), мм
PRG-32-5700	402111000	5700



УСТАНОВКА ПРОФИЛЯ НАПРАВЛЯЮЩЕГО
ПРОМЫШЛЕННЫЕ ВОРОТА

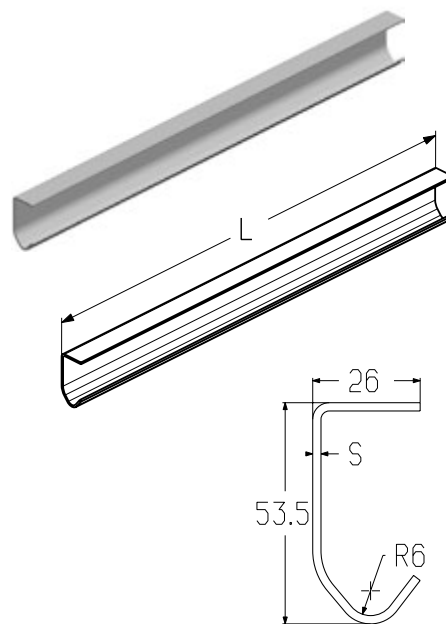


1.4

Профиль направляющий

Предназначен для создания траектории движения полотна ворот. Устанавливается совместно с профилем угловым (PRG01). Используется в промышленных воротах всех типов монтажа.

Толщина (S), мм 2
 Материал оцинкованная сталь
 Вес, кг/м 1,145
 Единица измерения м



Артикул	Код	Длина (L), мм	Норма поставки	
			м	шт.
PRG03-2300	402120000	2300	115,00	50
PRG03-2800	402120100	2800	140,00	
PRG03-3500	402120200	3500	175,00	
PRG03-4000	402120300	4000	200,00	
PRG03-4500	402120400	4500	225,00	
PRG03-6000	402120500	6000	300,00	

УСТАНОВКА ЭЛЕМЕНТА РАДИУСНОГО

Элемент радиусный гаражных ворот



Элемент радиусный промышленных ворот

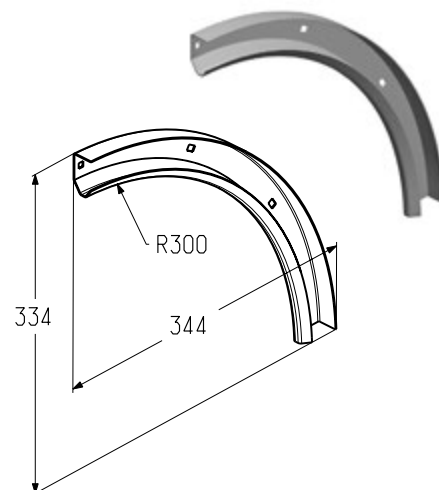


Элемент радиусный

Предназначен для соединения вертикальной и горизонтальной направляющих. Используется в гаражных воротах с пружинами растяжения и торсионными пружинами всех типов монтажа.

Радиус, мм	300
Толщина, мм	1,2
Материал	оцинкованная сталь
Вес, кг./шт.	0,41
Единица измерения	шт.

Артикул	Код
RE-801T	402210400

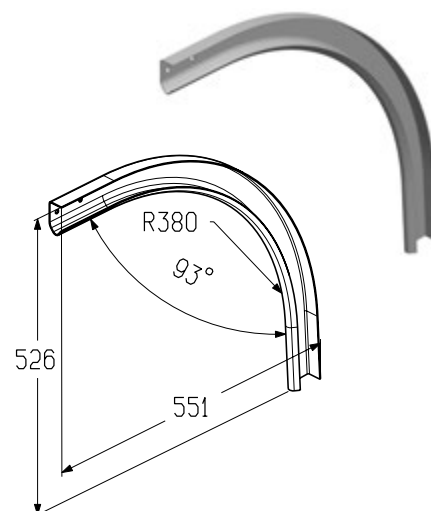


Элемент радиусный левый
Элемент радиусный правый

Предназначен для соединения вертикальной и горизонтальной направляющих. Используется в промышленных воротах стандартного, высокого с верхним и нижним расположением вала и низкого типов монтажа.

Радиус, мм	380
Толщина (S), мм	2
Материал	оцинкованная сталь
Вес, кг./шт.	1,274
Единица измерения	шт.
Норма поставки, шт.	60

Артикул	Код	Применение
RE101L	402230000	Левый
RE101R	402230100	Правый

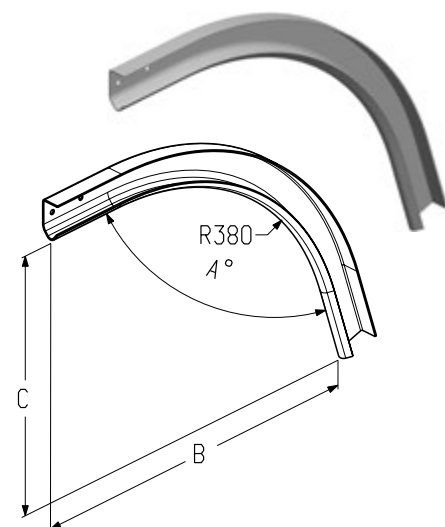


ПРОФИЛИ НАПРАВЛЯЮЩИЕ

Элемент радиусный левый
Элемент радиусный правый

Предназначен для соединения вертикальной и горизонтальной направляющих. Используется в промышленных воротах наклонного, наклонного высокого с верхним и нижним расположением вала, наклонного низкого типов монтажа.

Радиус, мм	380
Толщина (S), мм	2
Материал	оцинкованная сталь
Единица измерения	шт.
Норма поставки, шт.	60



1.4

Артикул	Код	Основные размеры			Угол наклона*, град	Вес, кг/шт.	Применение
		А, град	В, мм	С, мм			
RE101FL-5	402230200	97	445		5	1,22	Левый
RE101FR-5	402230300						Правый
RE101FL-10	402230400	102	411		10	1,16	Левый
RE101FR-10	402230500						Правый
RE101FL-15	402230600	107	376		15	1,11	Левый
RE101FR-15	402230700						Правый
RE101FL-20	402230800	112	342		20	1,06	Левый
RE101FR-20	402230900						Правый
RE101FL-25	402231000	117	307		25	1,05	Левый
RE101FR-25	402231100						Правый
RE101FL-30	402231200	122	274		30	0,96	Левый
RE101FR-30	402231300						Правый
RE101FL-35	402231400	128	260		35	1,00	Левый
RE101FR-35	402231500						Правый
RE101FL-40	402231600	133	245		40	1,02	Левый
RE101FR-40	402231700						Правый
RE101FL-45	402231800	138	210	230	45	1,01	Левый
RE101FR-45	402231900						Правый

* Угол наклона горизонтальной направляющей.

УСТАНОВКА УЗЛА НАПРАВЛЯЮЩЕГО ПЕРЕДНЕГО
ГАРАЖНЫЕ ВОРОТА

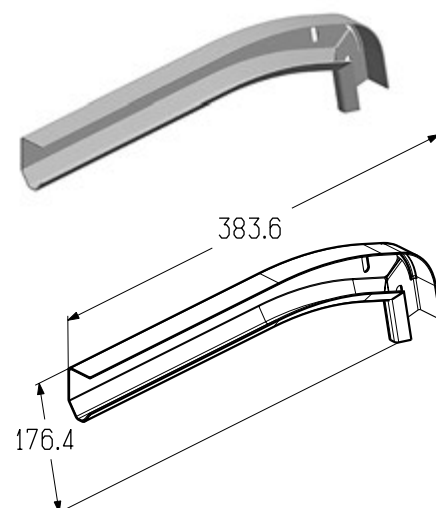


Узел направляющий передний

Предназначен для создания траектории движения верхней панели полотна ворот совместно с профилем направляющим (**PRG-31, PRG-32**). Используется в гаражных воротах с пружинами растяжения и торсионными пружинами низкого типа монтажа.

Толщина, мм 1,2
 Материал оцинкованная сталь
 Единица измерения шт.

Артикул	Код	Применение
S-3505LL	402310400	Левый
S-3505LR	402310500	Правый

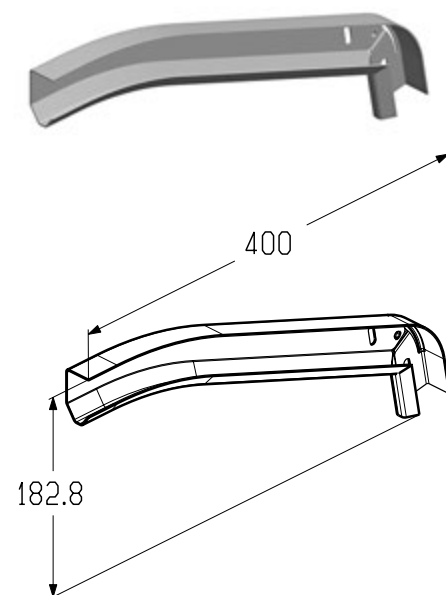


Узел направляющий передний

Предназначен для создания траектории движения верхней панели полотна ворот совместно с профилем направляющим (**PRG-31, PRG-32**). Используется в гаражных воротах с торсионными пружинами стандартного типа монтажа.

Толщина, мм 1,2
 Материал оцинкованная сталь
 Единица измерения шт.

Артикул	Код	Применение
S-3506NL	402310600	Левый
S-3506NR	402310700	Правый

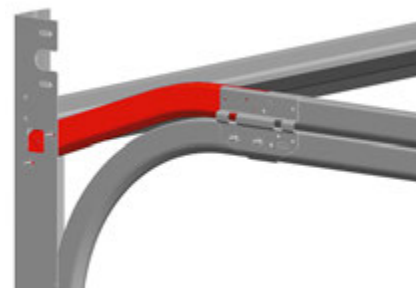


УСТАНОВКА УЗЛА НАПРАВЛЯЮЩЕГО ПЕРЕДНЕГО
ПРОМЫШЛЕННЫЕ ВОРОТА

Узел направляющий передний левый
Узел направляющий передний правый

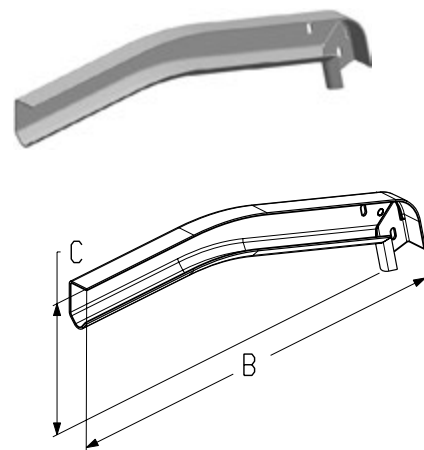
Предназначен для создания траектории движения верхней панели полотна ворот совместно с профилем направляющим (PRG03). Используется в промышленных воротах наклонного низкого типа монтажа.

Толщина (S), мм 2
Материал оцинкованная сталь
Единица измерения шт.
Норма поставки, шт. 60



1.4

Артикул	Код	Основные размеры, мм		Угол наклона*, град	Вес, кг/шт.	Применение
		В	С			
S140FL-5	402330200	559	237	5	0,87	Левый
S140FR-5	402330300					Правый
S140FL-10	402330400	543	201	10	0,81	Левый
S140FR-10	402330500					Правый
S140FL-15	402330600	506	168	15	0,76	Левый
S140FR-15	402330700					Правый
S140FL-20	402330800	473	139	20	0,71	Левый
S140FR-20	402330900					Правый
S140FL-25	402331000	441	111	25	0,69	Левый
S140FR-25	402331100					Правый
S140FL-30	402331200	409	86	30	0,65	Левый
S140FR-30	402331300			Правый		
S140FL-35	402331600	427	86	35	0,65	Левый
S140FR-35	402331700			Правый		
S140FL-40	402331800	407	86	40	0,62	Левый
S140FR-40	402331900			Правый		
S140FL-45	402332000	407	86	45	0,62	Левый
S140FR-45	402332100					Правый

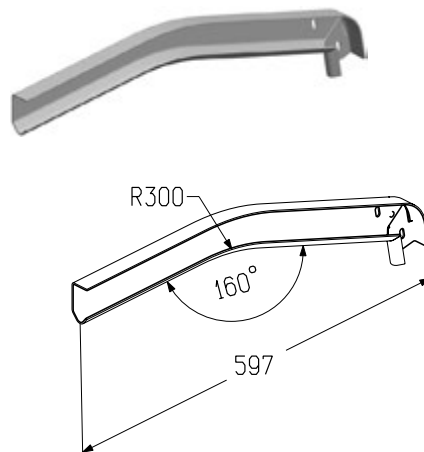


* Угол наклона горизонтальной направляющей.

Узел направляющий передний левый
Узел направляющий передний правый

Предназначен для создания траектории движения верхней панели полотна ворот совместно с профилем направляющим (PRG03). Используется в промышленных воротах низкого типа монтажа.

Толщина (S), мм 2
Материал оцинкованная сталь
Вес, кг/шт. 0,875
Единица измерения шт.
Норма поставки, шт. 60



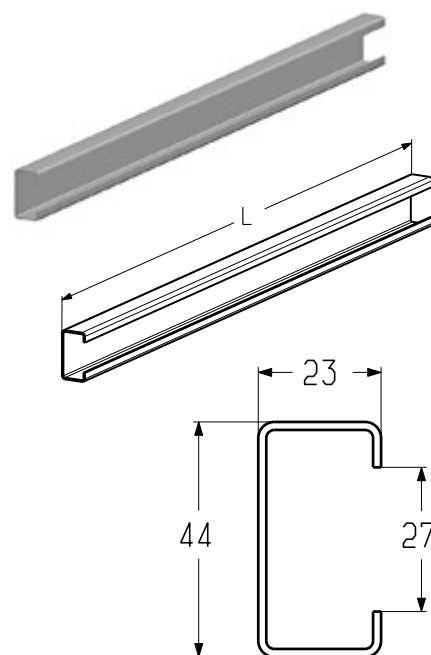
Артикул	Код	Применение
S140LL	402330000	Левый
S140LR	402330100	Правый

С-профиль

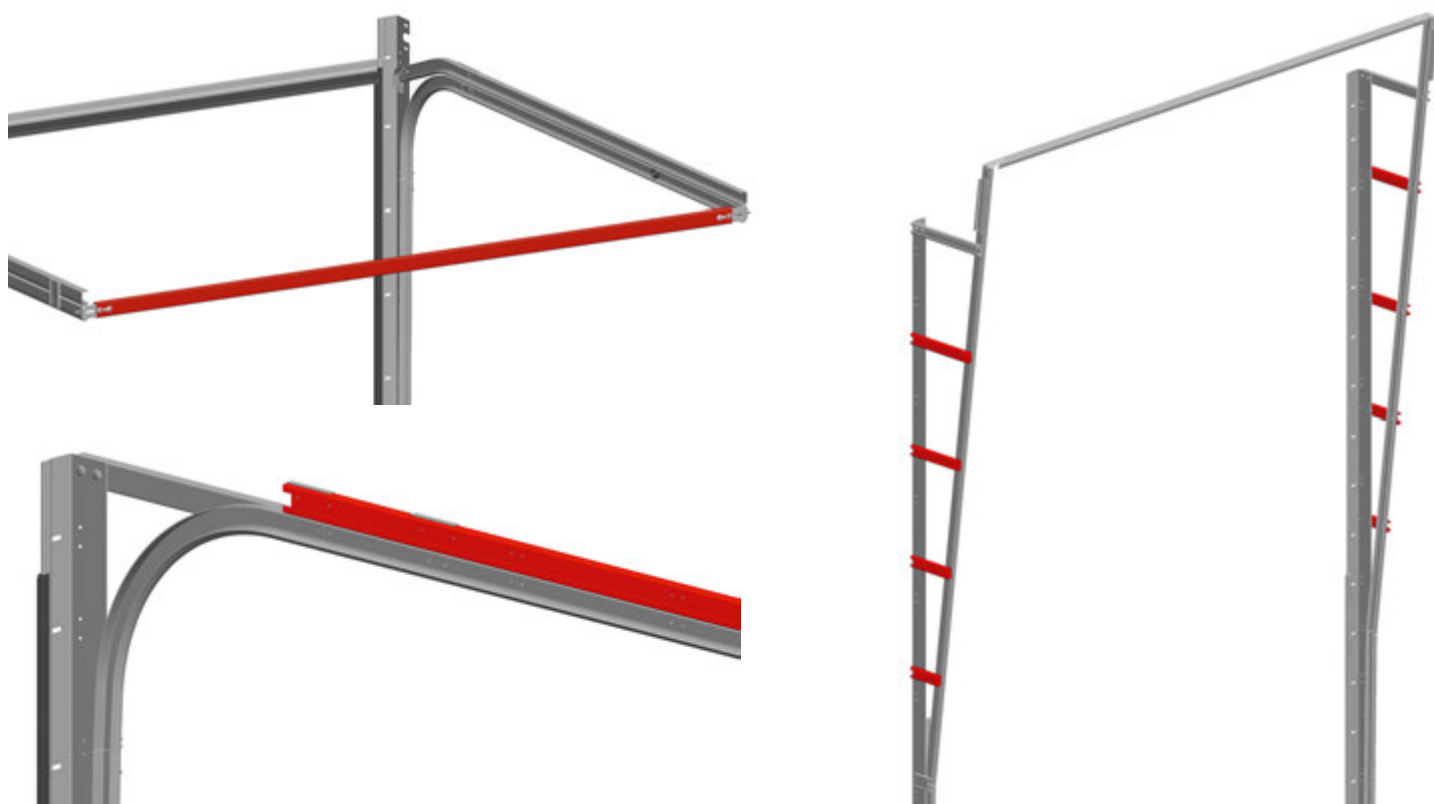
Предназначен для изготовления мерной планки. Используется в гаражных воротах с пружинами растяжения и торсионными пружинами всех типов монтажа.

Толщина, мм 1,5
 Материал оцинкованная сталь
 Длина, мм 5700
 Вес, кг/м 1,133
 Единица измерения м

Артикул	Код
PRG-33-5700	402480100



УСТАНОВКА С-ПРОФИЛЯ

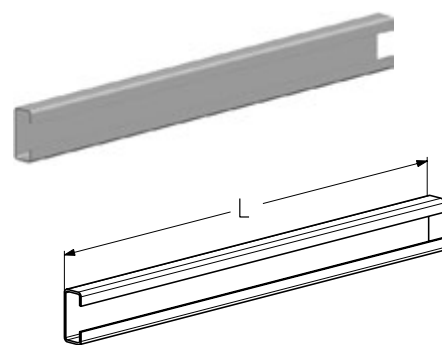


С-профиль

Предназначен для:

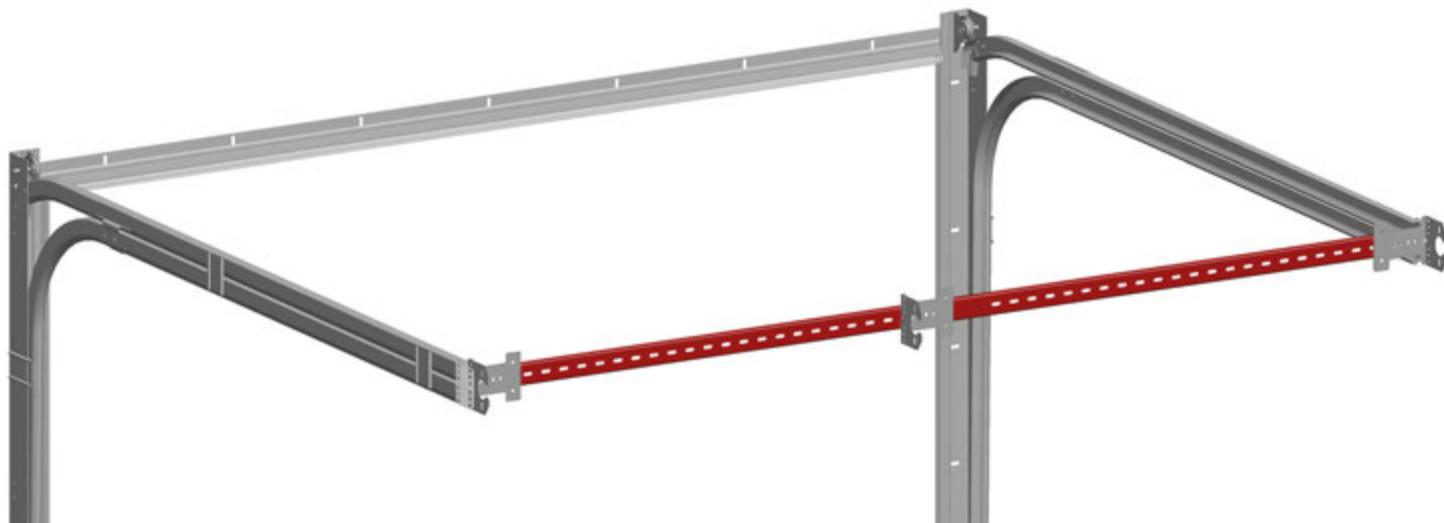
- изготовления мерной планки в промышленных воротах всех типов монтажа, кроме низкого и наклонного низкого.
- усиления горизонтальной направляющей в промышленных воротах всех типов монтажа, кроме низкого и наклонного низкого.
- соединения профиля углового и профиля направляющего в промышленных воротах вертикального типа монтажа с верхним расположением вала.

Толщина, мм 2
 Материал оцинкованная сталь
 Вес, кг/м 1,74
 Единица измерения м



Артикул	Код	Длина (L), мм	Норма поставки	
			м	шт.
PRG07N	402421600	3045	152,25	50
		3245	162,25	
		3550	177,50	
		4050	202,50	
		4550	227,50	
		5106	255,30	
		5600	280,00	
		6000	300,00	
		6800	340,00	
		10040	502,00	

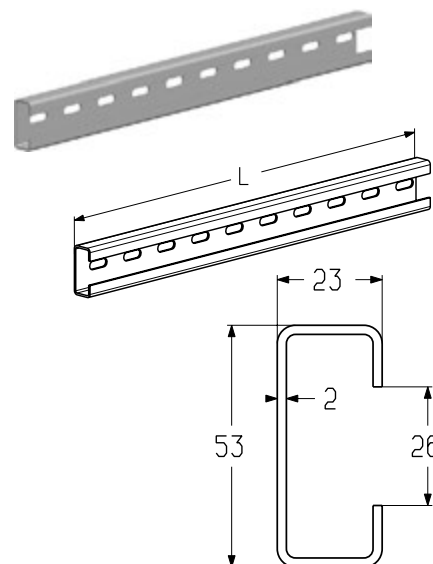
УСТАНОВКА С-ПРОФИЛЯ (МЕРНОЙ ПЛАНКИ)



С-профиль

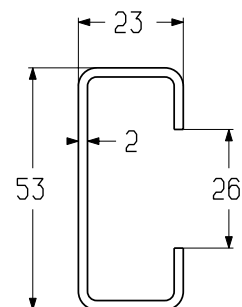
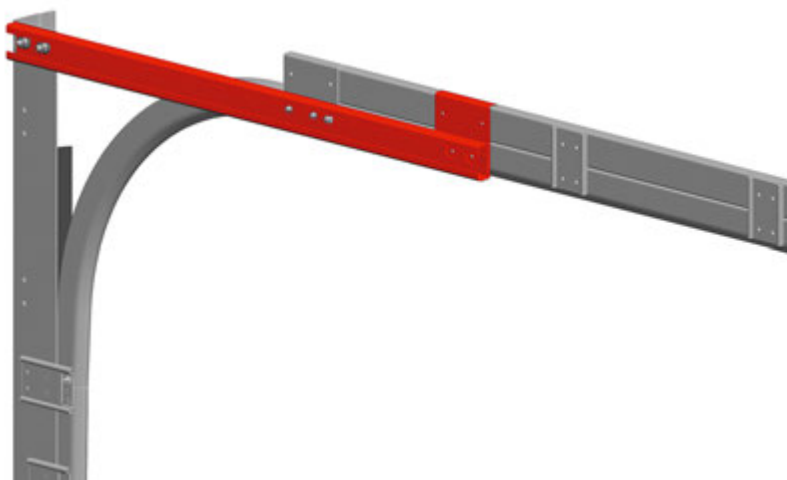
Перфорированный, предназначен для изготовления мерной планки. Используется в промышленных воротах низкого и наклонного низкого типов монтажа.

Толщина, мм 2
 Материал оцинкованная сталь
 Вес, кг/м 1,67
 Единица измерения м



Артикул	Код	Длина (L), мм	Норма поставки	
			м	шт.
PRG07	402421500	6000	300	50

УСТАНОВКА УЗЛА ПЕРЕДНЕГО



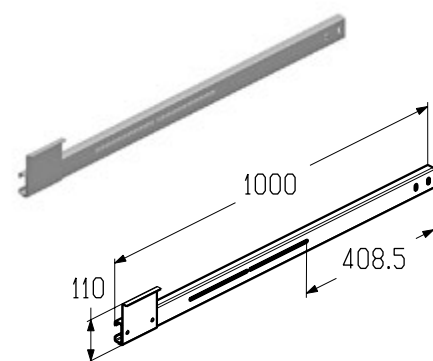
1.4

Узел передний левый Узел передний правый

Предназначен для соединения профиля углового с горизонтальной направляющей. Используется в промышленных воротах стандартного и высокого с верхним и нижним расположением вала типов монтажа.

Материал оцинкованная сталь
Вес, кг/шт. 1,89
Единица измерения шт.
Норма поставки, шт. 100

Артикул	Код	Применение
S-171L	402500300	Левый
S-171R	402500400	Правый

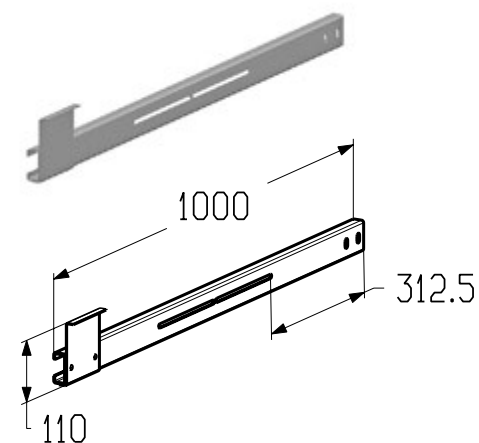


Узел передний левый Узел передний правый

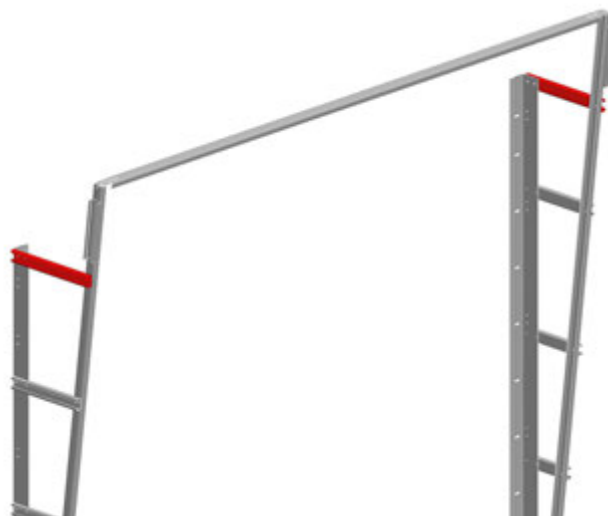
Предназначен для соединения профиля углового с горизонтальной направляющей. Используется в промышленных воротах наклонного, наклонного высокого с верхним и нижним расположением вала типов монтажа, высокого с верхним и нижним расположением вала типов монтажа.

Материал оцинкованная сталь
Вес, кг/шт. 1,835
Единица измерения шт.
Норма поставки, шт. 100

Артикул	Код	Применение
S-172L	402500500	Левый
S-172R	402500600	Правый



УСТАНОВКА КРОНШТЕЙНА СОЕДИНИТЕЛЬНОГО

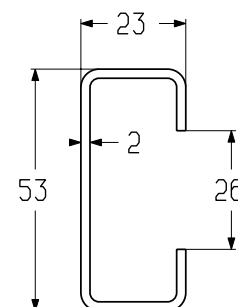
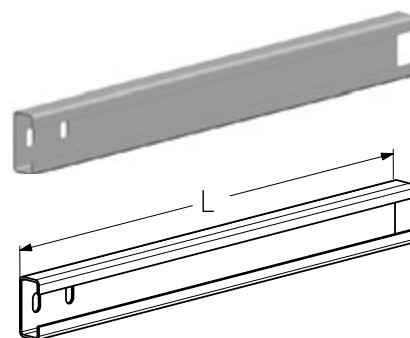


Кронштейн соединительный

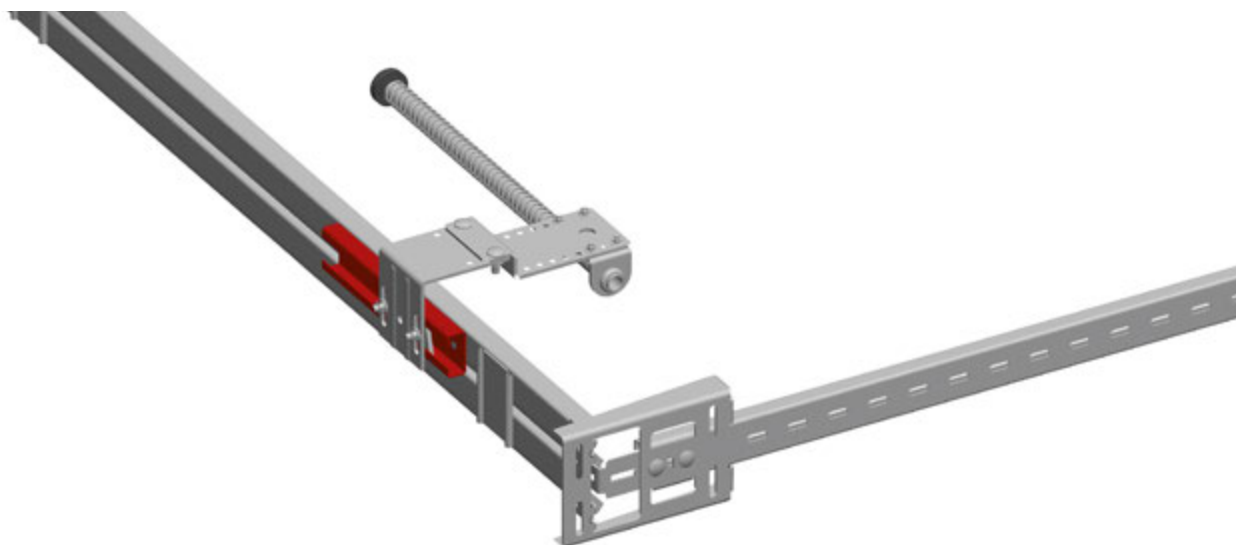
Предназначен для соединения профиля углового и профиля направляющего. Используется в промышленных воротах вертикального типа монтажа с верхним расположением вала.

Материал оцинкованная сталь
 Единица измерения шт.
 Норма поставки, шт. 100

Артикул	Код	Длина (L), мм	Вес, кг/шт.
СВ132-450	402600000	450	0,750
СВ132-500	402600100	500	0,828



УСТАНОВКА КРОНШТЕЙНА



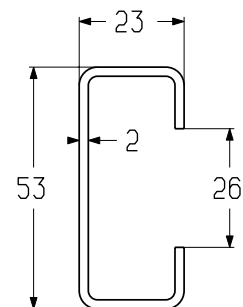
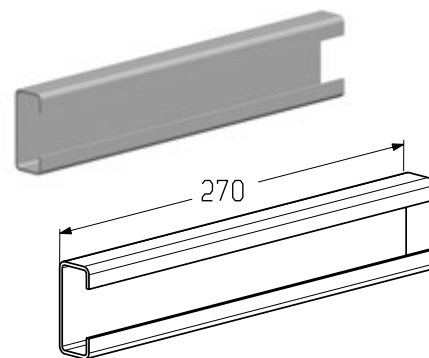
1.4

Кронштейн

Предназначен для установки демпферов. Используется:

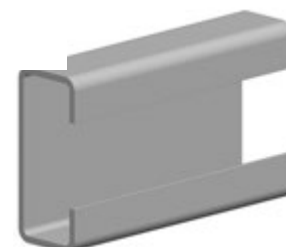
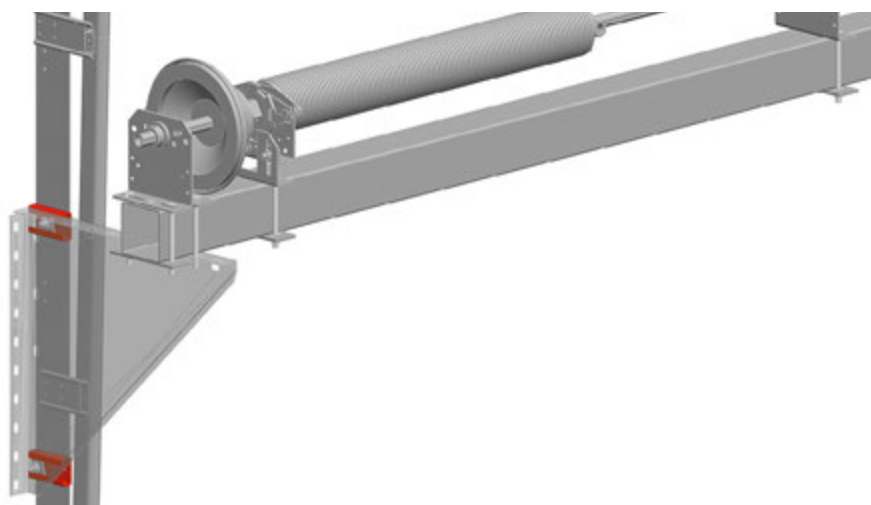
- в гаражных воротах высокого типа монтажа;
- в промышленных воротах вертикального типа монтажа с верхним и нижним расположением вала, низкого и наклонного низкого типов монтажа.

Длина, мм	270
Материал	оцинкованная сталь
Вес, кг/шт.	0,29
Единица измерения	шт.
Норма поставки, шт.	50



Артикул	Код
B134	402600200

УСТАНОВКА КРОНШТЕЙНА

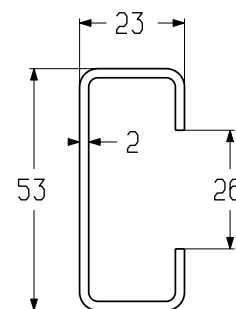
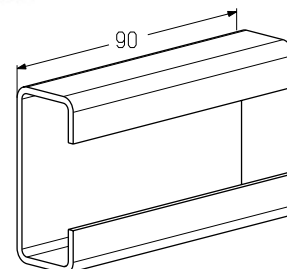


Кронштейн

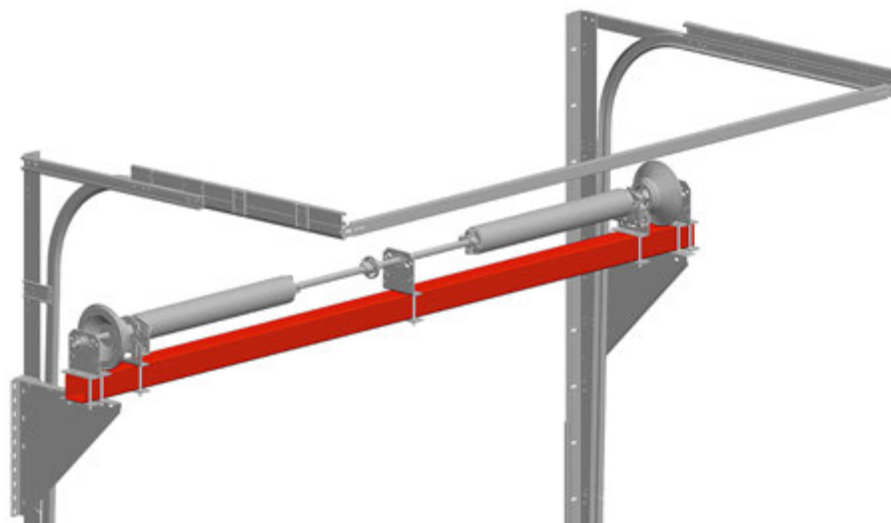
Предназначен для установки кронштейна (TP-550). Используется в промышленных воротах высокого, вертикального, наклонного высокого типов монтажа с нижним расположением вала.

Материал оцинкованная сталь
 Вес, кг/шт. 0,15
 Единица измерения шт.
 Норма поставки, шт. 150

Артикул	Код
V133	402600300



УСТАНОВКА ПРОФИЛЯ НЕСУЩЕГО

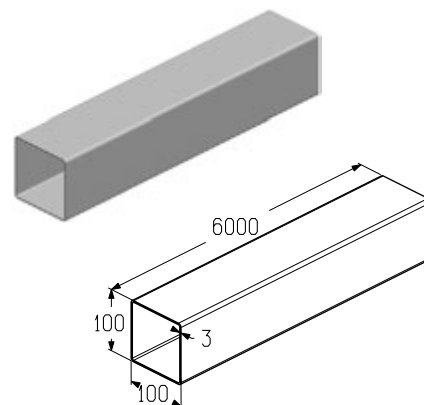


1.4

Профиль несущий

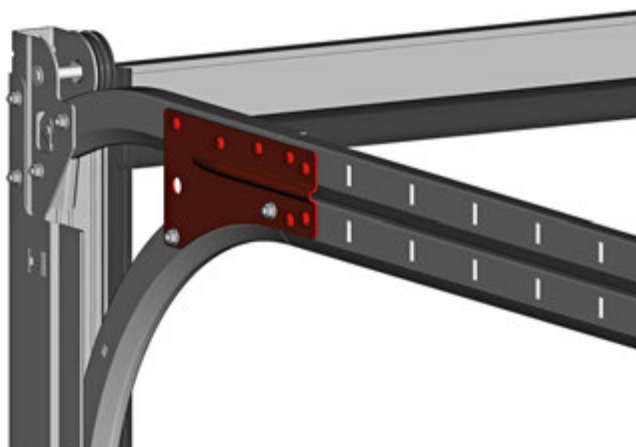
Предназначен для установки торсионного вала. Используется в промышленных воротах высокого, вертикального, наклонного высокого типов монтажа с нижним расположением вала.

Длина, мм 6000
 Материал оцинкованная сталь
 Вес, кг/м 9
 Единица измерения м
 Норма поставки, м 54



Артикул	Код
T-100-6000	402440000

УСТАНОВКА ПЛАСТИНЫ СОЕДИНИТЕЛЬНОЙ

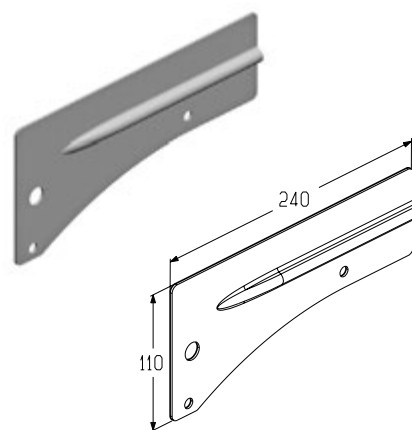


Пластина соединительная

Предназначена для соединения горизонтальной направляющей с элементом радиусным и узлом направляющим передним. Используется в гаражных воротах с пружинами растяжения.

Материал оцинкованная сталь
 Вес, кг/шт. 0,33
 Единица измерения шт.
 Норма поставки, шт. 60

Артикул	Код	Применение
CP-3502R	402812000	Правая
CP-3502L	402812100	Левая

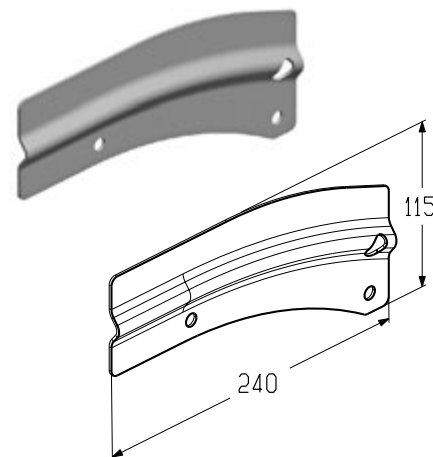


Пластина соединительная

Предназначена для соединения горизонтальной направляющей с элементом радиусным и узлом направляющим передним. Используется в гаражных воротах с торсионными пружинами стандартного типа монтажа.

Материал оцинкованная сталь
 Вес, кг/шт. 0,30
 Единица измерения шт.
 Норма поставки, шт. 80

Артикул	Код	Применение
CP-3504NR	402812400	Правая
CP-3504NL	402812500	Левая



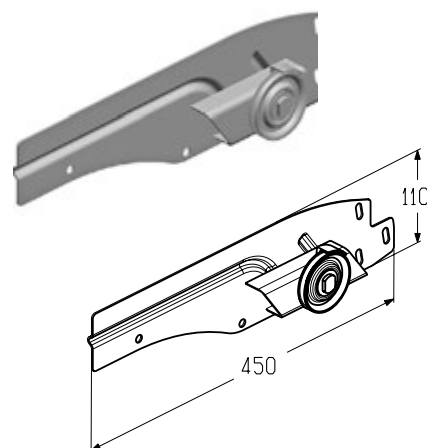
КРОНШТЕЙНЫ И ПЛАСТИНЫ СОЕДИНИТЕЛЬНЫЕ

Пластина соединительная

Предназначена для соединения горизонтальной направляющей с элементом радиусным и узлом направляющим передним. Используется в гаражных воротах с торсионными пружинами низкого типа монтажа.

Материал оцинкованная сталь
 Вес, кг/шт. 0,93
 Единица измерения шт.
 Норма поставки, шт. 20

Артикул	Код	Применение
CP-3503LR	402812200	Правая
CP-3503LL	402812300	Левая



1.4

УСТАНОВКА КРОНШТЕЙНА

Кронштейн (B-180TL/R)



Кронштейн (B-180TNL/R)



Кронштейн

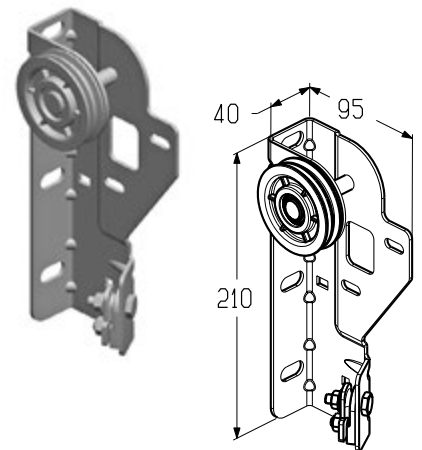
Предназначен для:

- крепления узла направляющего переднего;
- крепления троса.

Используется в гаражных воротах с пружинами растяжения.

Материал оцинкованная сталь
 Вес, кг/шт. 0,63
 Единица измерения шт.
 Норма поставки, шт. 30

Артикул	Код	Применение
B-180TL	402630300	Левый
B-180TR	402630400	Правый



Кронштейн

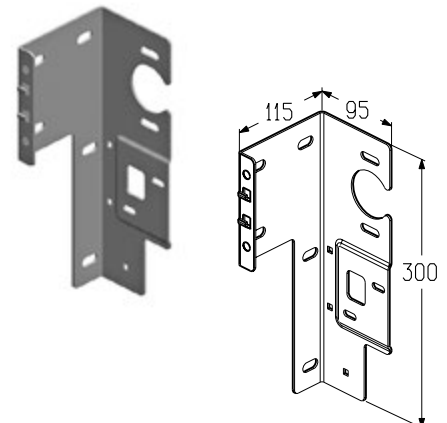
Предназначен для:

- крепления узла направляющего переднего;
- торсионного вала.

Используется в гаражных воротах с торсионными пружинами стандартного типа монтажа.

Материал оцинкованная сталь
 Вес, кг/шт. 0,89
 Единица измерения шт.
 Норма поставки, шт. 20

Артикул	Код	Применение
B-180TNL	402630700	Левый
B-180TNR	402630800	Правый



УСТАНОВКА КРОНШТЕЙНА



1.4

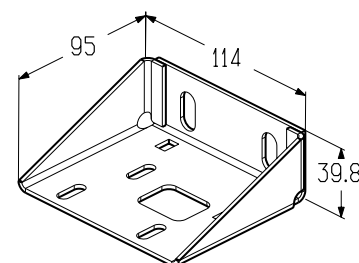
Кронштейн

Предназначен для крепления узла направляющего переднего. Используется в гаражных воротах с торсионными пружинами низкого типа монтажа.

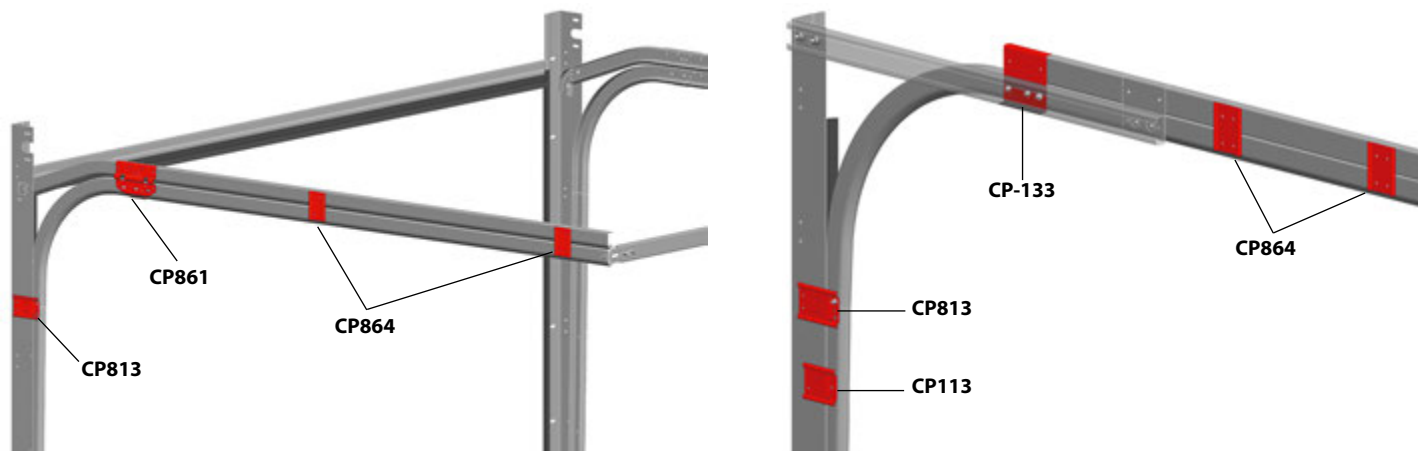
Материал оцинкованная сталь
 Вес, кг/шт. 0,23
 Единица измерения шт.
 Норма поставки, шт. 60



Артикул	Код	Применение
V-180TLL	402630500	Левый
V-180TLR	402630600	Правый



УСТАНОВКА ПЛАСТИН СОЕДИНИТЕЛЬНЫХ

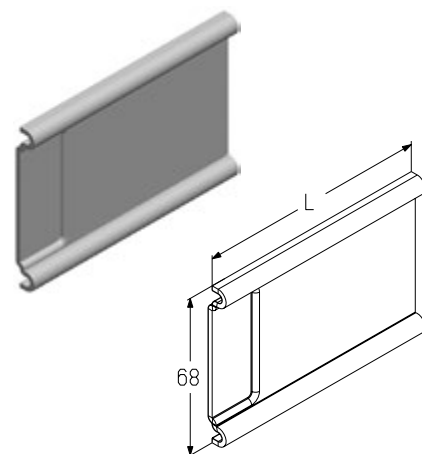


Пластина соединительная

Предназначена для соединения профиля углового с профилем направляющим (вертикальным).
Используется в промышленных воротах всех типов монтажа.

Материал оцинкованная сталь
Единица измерения шт.

Артикул	Код	Длина (L), мм	Вес, кг/шт.	Норма поставки, шт.
CP113-80	402810100	80	0,07	200
CP113-100	402810200	100	0,12	200
CP113-120	402810300	120	0,14	170
CP113-130	402810400	130	0,16	120
CP113-150	402810500	150	0,18	120
CP113-180	402810600	180	0,22	110

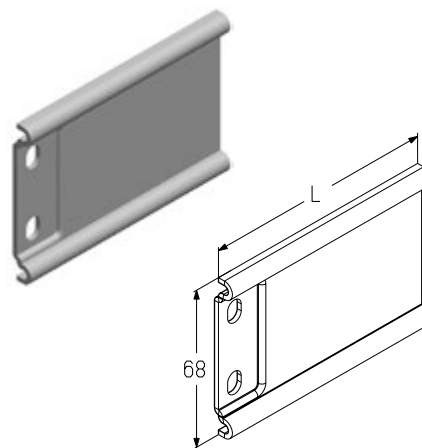


Пластина соединительная

Предназначена для соединения профиля углового с профилем направляющим (вертикальным).
Используется в промышленных воротах всех типов монтажа.

Материал оцинкованная сталь
Единица измерения шт.

Артикул	Код	Длина (L), мм	Вес, кг/шт.	Норма поставки, шт.
CP813-100	402810700	100	0,12	220
CP813-120	402810800	120	0,14	170
CP813-150	402810900	150	0,18	120
CP813-180	402811000	180	0,21	110



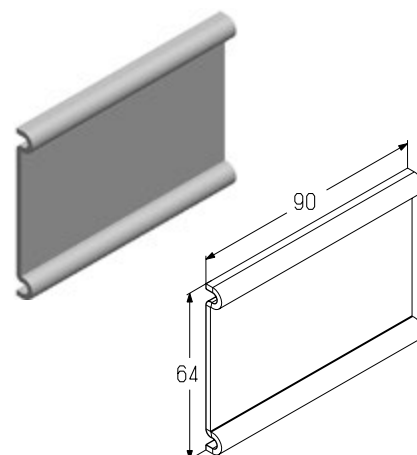
КРОНШТЕЙНЫ И ПЛАСТИНЫ СОЕДИНИТЕЛЬНЫЕ

Пластина соединительная

Предназначена для соединения горизонтальных направляющих. Используется в промышленных воротах всех типов монтажа.

Материал	оцинкованная сталь
Вес, кг/шт.	0,112
Единица измерения	шт.
Норма поставки, шт.	170

Артикул	Код
CP864	402811200



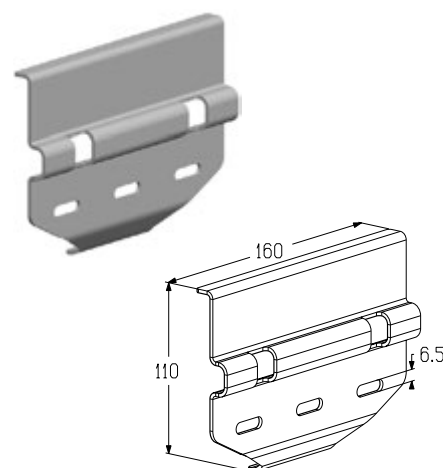
1.4

Пластина соединительная передняя

Предназначена для соединения горизонтальной направляющей с элементом радиусным и узлом направляющим передним. Используется в промышленных воротах низкого и наклонного низкого типов монтажа.

Толщина, мм	2
Материал	оцинкованная сталь
Вес, кг/шт.	0,294
Единица измерения	шт.
Норма поставки, шт.	80

Артикул	Код
CP861	402811100

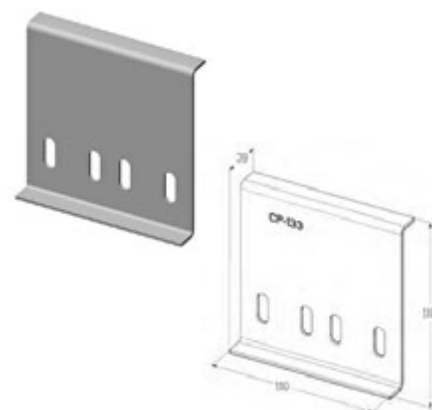


Пластина соединительная передняя

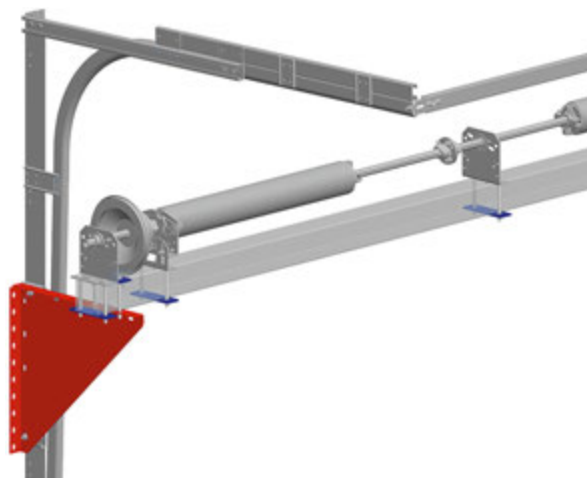
Предназначена для соединения горизонтальной направляющей с элементом радиусным и узлом направляющим передним. Используется в промышленных воротах всех типов монтажа (кроме низких).

Материал	оцинкованная сталь
Вес, кг/шт.	0,215
Единица измерения	шт.
Норма поставки, шт.	100

Артикул	Код
CP-133	402811900



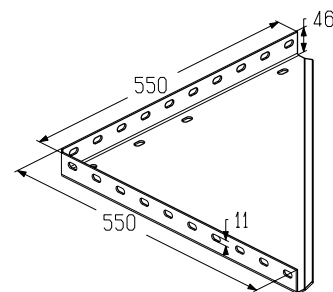
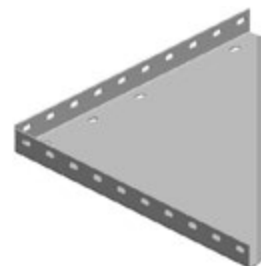
УСТАНОВКА КРОНШТЕЙНА И ПЛАСТИНЫ



Кронштейн

Предназначен для установки профиля несущего. Используется в промышленных воротах высокого, вертикального, наклонного высокого типов монтажа с нижним расположением вала.

Материал оцинкованная сталь
 Вес, кг/шт. 4,818
 Единица измерения шт.
 Норма поставки, шт. 4

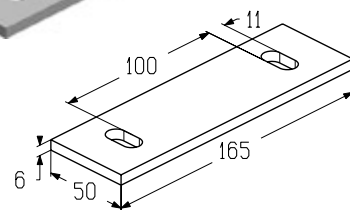


Артикул	Код
TP-550	402620000

Пластина

Предназначена для фиксации элементов торсионного вала. Используется в промышленных воротах высокого, вертикального, наклонного высокого типов монтажа с нижним расположением вала.

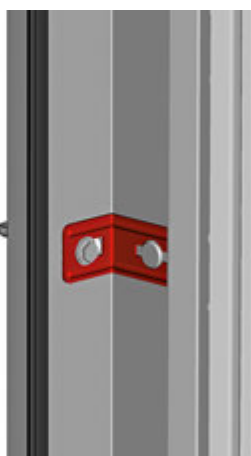
Материал оцинкованная сталь
 Вес, кг/шт. 0,355
 Единица измерения шт.
 Норма поставки, шт. 50



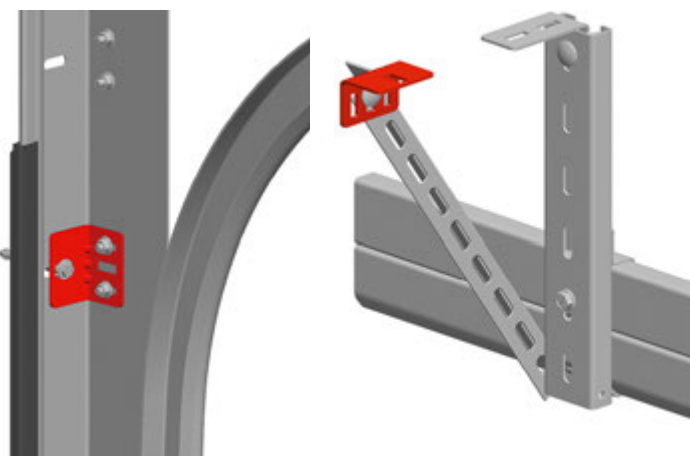
Артикул	Код
MS-550	402811300

УСТАНОВКА КРОНШТЕЙНОВ

Кронштейн угловой



Кронштейн

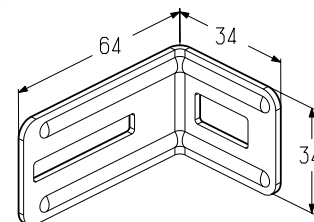


1.4

Кронштейн угловой

Предназначен для крепления профиля углового (PRG-30) к стене. Используется в гаражных воротах с пружинами растяжения и торсионными пружинами всех типов монтажа.

Материал оцинкованная сталь
 Вес, кг/шт. 0,048
 Единица измерения шт.
 Норма поставки, шт. 500



Артикул	Код
B-3500	402630900

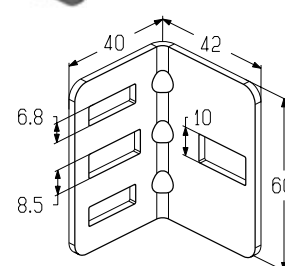
Кронштейн

Предназначен:

- для крепления профиля углового к стене;
- для крепления профиля монтажного (PRG09) и С-профиля (PRG06) к потолку.

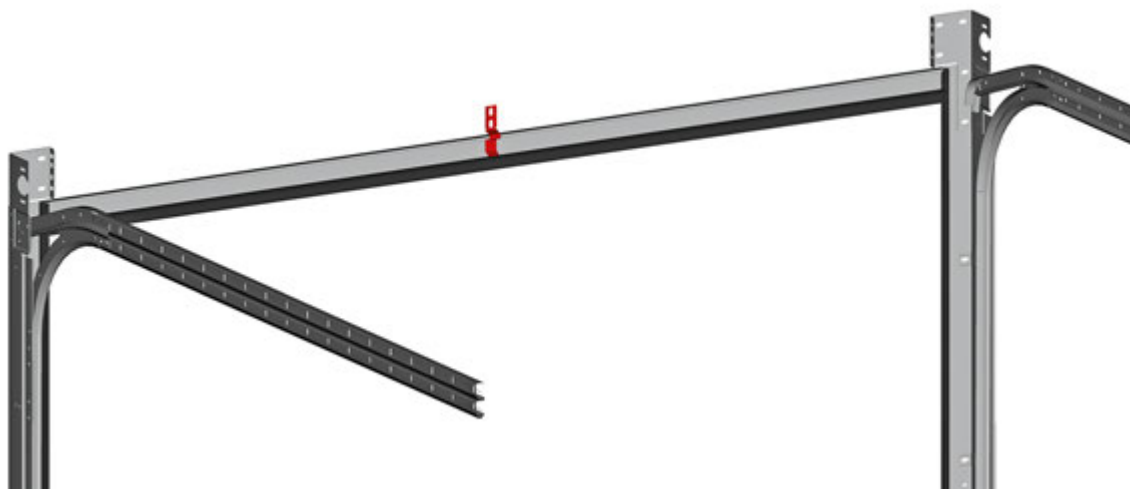
Используется в промышленных воротах всех типов монтажа.

Материал оцинкованная сталь
 Вес, кг/шт. 0,076
 Единица измерения шт.
 Норма поставки, шт. 280



Артикул	Код
B0300	402600400

УСТАНОВКА КРОНШТЕЙНА ПРОФИЛЯ ПЕРЕДНЕГО

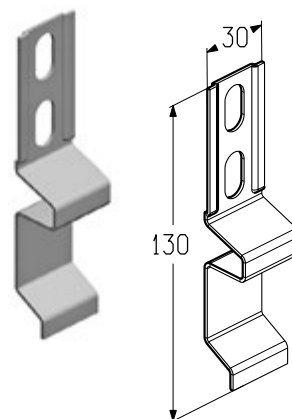


Кронштейн профиля переднего

Предназначен для крепления профиля переднего (**PRG-35**) к стене. Используется в гаражных воротах с пружинами растяжения и торсионными пружинами стандартного и низкого типов монтажа.

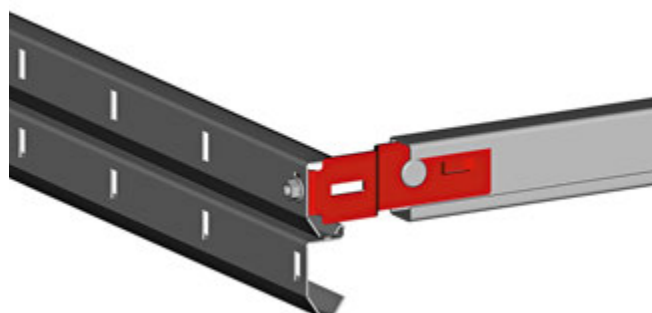
Материал оцинкованная сталь
 Вес, кг/шт. 0,036
 Единица измерения шт.
 Норма поставки, шт. 320

Артикул	Код
B-3509	402600900

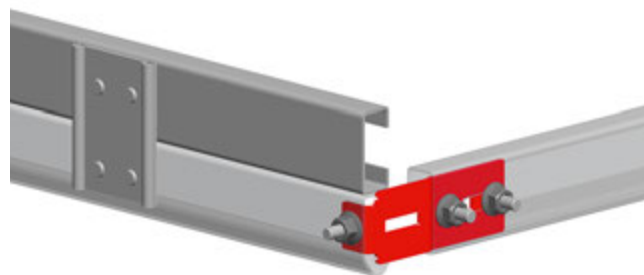


УСТАНОВКА КРОНШТЕЙНА МЕРНОЙ ПЛАНКИ

Кронштейн мерной планки (B-3501)



Кронштейн мерной планки (B802)



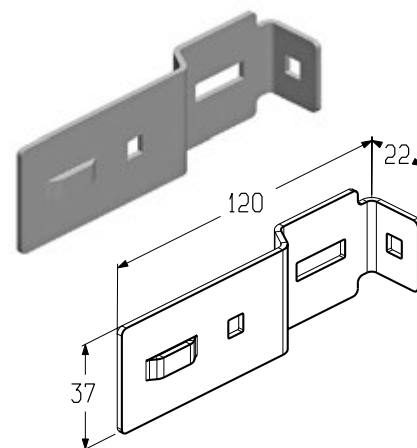
1.4

Кронштейн мерной планки

Предназначен для соединения профиля направляющего (PRG-32) с С-профилем (PRG-33).
Используется в гаражных воротах с пружинами растяжения и торсионными пружинами всех типов монтажа.

Материал	оцинкованная сталь
Вес, кг/шт.	0,073
Единица измерения	шт.
Норма поставки, шт.	200

Артикул	Код
B-3501	402600700

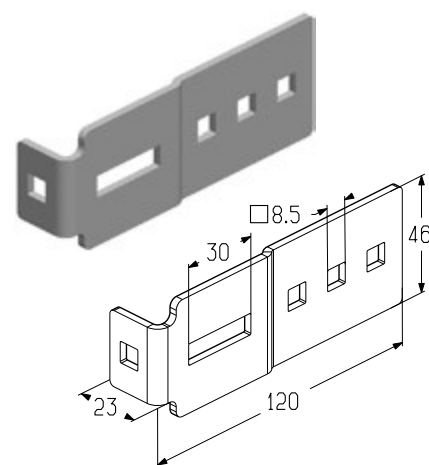


Кронштейн мерной планки

Предназначен для соединения профиля направляющего (горизонтального) с С-профилем (PRG07, PRG07N). Используется в промышленных воротах всех типов монтажа.

Материал	оцинкованная сталь
Вес, кг/шт.	0,102
Единица измерения	шт.
Норма поставки, шт.	220

Артикул	Код
B802	402620100



УСТАНОВКА ПЛАСТИНЫ ОГРАНИЧИТЕЛЬНОЙ

Пластина ограничительная
(LP-3514)



Пластина ограничительная
(LP-3515)

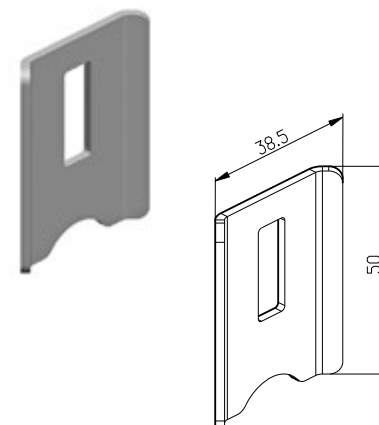


Пластина ограничительная

Предназначена для установки совместно с профилем угловым (**PRG-30**) и засовом (**SB0100**).
Используется в гаражных воротах с пружинами растяжения и торсионными пружинами всех типов монтажа.

Материал оцинкованная сталь
Вес, кг/шт. 0,038
Единица измерения шт.
Норма поставки, шт. 200

Артикул	Код
LP-3514	401950100

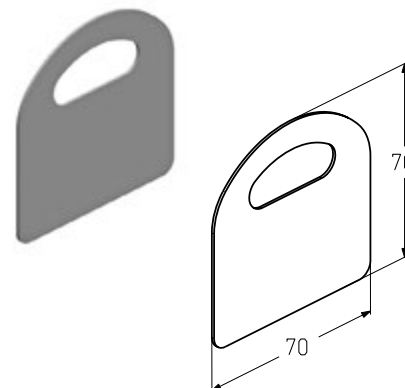


Пластина ограничительная

Предназначена для установки совместно с профилем угловым (**PRG-30**). Используется в гаражных воротах с пружинами растяжения и торсионными пружинами всех типов монтажа.

Материал ABS
Вес, кг/шт. 0,004
Единица измерения шт.
Норма поставки, шт. 2000

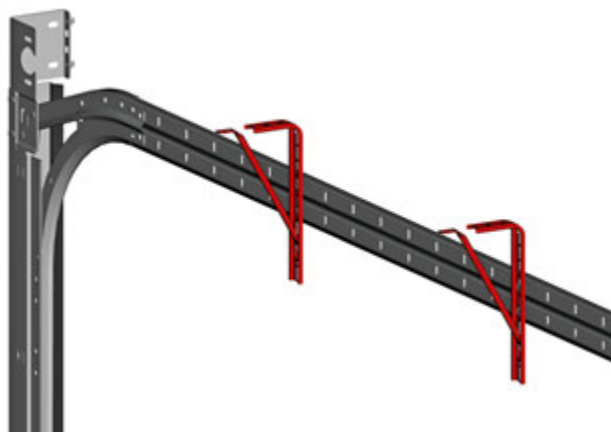
Артикул	Код
LP-3515	401950200



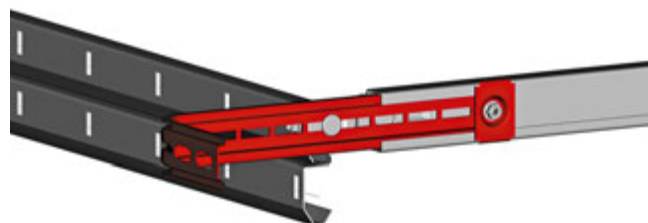
УСТАНОВКА ПОДВЕСА И ФИКСАТОРА РАСКОСА

ГАРАЖНЫЕ ВОРОТА

Крепление профиля направляющего
(горизонтального)



Крепление С-профиля
(мерной планки)



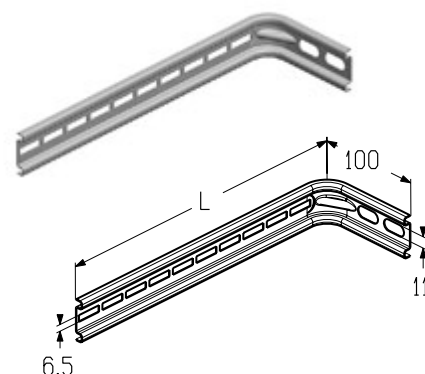
1.4

Подвес

Предназначен для изготовления системы подвеса горизонтальных направляющих. Используется в гаражных воротах с пружинами растяжения и торсионными пружинами всех типов монтажа.

Материал оцинкованная сталь
Единица измерения шт.

Артикул	Код	Длина (L), мм	Вес, кг/шт.	Норма поставки, шт.
ТВ-191Т-300	402610900	300	0,20	100
ТВ-191Т-500	402611000	500	0,30	60
ТВ-191Т-800	402611100	800	0,46	40
ТВ-191Т-1000	402611200	1000	0,56	40

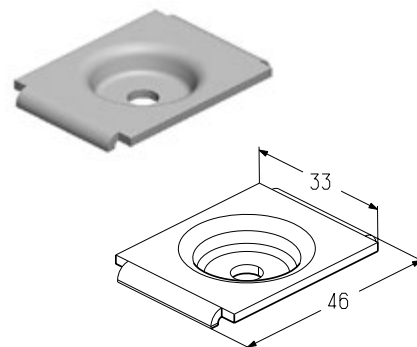


Фиксатор раскоса

Предназначен для крепления подвеса (ТВ-191Т) к кронштейну мерной планки (В-3501). Используется в гаражных воротах с пружинами растяжения и торсионными пружинами всех типов монтажа.

Материал оцинкованная сталь
Вес, кг/шт. 0,02
Единица измерения шт.
Норма поставки, шт. 600

Артикул	Код
ТВ-194Т	402611900



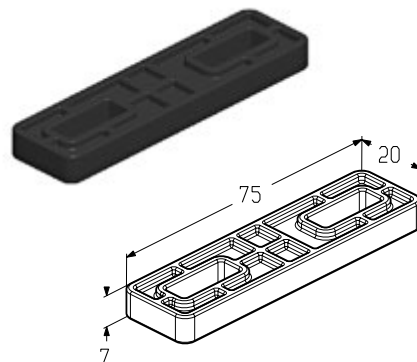
УСТАНОВКА ФИКСАТОРА ПОДВЕСА



Фиксатор подвеса

Предназначен для крепления подвеса (ТВ-191Т) к профилю направляющему (PRG-32). Используется в гаражных воротах с пружинами растяжения и торсионными пружинами всех типов монтажа.

Материал полиамид
 Вес, кг/шт. 0,007
 Единица измерения шт.
 Норма поставки, шт. 1250

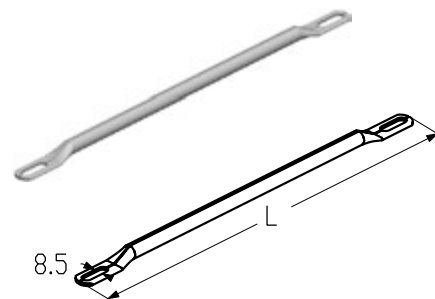


Артикул	Код
ТВ-192Т	402611300

Раскос

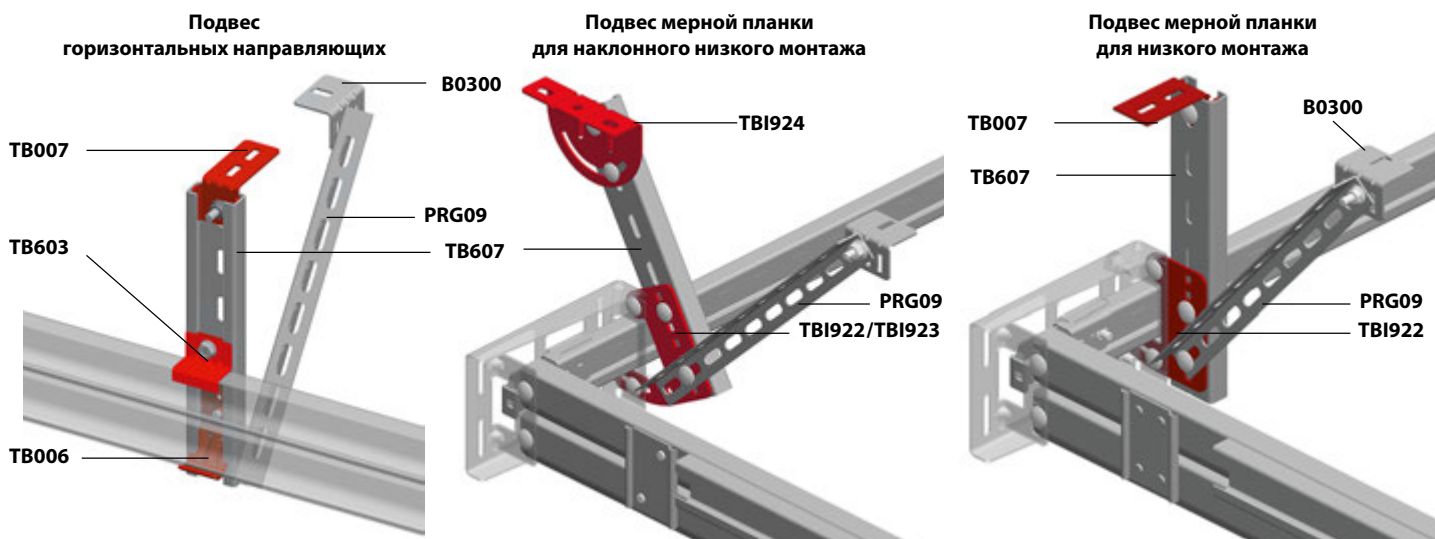
Предназначен для изготовления системы подвеса. Используется в гаражных воротах с пружинами растяжения и торсионными пружинами всех типов монтажа.

Материал оцинкованная сталь
 Единица измерения шт.
 Норма поставки, шт. 400



Артикул	Код	Длина (L), мм	Вес, кг/шт.
ТВ1935-330	402910600	330	0,08
ТВ1935-680	402910700	680	0,19
ТВ1935-910	402910800	910	0,26

УСТАНОВКА ТЕЛЕСКОПИЧЕСКОГО ПОДВЕСА

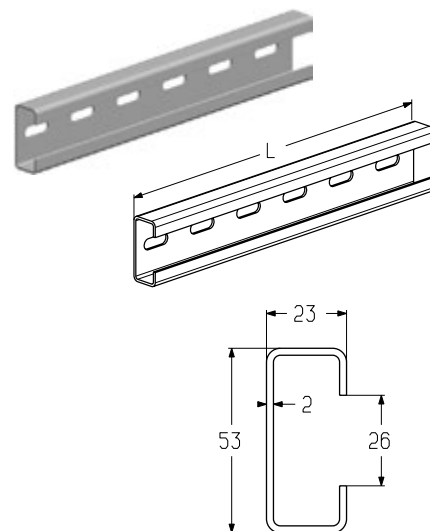


Кронштейн подвеса

Предназначен для изготовления системы телескопического подвеса. Используется в промышленных воротах всех типов монтажа.

Материал оцинкованная сталь
 Единица измерения шт.
 Норма поставки, шт. 100

Артикул	Код	Длина (L), мм	Вес, кг/шт.
TB607-300	402610000	300	0,48
TB607-500	402610100	500	0,80
TB607-800	402610200	800	1,28
TB607-1000	402610300	1000	1,60
TB607-1500	402610400	1500	2,40

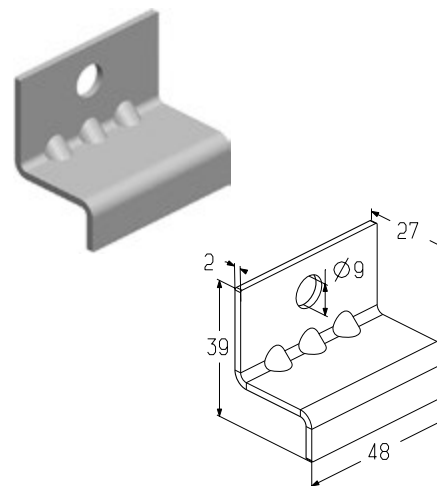


Кронштейн монтажный

Предназначен для подвеса горизонтальных направляющих. Устанавливается совместно с кронштейном (TB006). Используется в промышленных воротах низкого и наклонного низкого типов монтажа.

Материал оцинкованная сталь
 Вес, кг/шт. 0,038
 Единица измерения шт.
 Норма поставки, шт. 500

Артикул	Код
TB603	402620200

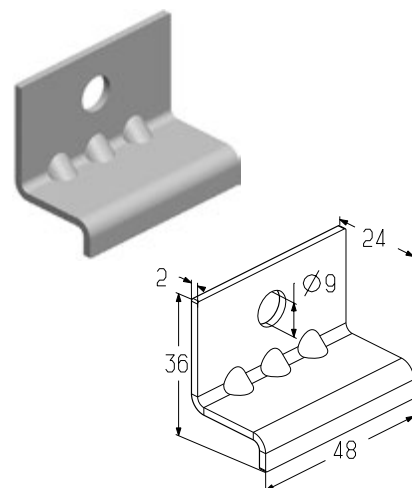


Кронштейн монтажный

Предназначен для подвеса горизонтальных направляющих. Устанавливается совместно с кронштейном (ТВ006) в промышленных воротах всех типов монтажа, кроме низкого и наклонного низкого.

Материал оцинкованная сталь
 Вес, кг/шт. 0,038
 Единица измерения шт.
 Норма поставки, шт. 500

Артикул	Код
ТВ604	402620300

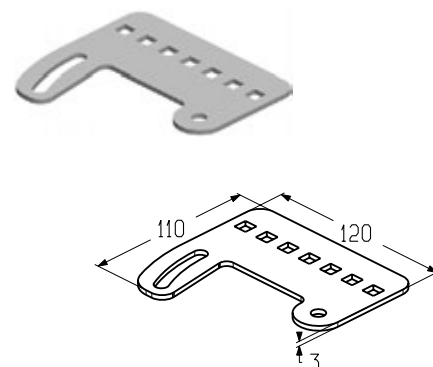


Пластина

Предназначена для подвеса мерной планки. Устанавливается совместно с кронштейном (ТВ607). Используется в промышленных воротах низкого монтажа и наклонного низкого типа монтажа с наклоном горизонтальных направляющих до 20°.

Материал оцинкованная сталь
 Вес, кг/шт. 0,18
 Единица измерения шт.
 Норма поставки, шт. 140

Артикул	Код
ТВ1922	403490300

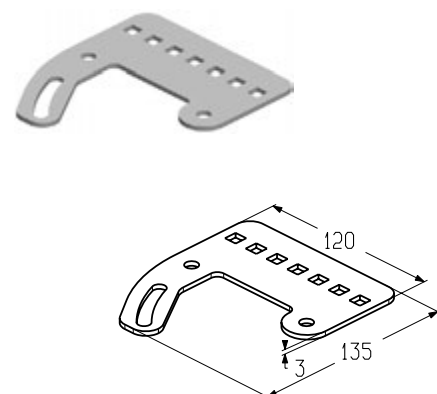


Пластина

Предназначена для подвеса мерной планки. Устанавливается совместно с кронштейном (ТВ607). Используется в промышленных воротах наклонного низкого типа монтажа с наклоном горизонтальных направляющих 25—45°.

Материал оцинкованная сталь
 Вес, кг/шт. 0,20
 Единица измерения шт.
 Норма поставки, шт. 45

Артикул	Код
ТВ1923	403490400



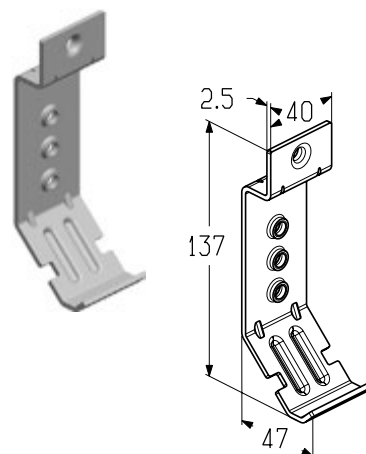
СИСТЕМА ПОДВЕСА ГОРИЗОНТАЛЬНЫХ НАПРАВЛЯЮЩИХ

Кронштейн

Предназначен для подвеса горизонтальных направляющих. Устанавливается совместно с кронштейном монтажным (ТВ603) в промышленных воротах низкого и наклонного низкого типов монтажа. Устанавливается совместно с кронштейном монтажным (ТВ604) в промышленных воротах всех типов монтажа, кроме низкого и наклонного низкого.

Материал оцинкованная сталь
 Вес, кг/шт. 0,112
 Единица измерения шт.
 Норма поставки, шт. 300

Артикул	Код
ТВ006	402610500



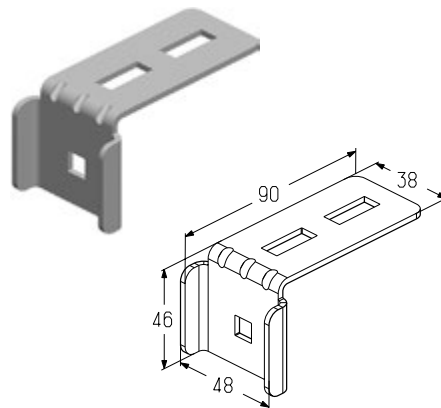
1.4

Кронштейн угловой

Предназначен для крепления кронштейна подвеса (ТВ607) к потолку. Используется для подвеса горизонтальных направляющих в промышленных воротах всех типов монтажа.

Материал оцинкованная сталь
 Вес, кг/шт. 0,115
 Единица измерения шт.
 Норма поставки, шт. 200

Артикул	Код
ТВ007	402630000

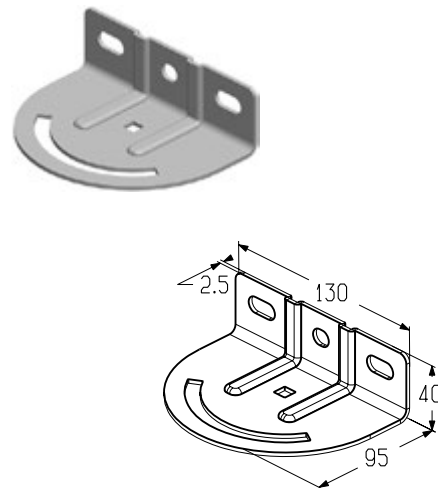


Кронштейн

Предназначен для крепления кронштейна подвеса (ТВ607) к потолку. Используется для подвеса мерной планки промышленных ворот наклонного низкого типа монтажа.

Материал оцинкованная сталь
 Вес, кг/шт. 0,28
 Единица измерения шт.
 Норма поставки, шт. 45

Артикул	Код
ТВ1924	403490500

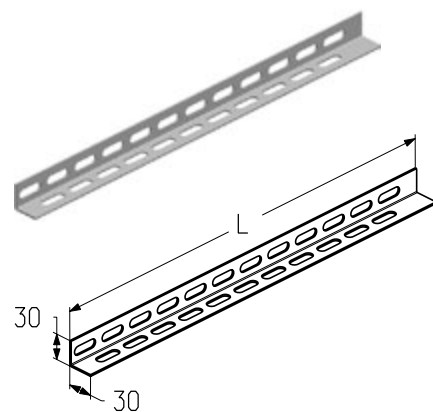


Профиль монтажный

Предназначен для усиления телескопического подвеса. Устанавливается совместно с кронштейном подвеса (**ТВ607-300, ТВ607-500, ТВ607-800**). Используется в промышленных воротах всех типов монтажа.

Материал оцинкованная сталь
Вес, кг/м 0,614
Единица измерения м

Артикул	Код	Длина (L), мм	Норма поставки	
			м	шт.
PRG09	402410400	1160	92,8	80
		1480	118,4	
		1800	144,0	
		3000	240,0	

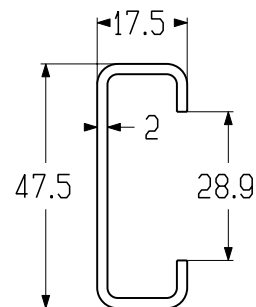
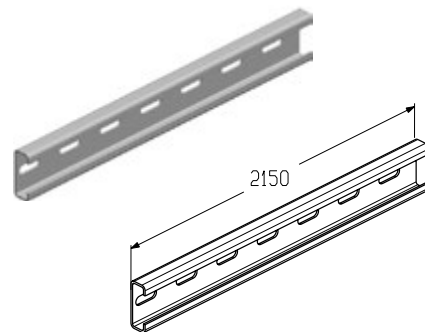


C-профиль

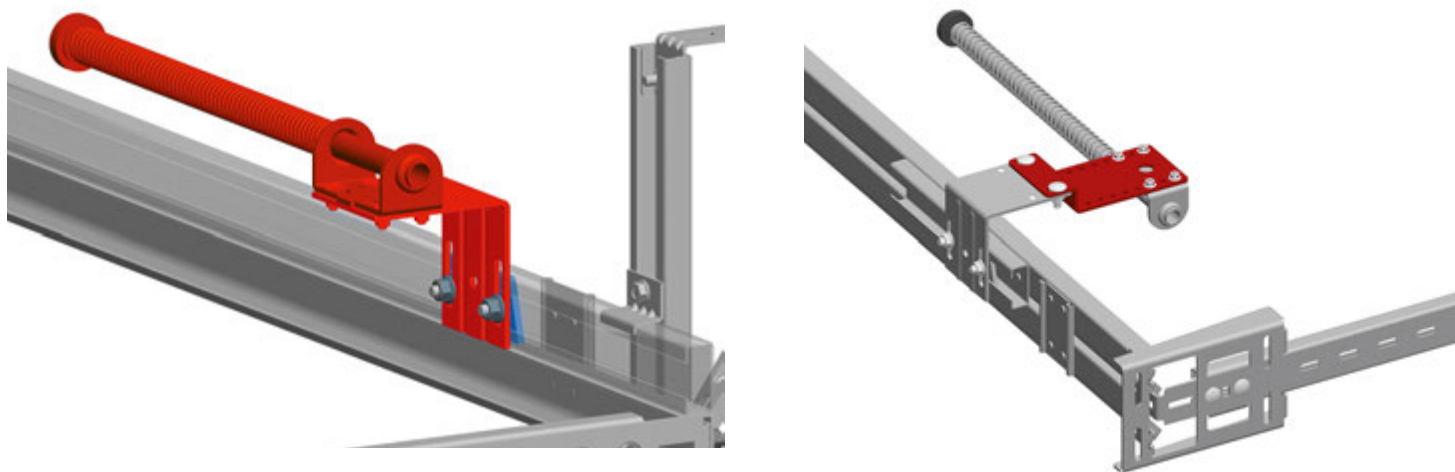
Перфорированный, предназначен для усиления телескопического подвеса. Устанавливается совместно с кронштейном подвеса (**ТВ607-1000, ТВ607-1500**). Используется в промышленных воротах всех типов монтажа.

Длина, мм 2150
Материал оцинкованная сталь
Вес, кг/м 1,38
Единица измерения м
Норма поставки, м 107,5

Артикул	Код
PRG06	402421700



УСТАНОВКА ДЕМПФЕРА



1.4

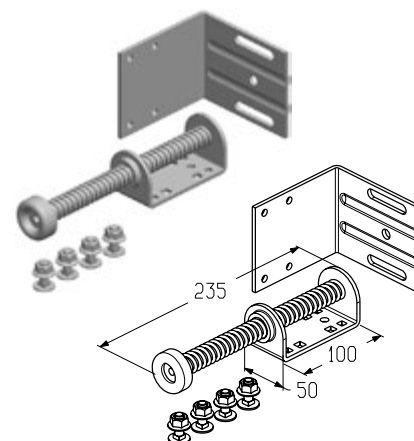
Демпфер

Предназначен для ограничения перемещения полотна гаражных и промышленных ворот.

Используется в воротах:

- без электропривода (цепного редуктора) стандартного типа монтажа;
- с навальным электроприводом (цепным редуктором) наклонного низкого типа монтажа;
- высокого, вертикального, наклонного высокого типов монтажа с верхним и нижним расположением вала; наклонного типа монтажа (для всех типов управления ворот);
- без электропривода или цепного редуктора низкого и наклонного низкого типов монтажа;
- в гаражных воротах высокого типа монтажа.

Длина, мм	235
Материал	оцинкованная сталь
Вес, кг/шт.	1,15
Единица измерения	шт.
Норма поставки, шт.	60

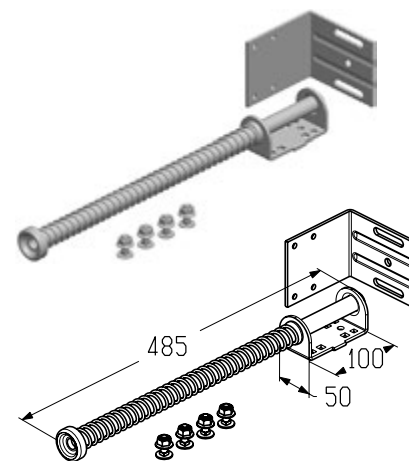


Артикул	Код
SB-235	402910000

Демпфер

Предназначен для ограничения перемещения полотна промышленных ворот. Используется в промышленных воротах с навальным электроприводом и цепным редуктором стандартного и низкого типов монтажа.

Длина, мм	485
Материал	оцинкованная сталь
Вес, кг/шт.	1,5
Единица измерения	шт.
Норма поставки, шт.	30



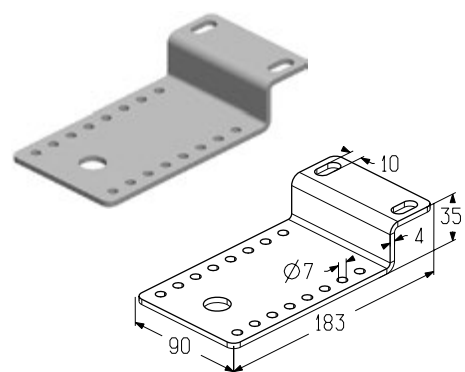
Артикул	Код
SB-485	402910100

Кронштейн для демпфера

Предназначен для установки демпфера (**SB-235, SB-485**). Используется в промышленных воротах низкого и наклонного низкого типов монтажа.

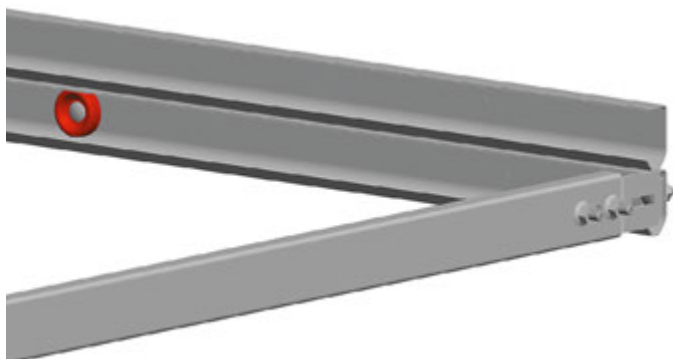
Материал оцинкованная сталь
 Вес, кг/шт. 0,554
 Единица измерения шт.
 Норма поставки, шт. 40

Артикул	Код
BSB0302	402600500

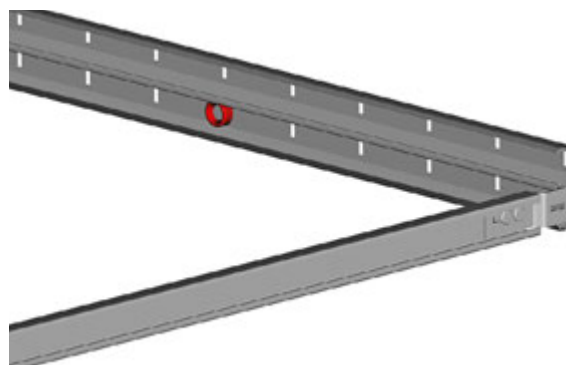


УСТАНОВКА ОГРАНИЧИТЕЛЯ И ДЕМПФЕРА

Ограничитель



Демпфер

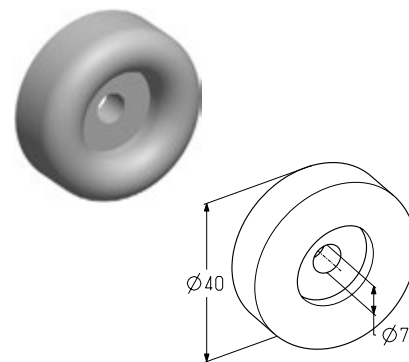


1.4

Ограничитель

Предназначен для ограничения перемещения полотна промышленных ворот. Используется в промышленных воротах низкого и наклонного низкого типов монтажа с ручным управлением или с реечным электроприводом.

Материал TPE
 Вес, кг/шт. 0,03
 Единица измерения шт.
 Норма поставки, шт. 200

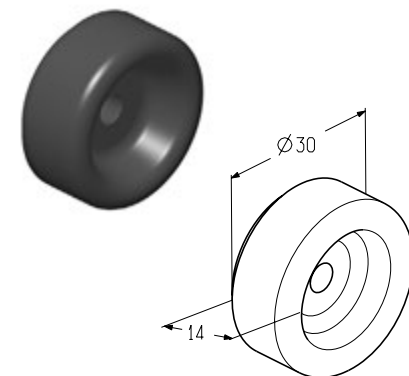


Артикул	Код
RS0301	402910200

Демпфер

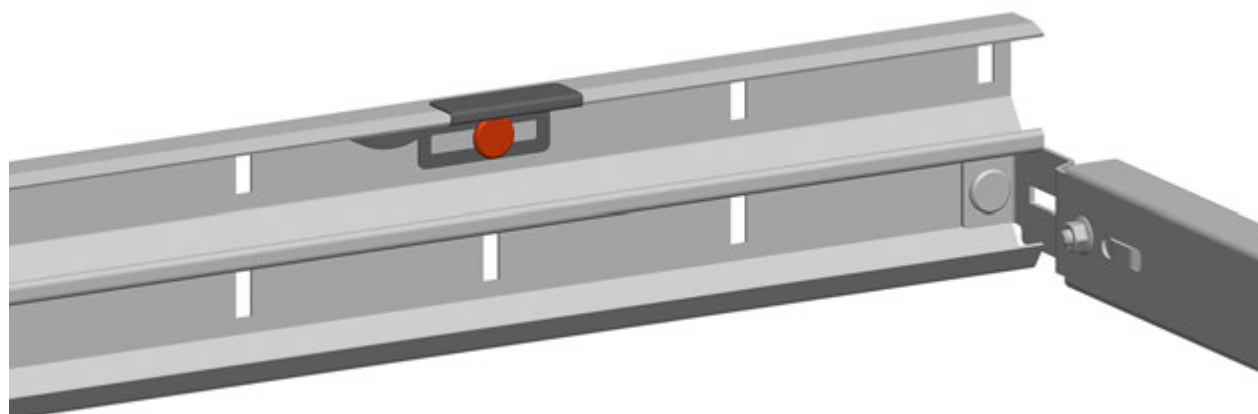
Предназначен для ограничения перемещения полотна гаражных ворот с пружинами растяжения или торсионными пружинами всех типов монтажа с автоматическим управлением.

Материал EPDM
 Вес, кг/шт. 0,012
 Единица измерения шт.
 Норма поставки, шт. 1800



Артикул	Код
RS-3516	402911600

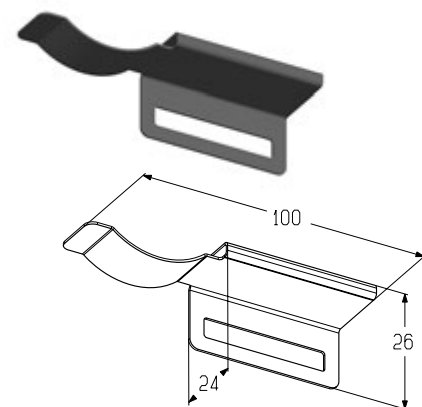
УСТАНОВКА ФИКСАТОРА



Фиксатор

Предназначен для ограничения перемещения полотна гаражных ворот. Используется в гаражных воротах с пружинами растяжения и торсионными пружинами всех типов монтажа с ручным управлением.

Материал пружинная сталь
 Вес, кг/шт. 0,05
 Единица измерения шт.
 Норма поставки, шт. 800



Артикул	Код
LHT-3005	418700055

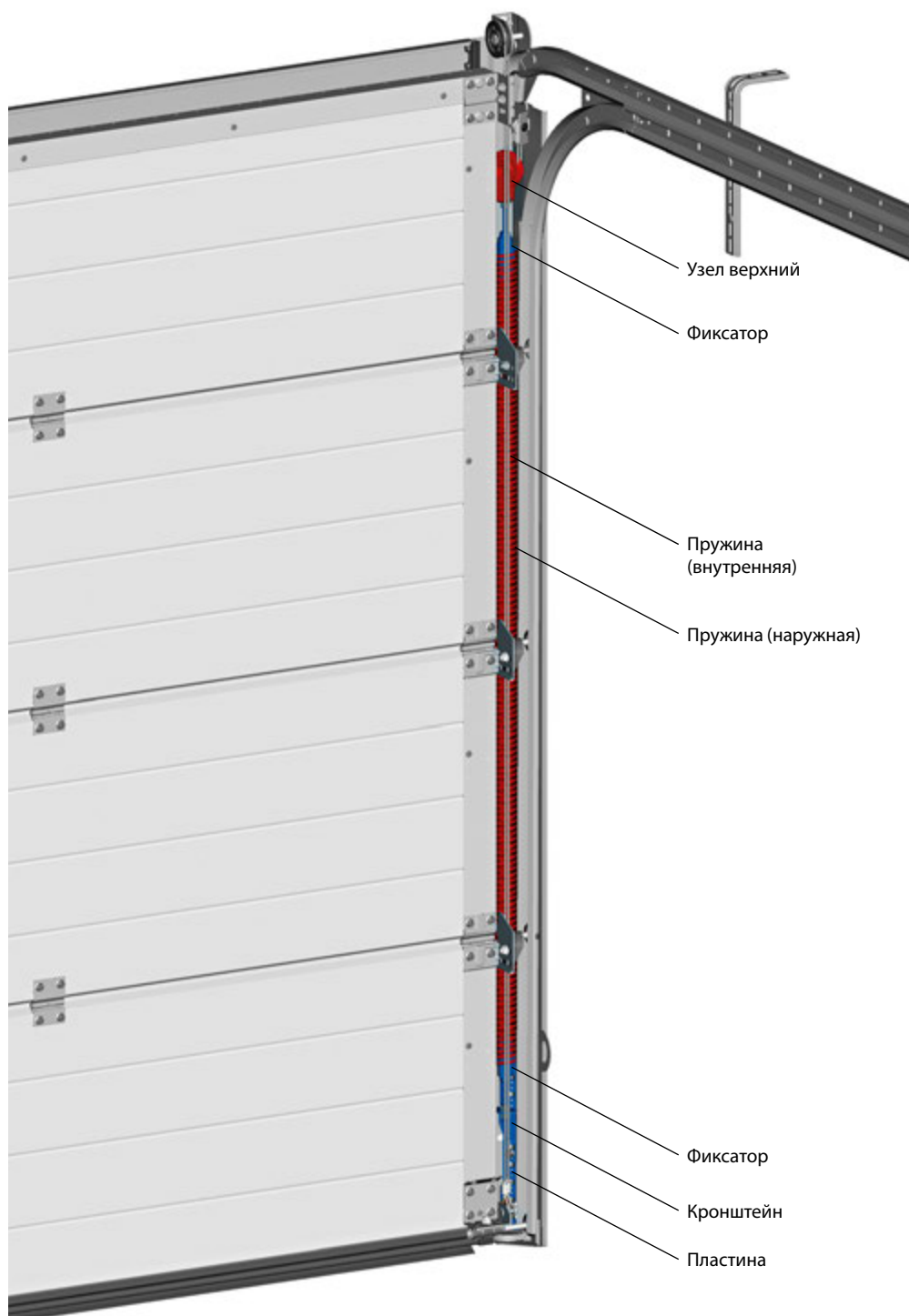


**ГАРАЖНЫЕ ВОРОТА TREND
ПРОМЫШЛЕННЫЕ ВОРОТА PROTREND**

СИСТЕМА БАЛАНСИРОВКИ

ТИПОВАЯ КОНСТРУКЦИЯ СИСТЕМЫ БАЛАНСИРОВКИ

ГАРАЖНЫЕ ВОРОТА С ПРУЖИНАМИ РАСТЯЖЕНИЯ



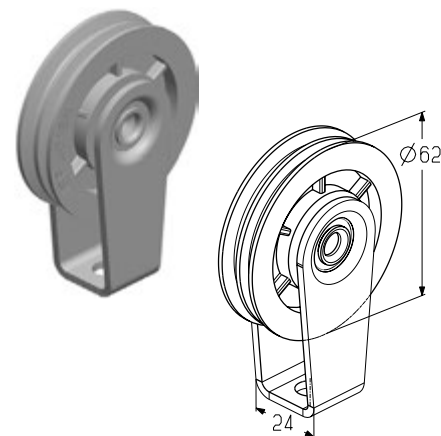
Узел верхний

Предназначен для:

- установки троса;
- крепления фиксатора (**SH220S**).

Используется в гаражных воротах с пружинами растяжения.

Материал оцинкованная сталь
 Вес, кг/шт. 0,135
 Единица измерения шт.
 Норма поставки, шт. 100



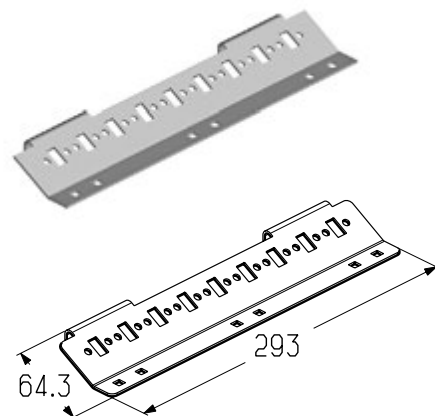
Артикул	Код
US230S	402300400

Пластина

Предназначена для регулировки натяжения пружин совместно с кронштейном (**SB212S**).

Используется в гаражных воротах с пружинами растяжения.

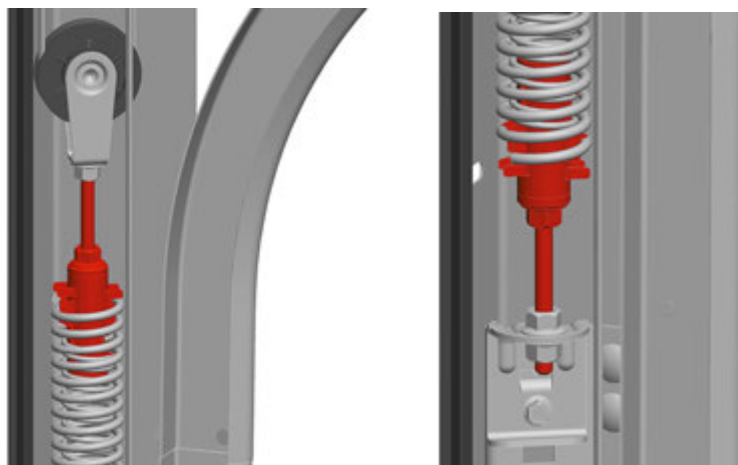
Материал оцинкованная сталь
 Вес, кг/шт. 0,293
 Единица измерения шт.
 Норма поставки, шт. 50



Артикул	Код
SP-230T	402812600

УСТАНОВКА ФИКСАТОРА И КРОНШТЕЙНА

Фиксатор SH220S



Кронштейн SB212S



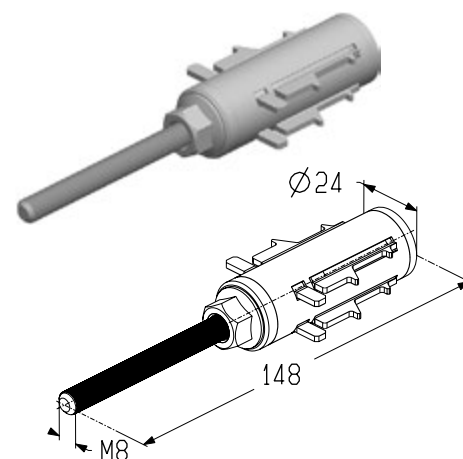
1.5

Фиксатор

Предназначен для крепления пружин. Используется в гаражных воротах с пружинами растяжения.

Материал	оцинкованная сталь
Вес, кг/шт.	0,207
Единица измерения	шт.
Норма поставки, шт.	60

Артикул	Код
SH221S	402911100

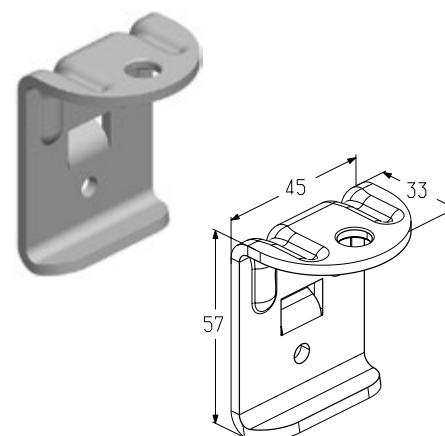


Кронштейн

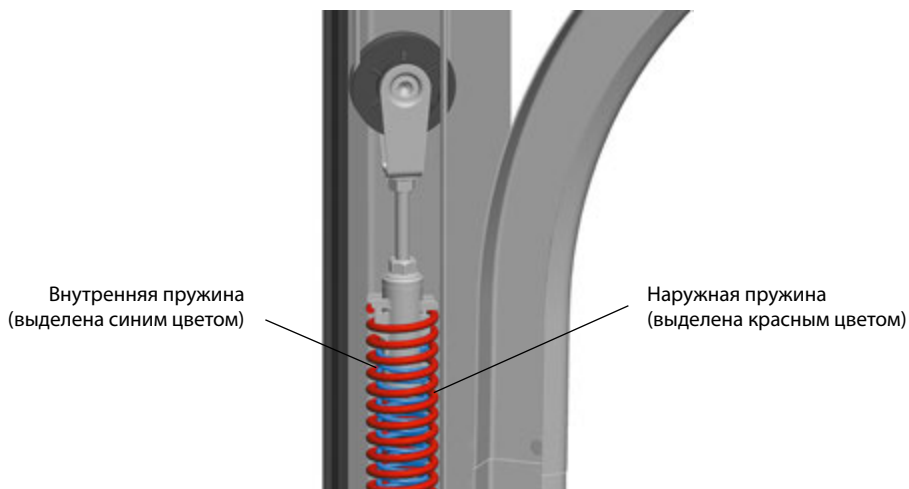
Предназначен для регулировки натяжения пружин совместно с пластиной (SP-230T).
Используется в гаражных воротах с пружинами растяжения.

Материал	оцинкованная сталь
Вес, кг/шт.	0,930
Единица измерения	шт.
Норма поставки, шт.	200

Артикул	Код
SB212S	402600600



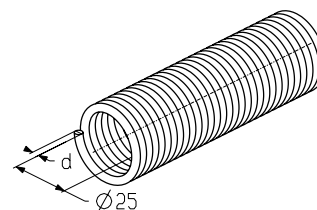
УСТАНОВКА ВНУТРЕННЕЙ И НАРУЖНОЙ ПРУЖИН



Пружина (внутренняя)

Предназначена для балансировки полотна гаражных ворот с пружинами растяжения.

Внутренний диаметр, мм 25
 Длина, мм 1500
 Материал оцинкованная сталь
 Единица измерения м

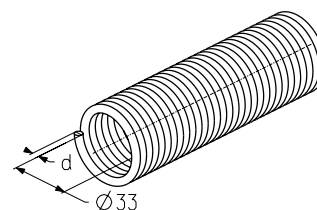


Артикул	Код	Диаметр (d), мм	Вес, кг/м	Цвет торца пружины*	Норма поставки	
					м	шт.
TN26×25VT×2000R	403322100	2,6	1,38	RAL 4006	20,00	10
TN28×25BR×1150R	403321200	2,8	1,50	RAL 8003	11,50	
TN30×25WH×1500R	403322500	3,0	1,62	RAL 9003	15,00	
TN32×25YL×1120R	403322000	3,2	1,70	RAL 1026	11,20	
TN32×25YL×1250R	403322600	3,2	1,74	RAL 1026	12,50	
TN34×25RD×1400R	403321600	3,4	2,58	RAL 3000	14,00	

Пружина (наружная)

Предназначена для балансировки полотна гаражных ворот с пружинами растяжения.

Внутренний диаметр, мм 33
 Длина, мм 1500
 Материал оцинкованная сталь
 Единица измерения м



Артикул	Код	Диаметр (d), мм	Вес, кг/м	Цвет торца пружины*	Норма поставки	
					м	шт.
TN26×33RD×2000R	403332400	2,6	1,78	RAL 3000	20,00	10
TN28×33BR×2000R	403332500	2,8	1,93	RAL 8003	20,00	
TN30×33WH×2000R	403332600	3,0	2,08	RAL 9003	20,00	
TN32×33GR×1050R	403331700	3,2	2,22	RAL 7000	10,50	
TN34×33BL×1100R	403332900	3,4	2,64	RAL 5005	11,00	
TN36×33OR×1100R	403332200	3,6	2,54	RAL 2000	11,00	
TN36×33OR×850R	403331400	3,6	2,50	RAL 2000	8,50	
TN38×33PN×1000R	403331000	3,8	2,71	RAL 3014	10,00	
TN40×33GN×1250R	403333200	4,0	2,80	RAL 6018	12,50	
TN42×33BK×1350R	403333100	4,2	3,61	RAL 9005	13,50	
TN45×33VT×1510R	403332300	4,5	3,23	RAL 4006	15,10	

* Указанные цвета имеют близкое соответствие шкале RAL.

УСТАНОВКА КОЖУХА

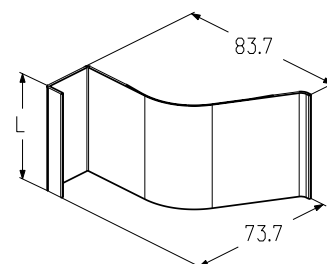


1.5

Кожух

Предназначен для защиты от защемления пальцев. Устанавливается совместно с пружинным механизмом. Используется в гаражных воротах с пружинами растяжения.

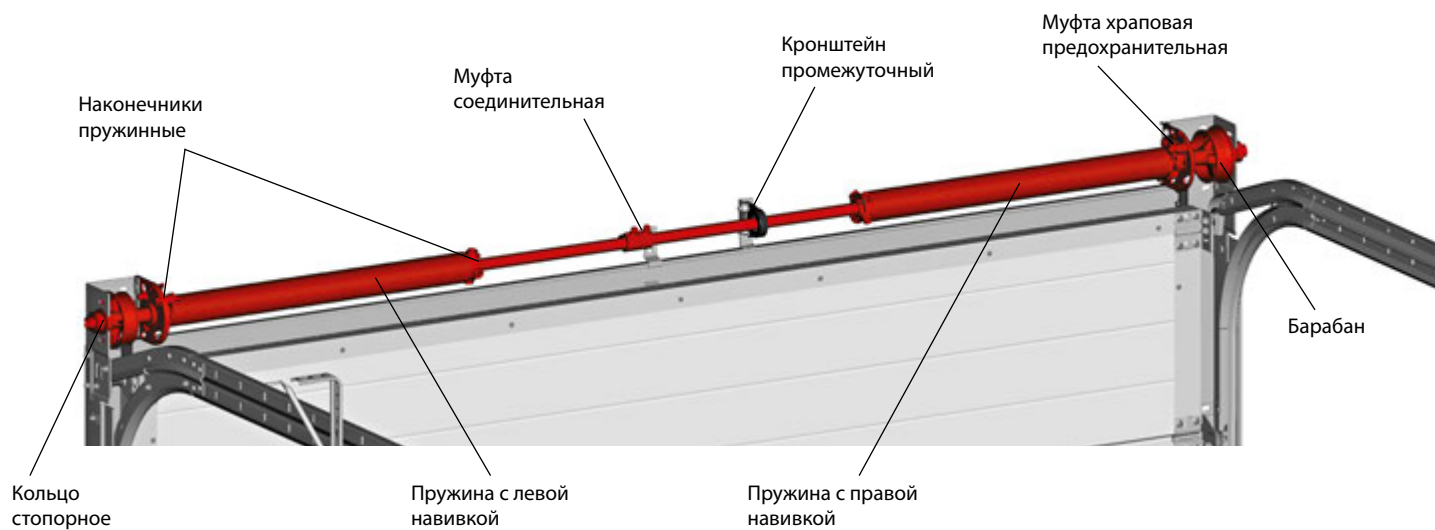
Материал	RPVC
Длина, м	2,5
Вес, кг/м	0,29
Единица измерения	м
Норма поставки, м	25



Артикул	Код
РС-4506	402911400

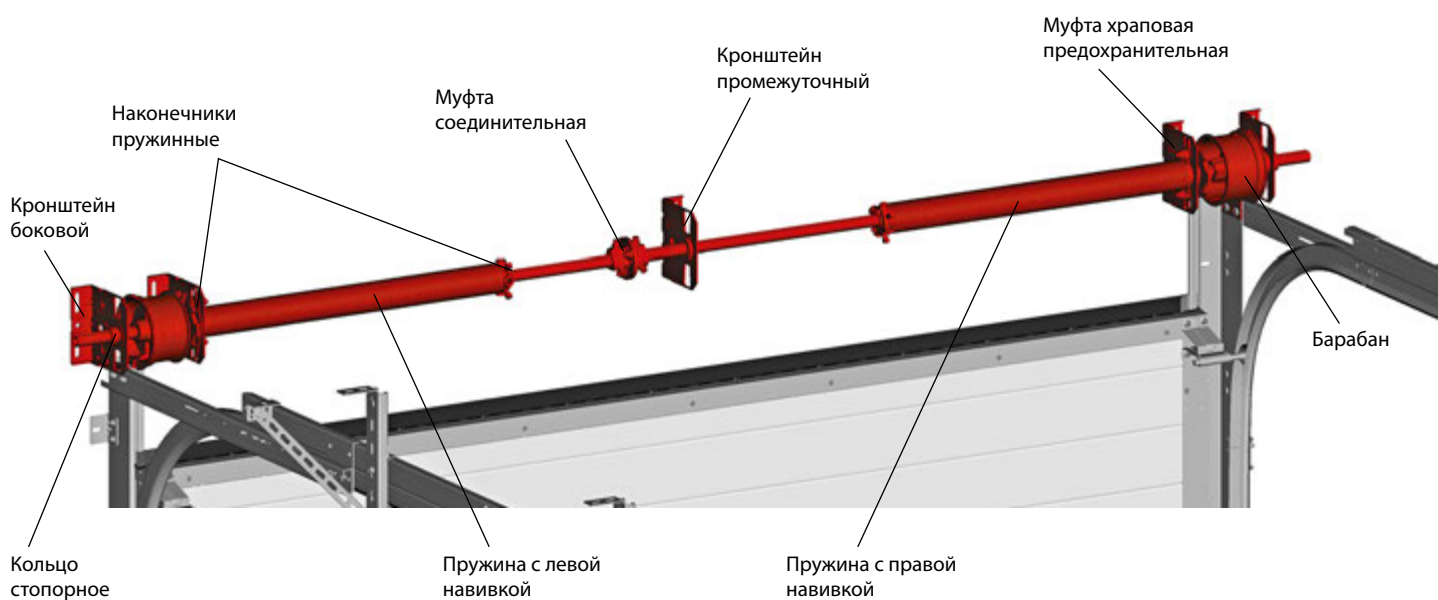
ТИПОВАЯ КОНСТРУКЦИЯ СИСТЕМЫ БАЛАНСИРОВКИ

ГАРАЖНЫЕ ВОРОТА С ТОРСИОННЫМИ ПРУЖИНАМИ



ТИПОВАЯ КОНСТРУКЦИЯ СИСТЕМЫ БАЛАНСИРОВКИ

ПРОМЫШЛЕННЫЕ ВОРОТА С ТОРСИОННЫМИ ПРУЖИНАМИ



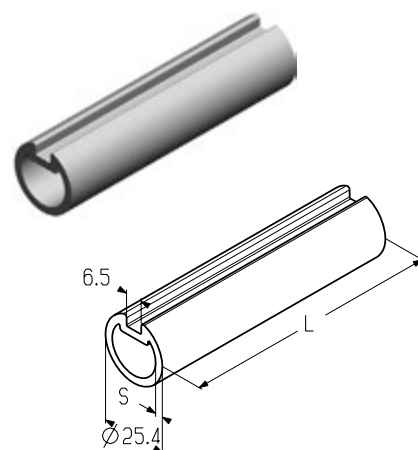
ВАЛЫ И МУФТЫ СОЕДИНИТЕЛЬНЫЕ

Вал

Применяется при массе полотна ворот менее 160 кг. Используется для гаражных и промышленных ворот всех типов монтажа с торсионными пружинами.

Диаметр вала, мм 25,4
 Материал оцинкованная сталь
 Толщина стенки (S), мм 2 мм
 Единица измерения м

Код	Длина (L), мм	Вес, кг/м	Норма поставки		Розничная цена, евро с НДС
			м	шт.	
403220600	2750	1,75	137,5	50	16,50
403220900	3000	1,20	150,0		
403221000	4500	1,20	225,0		
403221100	5500	1,20	275,0		
403220700	6000	1,20	300,0		



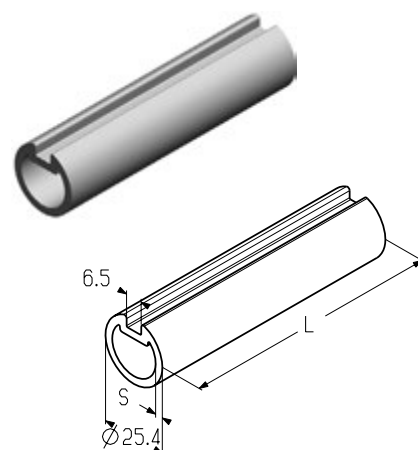
1.5

Вал

Применяется при массе полотна ворот от 160 до 230 кг. Используется для гаражных и промышленных ворот всех типов монтажа с торсионными пружинами

Диаметр вала, мм 25,4
 Материал оцинкованная сталь
 Толщина стенки (S), мм 3 мм
 Единица измерения м

Артикул	Код	Длина (L), мм	Вес, кг/м	Норма поставки	
				м	шт.
TSH-4500	403220100	4500	1,75	225	50
TSH-5500	403220200	5500	2,13	275	

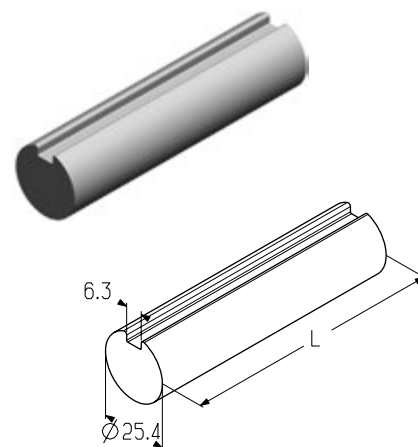


Вал

Применяется при массе полотна от 200 до 350 кг. Используется для гаражных и промышленных ворот всех типов монтажа с торсионными пружинами.

Диаметр вала, мм 25,4
 Материал оцинкованная сталь
 Вес, кг/м 3,80
 Единица измерения м

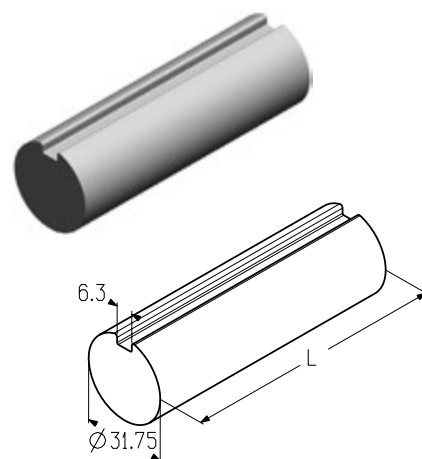
Артикул	Код	Длина (L), мм	Норма поставки	
			м	шт.
TSS-4500	403220500	4500	112,5	25
TSS-5000	403220300	5000	125,0	



Вал

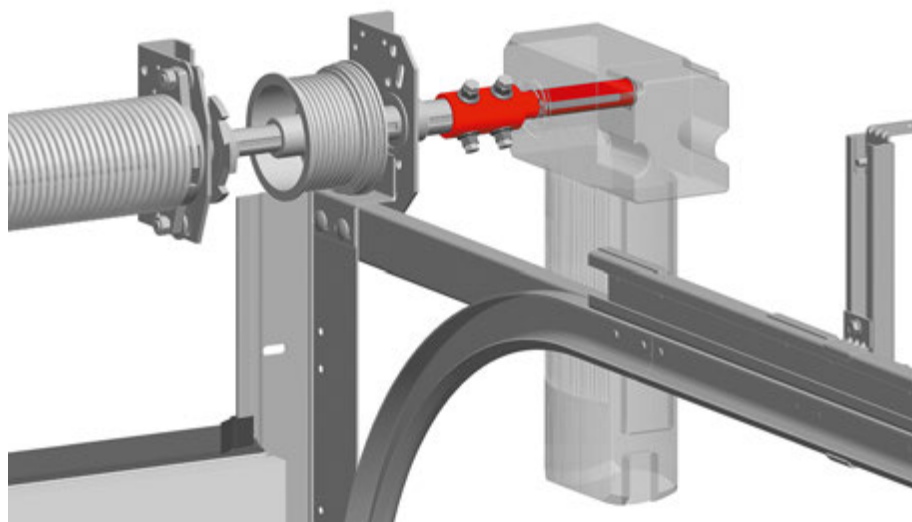
Применяется при массе полотна свыше 350 кг. Используется для промышленных ворот всех типов монтажа.

Диаметр вала, мм 31,75
 Материал оцинкованная сталь
 Вес, кг/м 6,02
 Единица измерения м



Артикул	Код	Длина (L), мм	Норма поставки	
			м	шт.
TSS-5/4-3800	403230400	3800	95,0	25
TSS-5/4-5800	403230100	5800	145,0	
TSS-5/4-6000	403230200	6000	150,0	

УСТАНОВКА АДАПТЕРА ВАЛА

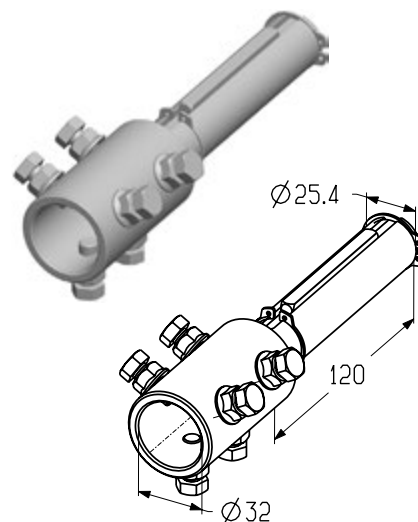


1.5

Адаптер

Предназначен для установки навальных электроприводов и цепного редуктора на вал диаметром 31,75 мм. Используется в промышленных воротах всех типов монтажа.

Материал оцинкованная сталь
 Вес, кг/шт. 0,944
 Единица измерения шт.
 Норма поставки, шт. 10



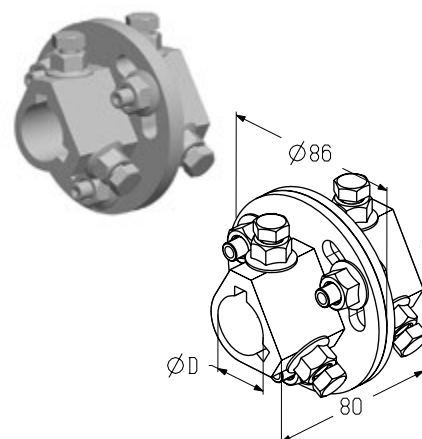
Артикул	Код
SA-5/4	403720000

Муфта соединительная АС-1

Предназначена для сборки торсионного вала. Используется в гаражных и промышленных воротах всех типов монтажа.

Материал оцинкованная сталь
Единица измерения шт.

Артикул	Код	Диаметр вала (d), мм	Вес, кг/шт.	Норма поставки, шт.
АС-1	403710000	25,4	0,73	100

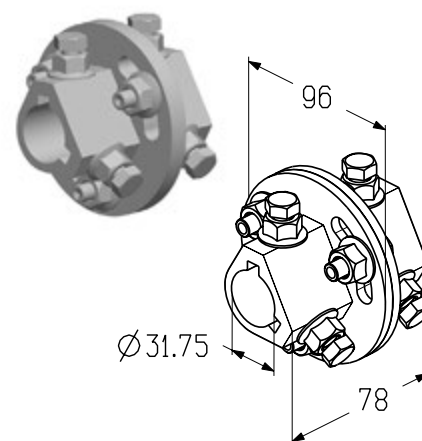


Муфта соединительная АС-5/4

Предназначена для сборки торсионного вала. Используется в гаражных и промышленных воротах всех типов монтажа.

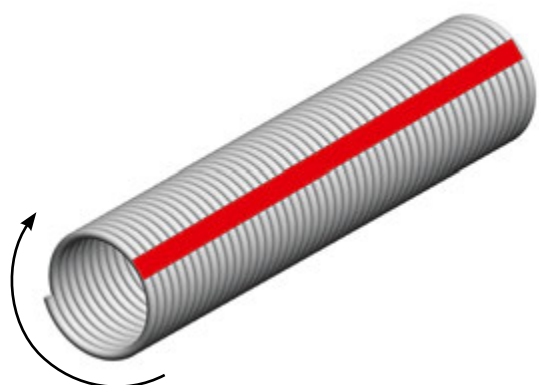
Материал оцинкованная сталь
Единица измерения шт.

Артикул	Код	Диаметр вала (d), мм	Вес, кг/шт.	Норма поставки, шт.
АС-5/4	403710100	31,8	0,70	14



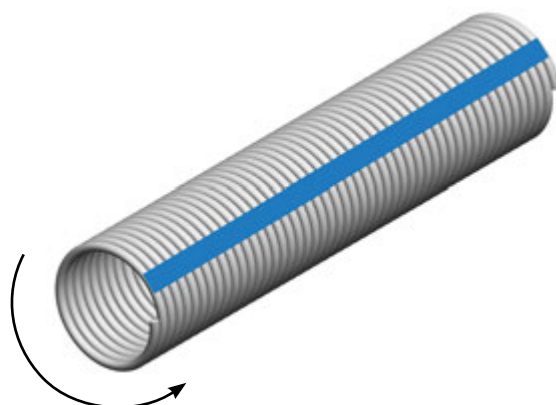
ПРУЖИНА С ЛЕВОЙ НАВИВКОЙ — L

(маркируется красным цветом)



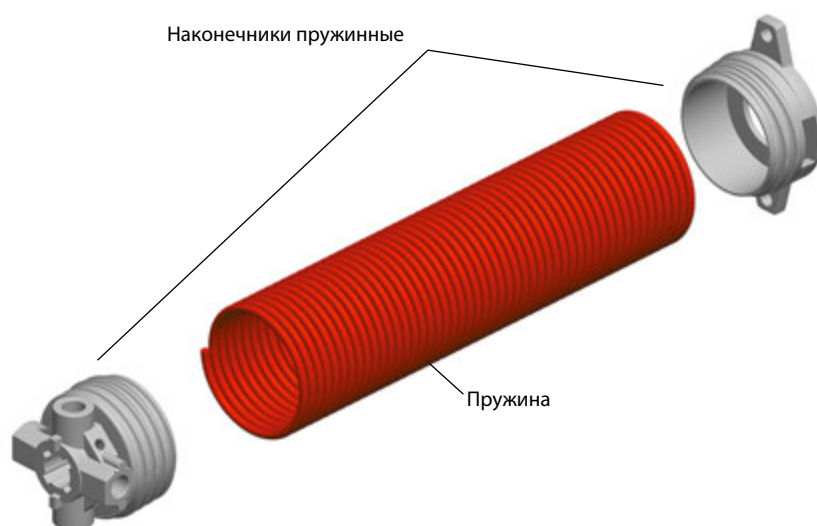
ПРУЖИНА С ПРАВОЙ НАВИВКОЙ — R

(маркируется любым другим цветом)



1.5

СХЕМАТИЧЕСКОЕ ИЗОБРАЖЕНИЕ ПРУЖИНЫ С НАКОНЕЧНИКАМИ ПРУЖИННЫМИ



СХЕМАТИЧЕСКОЕ ИЗОБРАЖЕНИЕ ДУПЛЕКСНОЙ ПРУЖИНЫ

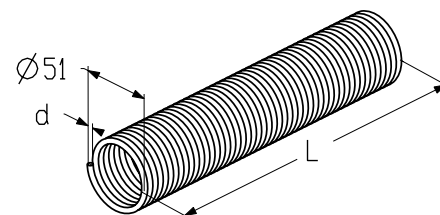


Пружина

Используется:

- в гаражных воротах с торсионными пружинами всех типов монтажа;
- в промышленных воротах всех типов монтажа.

Внутренний диаметр, мм 51
 Диаметр вала, мм 25,4
 Материал стальная проволока
 Покрытие полимерное
 Цвет RAL 9006
 Единица измерения м



Артикул	Код	Диаметр (d), мм	Длина (L), мм	Вес, кг/м	Норма поставки	
					м	шт.
TSA42,5×51×1000R	403803100	4,25	1000	4,55	5,00	5
TSA42,5×51×1000L	403803200					
TSA45×51×1100R	403380200	4,50	1100	4,80	5,50	
TSA45×51×1100L	403380300					
TSA47,5×51×1250R	403380400	4,75	1250	5,00	6,25	
TSA47,5×51×1250L	403380500					
TSA50×51×1350R	403800100	5,00	1350	5,40	6,75	
TSA50×51×1350L	403800200					
TSA52,5×51×1300R	403803300	5,25	1300	5,70	6,50	
TSA52,5×51×1300L	403803400					
TSA55×51×1400R	403800700	5,50	1400	6,00	7,00	
TSA55×51×1400L	403800800					
TSA57,5×51×1600R	403800900	5,75	1600	6,35	8,00	
TSA57,5×51×1600L	403801000					
TSA60×51×1700R	403801100	6,00	1700	6,62	8,50	
TSA60×51×1700L	403801200					
TSA62,5×51×1800R	403801300	6,25	1800	6,80	9,00	
TSA62,5×51×1800L	403801400					
TSA65×51×1900R	403801500	6,50	1900	7,24	9,50	
TSA65×51×1900L	403801600					
TSA70×51×1400R	403382000	7,00	1400	7,70	7,00	
TSA70×51×1400L	403382100					
TSA70×51×2000R	403384800	7,00	2000	7,70	10,00	
TSA70×51×2000L	403384900					

* Указанные цвета имеют близкое соответствие шкале RAL.

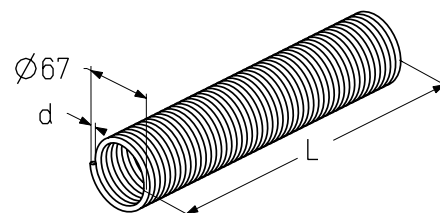
ПРУЖИНЫ И НАКОНЕЧНИКИ ПРУЖИННЫЕ

Пружина

Используется:

- в гаражных воротах с торсионными пружинами всех типов монтажа;
- в промышленных воротах всех типов монтажа.

Внутренний диаметр, мм 67
 Диаметр вала, мм 25,4
 Материал стальная проволока
 Покрытие полимерное
 Цвет RAL 9006
 Единица измерения м



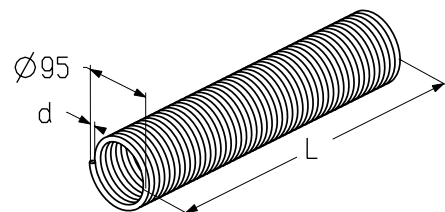
Артикул	Код	Диаметр (d), мм	Длина (L), мм	Вес, кг/м	Норма поставки	
					м	шт.
TSA55×67×1200R	403383700	5,50	1200	7,72	6,00	5
TSA55×67×1200L	403382400					
TSA57,5×67×1400R	403382500	5,75	1400	8,10	7,00	
TSA57,5×67×1400L	403382600					
TSA60×67×1500R	403802700	6,00	1500	8,50	7,50	
TSA60×67×1500L	403802800					
TSA62,5×67×1700R	403387200	6,25	1700	8,87	8,50	
TSA62,5×67×1700L	403387300					
TSA65×67×1700R	403803500	6,50	1700	9,25	8,50	
TSA65×67×1700L	403803600					
TSA70×67×1900R	403803700	7,00	1900	10,00	9,00	
TSA70×67×1900L	403803800					
TSA75×67×2200R	403802500	7,50	2200	10,90	11,00	
TSA75×67×2200L	403802600					

* Указанные цвета имеют близкое соответствие шкале RAL.

Пружина

Используется в промышленных воротах всех типов монтаж.

Внутренний диаметр, мм 95
 Диаметр вала, мм 25,4/31,75
 Материал стальная проволока
 Покрытие полимерное
 Цвет* RAL 9006
 Единица измерения м



Артикул	Код	Диаметр (d), мм	Длина (L), мм	Вес, кг/м	Норма поставки	
					м	шт.
TSA65×95×1400L	403374300	6,50	1400	12,80	7,00	5
TSA65×95×1400R	403374400					
TSA70×95×1150L	403376500	7,00	1150	13,80	5,75	
TSA70×95×1150R	403376400					
TSA70×95×1650L	403376700		1650		8,25	
TSA70×95×1650R	403376600					
TSA75×95×1300L	403376900	7,50	1300	14,90	6,50	
TSA75×95×1300R	403376800					
TSA75×95×1750L	403377100		1750		8,75	
TSA75×95×1750R	403377000					
TSA80×95×1500L	403700200	8,00	1500	16,00	7,50	
TSA80×95×1500R	403700100					
TSA80×95×2100L	403370700		2100		10,50	
TSA80×95×2100R	403370800					
TSA85×95×1250L	403370900	8,50	1250	17,00	6,25	
TSA85×95×1250R	403371000					
TSA85×95×1600L	403377300		1600		8,00	
TSA85×95×1600R	403377200					
TSA90×95×1400L	403371100	9,00	1400	18,20	7,00	
TSA90×95×1400R	403371200					
TSA90×95×1500L	403377500		1500		7,50	
TSA90×95×1500R	403377400					
TSA95×95×1600L	403371300	9,50	1600	19,30	8,00	
TSA95×95×1600R	403371400					

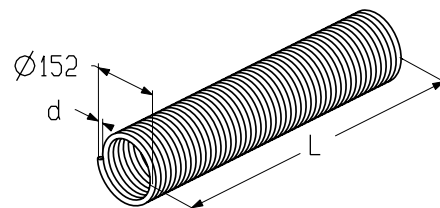
* Указанные цвета имеют близкое соответствие шкале RAL.

ПРУЖИНЫ И НАКОНЕЧНИКИ ПРУЖИННЫЕ

Пружина

Используется в промышленных воротах всех типов монтажа.

Внутренний диаметр, мм	152
Диаметр вала, мм	25,4/31,75
Материал	стальная проволока
Покрытие	полимерное
Цвет*	RAL 9006
Единица измерения	м



Артикул	Код	Диаметр (d), мм	Длина (L), мм	Вес, кг/м	Норма поставки	
					м	шт.
TSA75×152×1300L	403377700	7,50	1300	23,20	6,50	5
TSA75×152×1300R	403377600					
TSA80×152×1500L	403377900	8,00	1500	24,90	7,50	
TSA80×152×1500R	403377800					
TSA85×152×1250L	403700600	8,50	1250	26,40	6,25	
TSA85×152×1250R	403700500					
TSA85×152×1750L	403700400		1750		8,75	
TSA85×152×1750R	403700300					
TSA90×152×2100L	403375400	9,00	2100	28,00	10,50	
TSA90×152×2100R	403375500					
TSA95×152×1300L	403375700	9,50	1300	29,60	6,50	
TSA95×152×1300R	403375600					
TSA95×152×2250L	403372300		2250		11,25	
TSA95×152×2250R	403372400					
TSA100×152×1400L	403700800	10,00	1400	31,30	7,00	
TSA100×152×1400R	403700700					
TSA100×152×2450L	403701000		2450		12,25	
TSA100×152×2450R	403700900					
TSA105×152×1400L	403372700	10,50	1400	33,13	7,00	
TSA105×152×1400R	403372800					
TSA105×152×1800L	403374100		1800		9,00	
TSA105×152×1800R	403374200					
TSA110×152×1550L	403375800	11,00	1550	34,70	7,75	
TSA110×152×1550R	403375900					
TSA115×152×1800L	403701200	11,50	1800	36,51	9,00	
TSA115×152×1800R	403701100					
TSA120×152×1700L	403379500	12,00	1700	38,10	8,50	
TSA120×152×1700R	403379400					

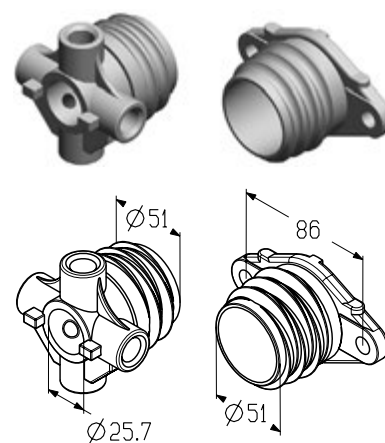
* Указанные цвета имеют близкое соответствие шкале RAL.

Наконечники пружинные 51 мм

Используются совместно с пружинами с внутренним диаметром 51 мм.

Материал	алюминий
Диаметр вала, мм	25,4
Вес, кг/пара	0,7
Единица измерения	пара
Норма поставки, пара	100

Артикул	Код
SF-51	403120000

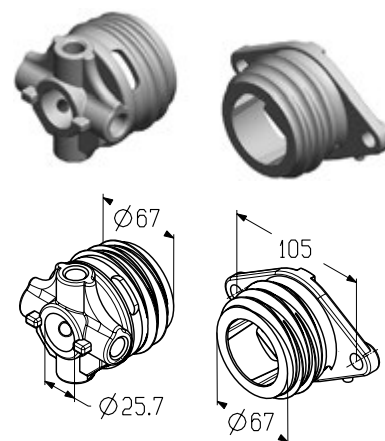


Наконечники пружинные 67 мм

Используются совместно с пружинами с внутренним диаметром 67 мм.

Материал	алюминий
Диаметр вала, мм	25,4
Вес, кг/пара	1
Единица измерения	пара
Норма поставки, пара	100

Артикул	Код
SF-67	403120100

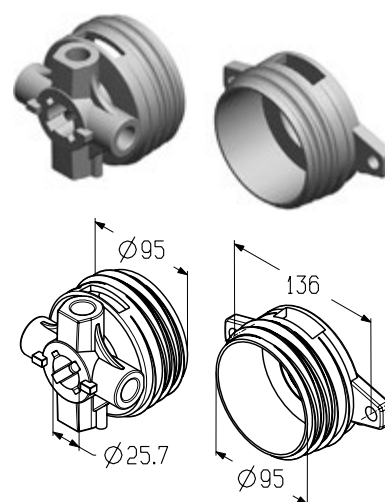


Наконечники пружинные 95 мм

Используются совместно с пружинами с внутренним диаметром 95 мм.

Материал	алюминий
Диаметр вала, мм	25,4
Вес, кг/пара	3,2
Единица измерения	пара
Норма поставки, пара	20

Артикул	Код
SF-95	403120200



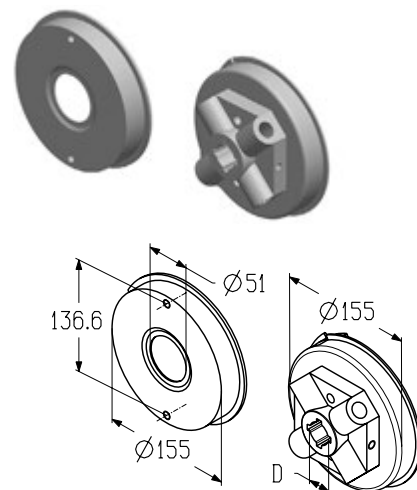
ПРУЖИНЫ И НАКОНЕЧНИКИ ПРУЖИННЫЕ

Наконечники пружинные 152 мм

Используются совместно с пружинами с внутренним диаметром 152 мм.

Материал алюминий
 Вес, кг/пара 1,33
 Единица измерения пара
 Норма поставки, пара 7

Артикул	Код	Диаметр вала (d), мм	Применение
SF-152L	403120500	25,4	Левый
SF-152R	403120400		Правый
SF-152L-5/4	403130200	31,75	Левый
SF-152R-5/4	403130100		Правый



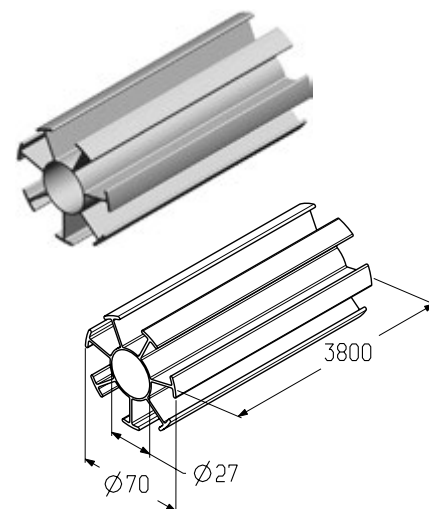
1.5

Профиль проставочный

Применяется совместно с пружиной с внутренним диаметром 95 мм.

Диаметр вала, мм 25,4
 Длина, мм 3000
 Материал ПВХ
 Вес, кг/м 1,7
 Единица измерения м
 Норма поставки, м 150

Артикул	Код
IP-95-3800	403520300

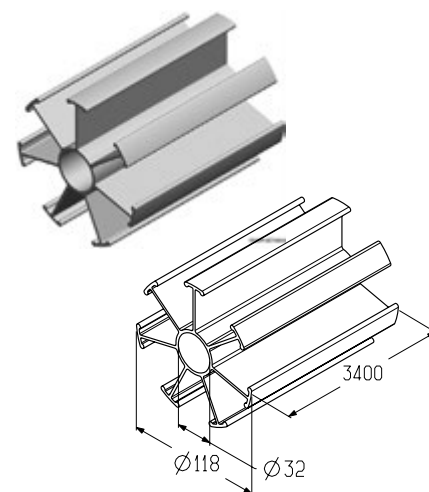


Профиль проставочный

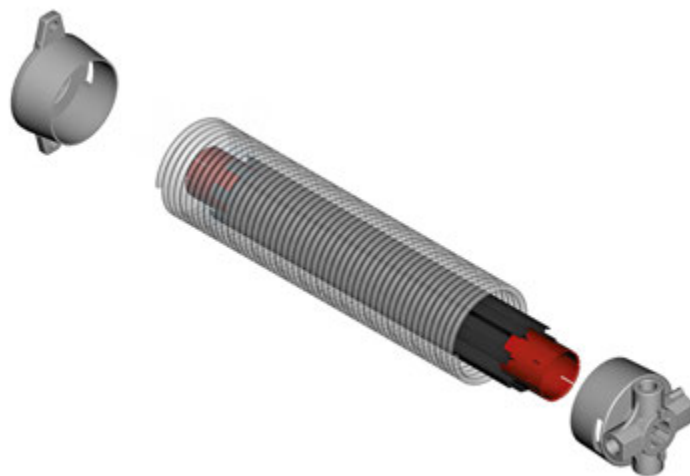
Применяется совместно с пружиной с внутренним диаметром 152 мм.

Диаметр вала, мм 25,4/31,75
 Длина, мм 3000
 Материал ПВХ
 Вес, кг/м 1,16
 Единица измерения м
 Норма поставки, м 225

Артикул	Код
IP-152-3400	403520200



УСТАНОВКА АДАПТЕРА ПРОСТАВОЧНОГО

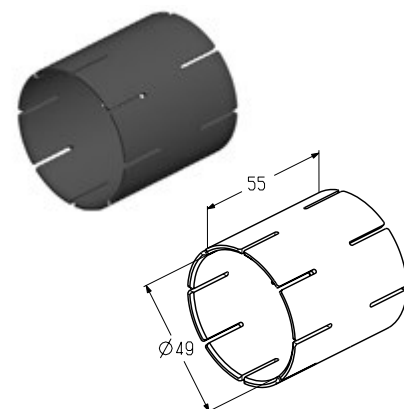


Адаптер проставочный

Предназначен для установки совместно с профилем проставочным.

Материал	PVC
Единица измерения	шт.
Вес, кг/шт.	0,017
Норма поставки, шт.	140

Артикул	Код
DH-4015	403500100



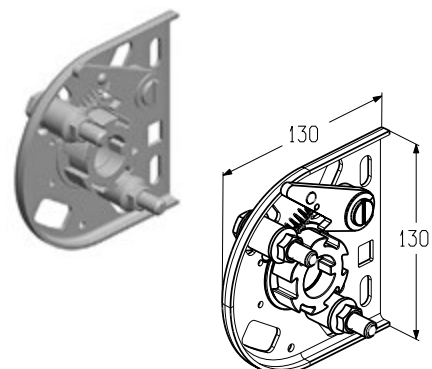
МУФТЫ ПРЕДОХРАНИТЕЛЬНЫЕ ХРАПОВЫЕ

Муфта предохранительная храповая

Предназначена для блокировки вала при поломке пружины. Используется в гаражных воротах с торсионными пружинами стандартного и низкого типов монтажа.

Материал	оцинкованная сталь
Вес, кг/шт.	0,7
Диаметр вала, мм	25,4
Единица измерения	шт.
Норма поставки, шт.	32

Артикул	Код	Применение
SBD-TR	403732700	Правая
SBD-TL	403732600	Левая



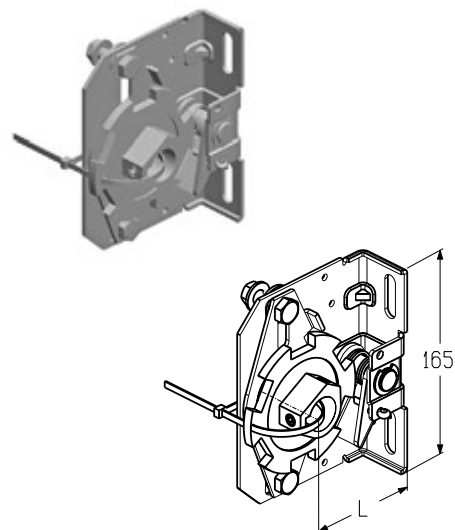
1.5

Муфта предохранительная храповая

Предназначена для блокировки вала при поломке пружины. Используется в промышленных воротах всех типов монтажа.

Диаметр вала, мм	25,4
Материал	оцинкованная сталь
Единица измерения	шт.

Артикул	Код	Примечание	Применение	Норма поставки, шт.
SBD-86R	403731800	Расстояние от стены до оси вала более 86 мм	Правая	15
SBD-86L	403731900		Левая	
SBD-111R	403732000	Расстояние от стены до оси вала более 111 мм	Правая	10
SBD-111L	403732100		Левая	
SBD-127R	403732200	Расстояние от стены до оси вала более 127 мм	Правая	
SBD-127L	403732300		Левая	
SBD-152R	403732400	Расстояние от стены до оси вала более 152 мм	Правая	
SBD-152L	403732500		Левая	

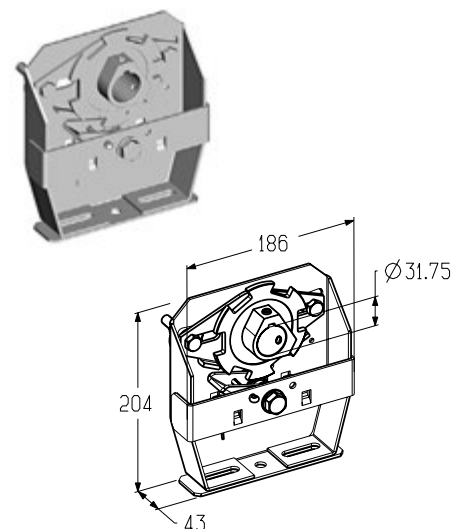


Муфта предохранительная храповая

Предназначена для блокировки вала при поломке пружины. Используется в промышленных воротах всех типов монтажа. Устанавливается совместно с пружинами с внутренним диаметром 95, 152 мм.

Материал	оцинкованная сталь
Диаметр вала, мм	31,75
Единица измерения	шт.
Вес, кг/шт.	2,50
Норма поставки, шт.	20

Артикул	Код	Применение
SBD-TSS5/4L	403730800	Левая
SBD-TSS5/4R	403730900	Правая



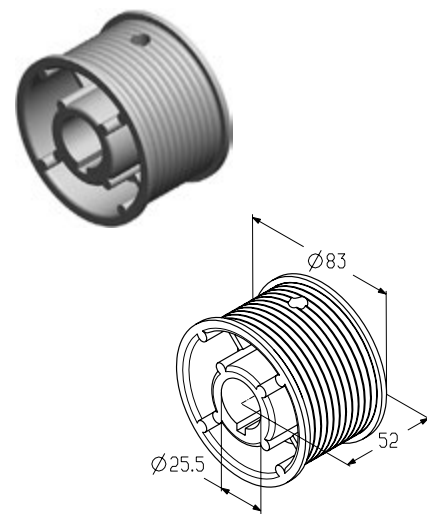
Барaban

Предназначен для намотки троса Ø3 мм. Используется:

- в гаражных воротах с торсионными пружинами стандартного и низкого типов монтажа;
- в промышленных воротах стандартного, низкого, наклонного низкого и наклонного типов монтажа.

Диаметр вала, мм	25,4
Мах высота ворот, мм	3000
Мах масса полотна ворот, кг	320
Материал	алюминий
Вес, кг/пара	0,8
Единица измерения	пара
Норма поставки, пара	25

Артикул	Код
CD010N	403020000



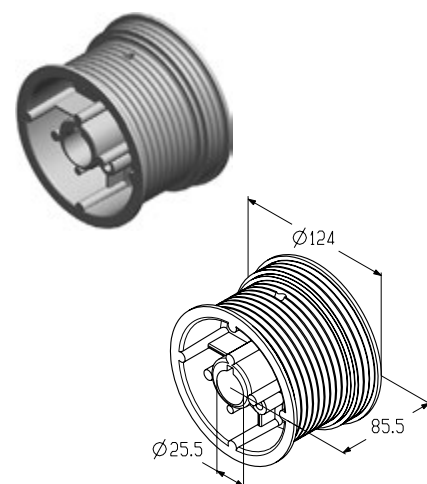
Барaban

Предназначен для намотки троса Ø3, 4, 5 мм. Используется:

- в гаражных воротах с торсионными пружинами стандартного и низкого типов монтажа;
- в промышленных воротах стандартного, низкого, наклонного низкого и наклонного типов монтажа.

Диаметр вала, мм	25,4
Мах высота ворот, мм	3680
Мах масса полотна ворот, кг	500
Материал	алюминий
Вес, кг/пара	1,1
Единица измерения	пара
Норма поставки, пара	20

Артикул	Код
CD012N	403020100

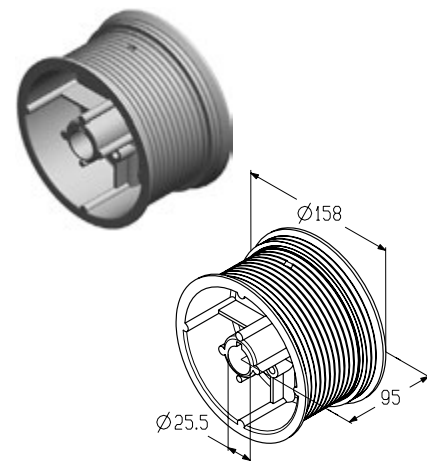


Барaban

Предназначен для намотки троса Ø3, 4, 5 мм. Используется в промышленных воротах стандартного, низкого, наклонного низкого и наклонного типов монтажа.

Диаметр вала, мм	25,4
Мах высота ворот, мм	5570
Мах масса полотна ворот, кг	500
Материал	алюминий
Вес, кг/пара	1,6
Единица измерения	пара
Норма поставки, пара	15

Артикул	Код
CD018N	403020200



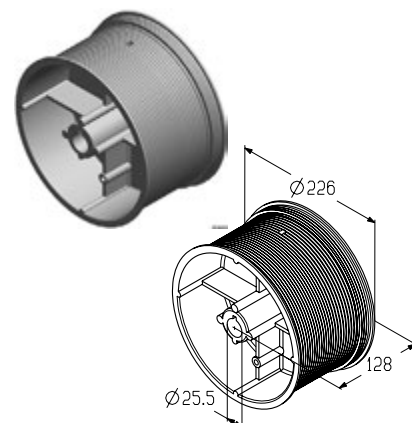
БАРАБАНЫ

Барабан

Предназначен для крепления троса Ø3, 4, 5, 6 мм. Используется в промышленных воротах стандартного, низкого, наклонного низкого и наклонного типов монтажа.

Диаметр вала, мм	25,4
Мах высота ворот, мм	10175
Мах масса полотна ворот, кг	700
Материал	алюминий
Вес, кг/пара	5,1
Единица измерения	пара
Норма поставки, пара	4

Артикул	Код
CD032N	403020300



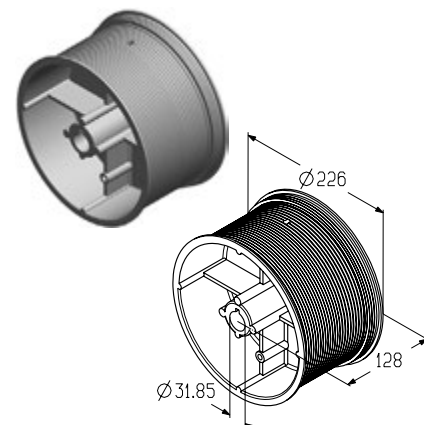
1.5

Барабан

Предназначен для крепления троса Ø3, 4, 5, 6 мм. Используется в промышленных воротах стандартного, низкого, наклонного низкого и наклонного типов монтажа.

Диаметр вала, мм	31,75
Мах высота ворот, мм	10175
Мах масса полотна ворот, кг	700
Материал	алюминий
Вес, кг/пара	5,1
Единица измерения	пара
Норма поставки, пара	2

Артикул	Код
CD032N-5/4	403030000

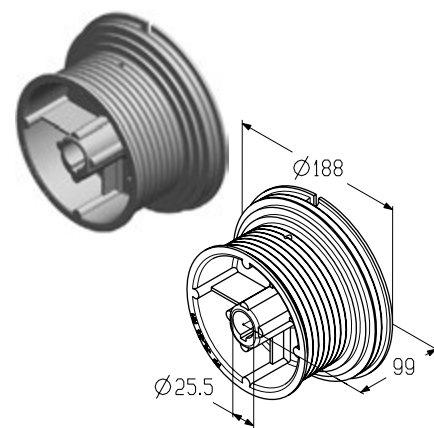


Барабан

Предназначен для крепления троса Ø3, 4, 5 мм. Используется в промышленных воротах высокого и высокого наклонного типов монтажа.

Диаметр вала, мм	25,4
Мах высота ворот, мм	4800
Мах масса полотна ворот, кг	500
Мах HL*, мм	1370
Материал	алюминий
Вес, кг/пара	2,1
Единица измерения	пара
Норма поставки, пара	6

Артикул	Код
CD054H	403020400



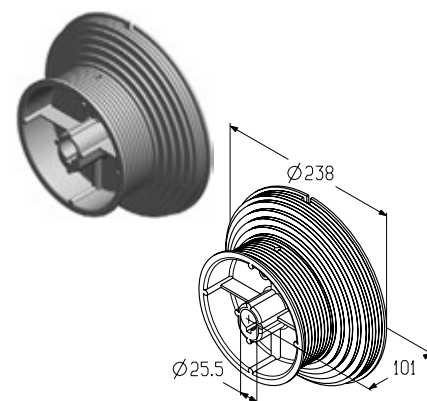
* Максимальное расстояние от нижнего края перемычки до нижнего края горизонтальных направляющих.

Барабан

Предназначен для крепления троса Ø3, 4, 5 мм. Используется в промышленных воротах высокого и высокого наклонного типов монтажа.

Диаметр вала, мм	4
Мах высота ворот, мм	5050
Мах масса полотна ворот, кг	500
Мах HL*, мм	3050
Материал	алюминий
Вес, кг/пара	2,9
Единица измерения	пара
Норма поставки, пара	5

Артикул	Код
CD120H	403020500

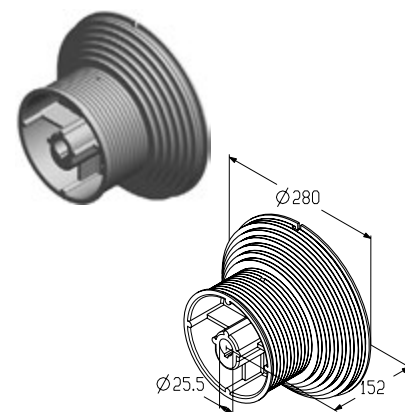


Барабан

Предназначен для крепления троса Ø3, 4, 5, 6 мм. Используется в промышленных воротах высокого и высокого наклонного типов монтажа.

Диаметр вала, мм	25,4
Мах высота ворот, мм	6000
Мах масса полотна ворот, кг	650
Мах HL*, мм	4100
Материал	алюминий
Вес, кг/пара	6,5
Единица измерения	пара
Норма поставки, пара	3

Артикул	Код
CD164H	403020600

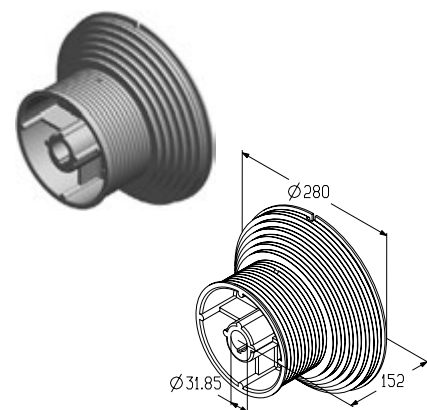


Барабан

Предназначен для крепления троса Ø3, 4, 5, 6 мм. Используется в промышленных воротах высокого и высокого наклонного типов монтажа.

Диаметр вала, мм	31,75
Мах высота ворот, мм	6000
Мах масса полотна ворот, кг	650
Мах HL*, мм	4100
Материал	алюминий
Вес, кг/пара	6,5
Единица измерения	пара
Норма поставки, пара	2

Артикул	Код
CD164H-5/4	403030100



* Максимальное расстояние от нижнего края перемычки до нижнего края горизонтальных направляющих.

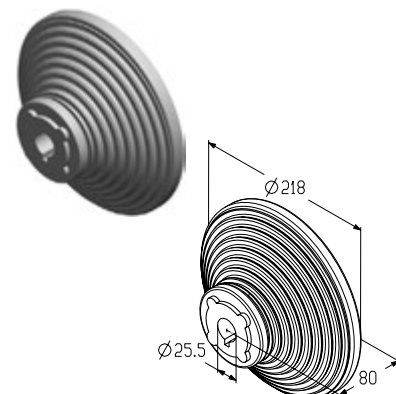
БАРАБАНЫ

Барабан

Предназначен для крепления троса Ø3, 4, 5 мм. Используется в промышленных воротах вертикальных типов монтажа.

Диаметр вала, мм	25,4
Мах высота ворот, мм	3300
Мах масса полотна ворот, кг	500
Материал	алюминий
Вес, кг/пара	1,9
Единица измерения	пара
Норма поставки, пара	9

Артикул	Код
CD011V	403020700



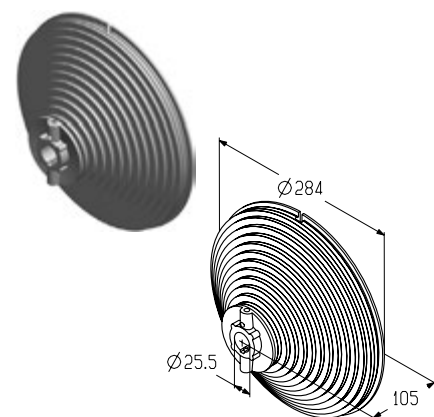
1.5

Барабан

Предназначен для крепления троса Ø3, 4, 5 мм. Используется в промышленных воротах вертикальных типов монтажа.

Диаметр вала, мм	25,4
Мах высота ворот, мм	6000
Мах масса полотна ворот, кг	600
Материал	алюминий
Вес, кг/пара	4
Единица измерения	пара
Норма поставки, пара	5

Артикул	Код
CD018V	403020800

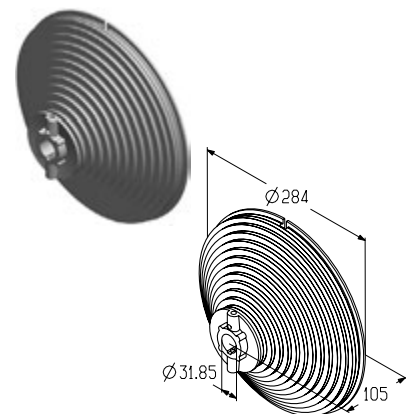


Барабан

Предназначен для крепления троса Ø3, 4, 5 мм. Используется в промышленных воротах вертикальных типов монтажа.

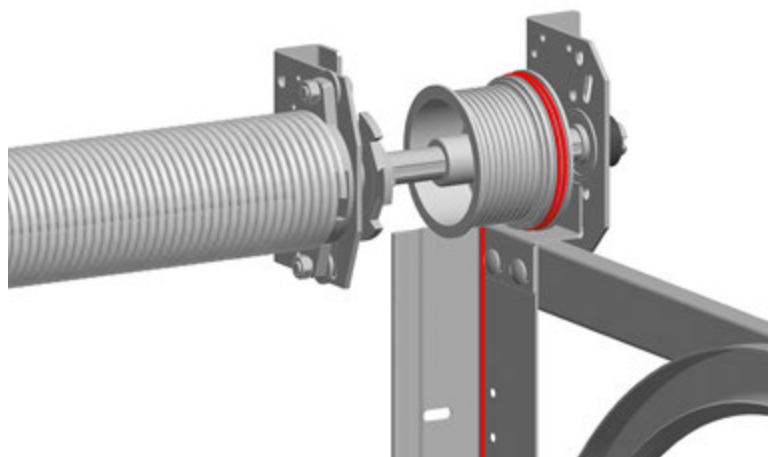
Диаметр вала, мм	31,75
Мах высота ворот, мм	6000
Мах масса полотна ворот, кг	600
Материал	алюминий
Вес, кг/пара	4
Единица измерения	пара
Норма поставки, пара	4

Артикул	Код
CD018V-5/4	403030200

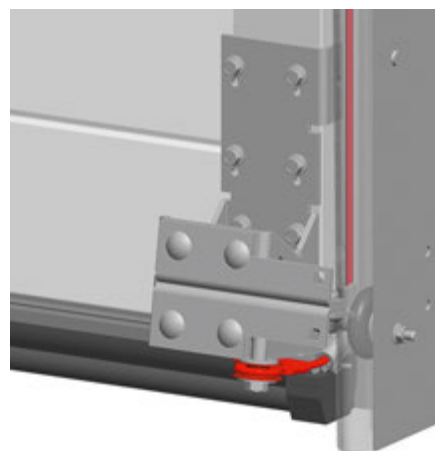


УСТАНОВКА ТРОСА

Барaban



Нижний кронштейн

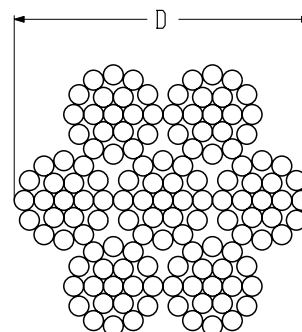


Трос

Предназначен для подъема полотна ворот.

Материал оцинкованная сталь
Единица измерения м
Норма поставки, м 1000

Артикул	Код	Диаметр троса (d), мм	Вес, кг/м	Для ворот с массой полотна, кг
CR-3-250	403930000	3	0,032	до 135
CR-4-250	403930100	4	0,064	от 135 до 200
CR-5-250	403930200	5	0,090	от 200 до 450
CR-6-250	403930300	6	0,140	от 450

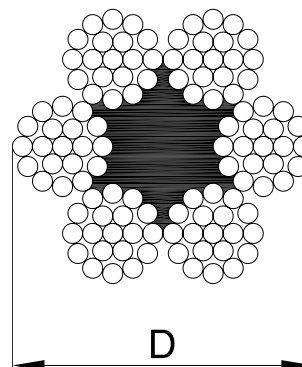


Трос

Предназначен для подъема полотна ворот. Применяется в гаражных и промышленных воротах всех типов монтажа.

Материал оцинкованная сталь+PVC
Единица измерения м
Норма поставки, м 1000

Артикул	Код	Диаметр троса (d), мм	Вес, кг/м	Для ворот с массой полотна, кг
CR-3-250-P	403930800	3	0,055	до 135
CR-4-250-P	403930900	4	0,086	от 135 до 200
CR-5-250-P	403931000	5	0,125	от 200 до 450



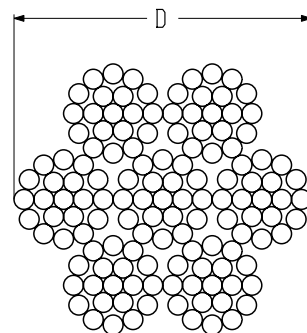
ТРОСЫ, КОУШИ, ЗАЖИМЫ

Трос

Предназначен для подъема полотна ворот.

Материал нержавеющая сталь
 Единица измерения м
 Норма поставки, м 1000

Артикул	Код	Диаметр троса (d), мм	Вес, кг/м	Для ворот с массой полотна, кг
CR-3-250-SS	403930400	3	0,036	до 135
CR-4-250-SS	403930500	4	0,062	от 135 до 200
CR-5-250-SS	403930600	5	0,102	от 200 до 450
CR-6-250-SS	403930700	6	0,154	от 450



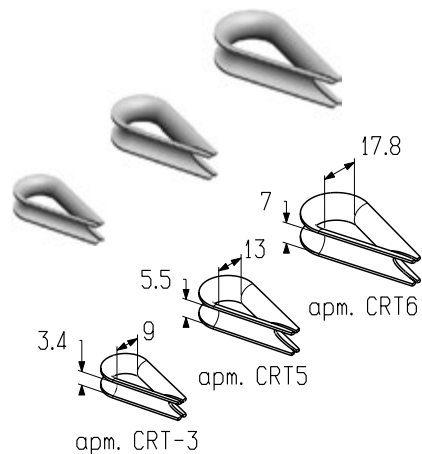
1.5

Коуш

Предназначен для заделки троса.

Материал оцинкованная сталь
 Единица измерения шт.
 Норма поставки, шт. 1000

Артикул	Код	Диаметр троса (d), мм	Вес, кг/шт.
CRT-3	403950000	3	0,002
CRT-5	403950100	5 и 4	0,005
CRT-6	403950200	6	0,008

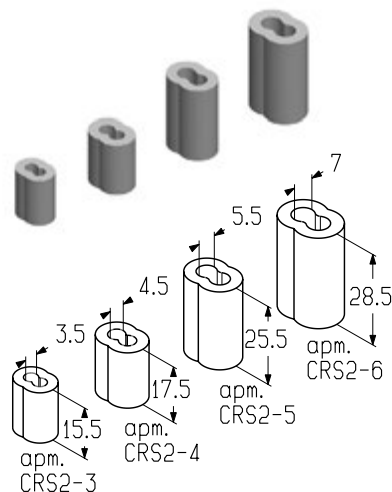


Зажим

Предназначен для заделки троса.

Материал алюминий
 Единица измерения шт.
 Норма поставки, шт. 1000

Артикул	Код	Диаметр троса (d), мм	Вес, кг/шт.
CRS2-3	403940000	3	0,003
CRS2-4	403940100	4	0,004
CRS2-5	403940200	5	0,007
CRS2-6	403940300	6	0,011

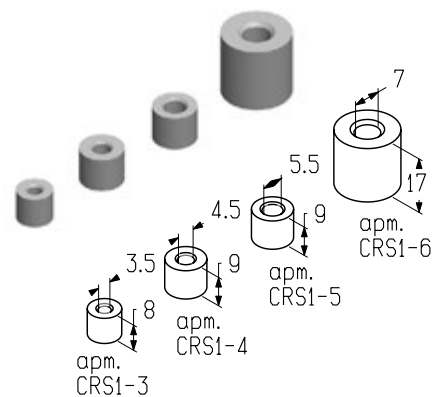


Зажим

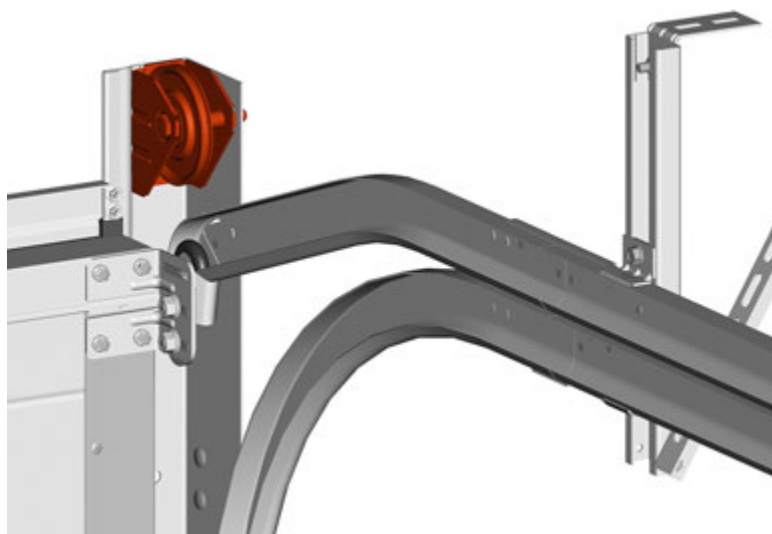
Предназначен для заделки троса.

Материал алюминий
 Единица измерения шт.
 Норма поставки, шт. 1000

Артикул	Код	Диаметр троса (d), мм	Вес, кг/шт.
CRS1-3	403940400	3	0,001
CRS1-4	403940500	4	0,002
CRS1-5	403940600	5	0,002
CRS1-6	403940700	6	0,004



УСТАНОВКА ШКИВА



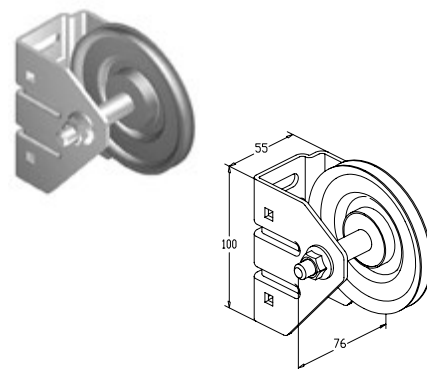
1.5

Кронштейн шкива

Предназначен для установки троса Ø3, 4, 5 мм. Используется в промышленных воротах низкого и наклонного низкого типов монтажа

Внешний диаметр, мм	100
Материал	оцинкованная сталь
Вес, кг/шт.	0,629
Единица измерения	шт.
Норма поставки, шт.	50

Артикул	Код	Применение
PB-3007IR	403410700	Правый
PB-3007IL	403410600	Левый

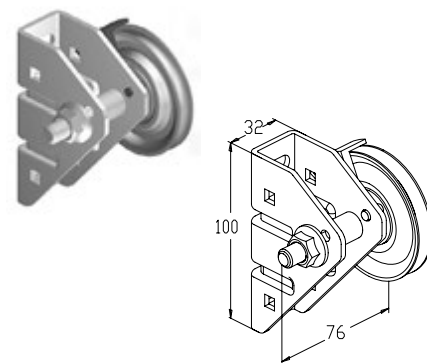


Кронштейн шкива

Предназначен для установки троса Ø3 мм. Используется в гаражных воротах с торсионными пружинами низкого типа монтажа.

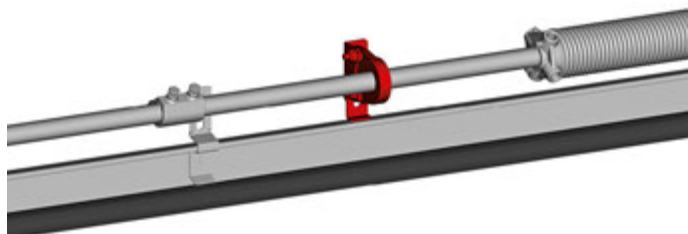
Внешний диаметр, мм	68
Материал	оцинкованная сталь
Вес, кг/шт.	0,490
Единица измерения	шт.
Норма поставки, шт.	50

Артикул	Код	Применение
PB-3008GR	403410500	Правый
PB-3008GL	403410400	Левый

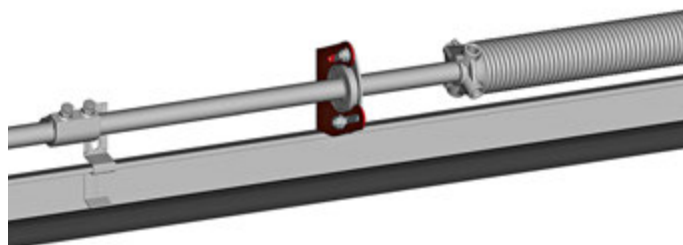


УСТАНОВКА КРОНШТЕЙНА ПРОМЕЖУТОЧНОГО

**Кронштейн промежуточный
(IBB-4501)**



**Кронштейн промежуточный
(IBB-4502)**

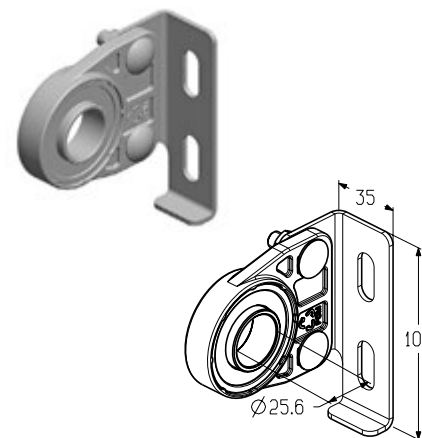


Кронштейн промежуточный

Предназначен для установки торсионного вала. Используется в гаражных воротах с торсионными пружинами стандартного типа монтажа шириной до 5000 мм.

Материал оцинкованная сталь+ПОМ
 Вес, кг/шт. 0,326
 Единица измерения шт.
 Норма поставки, шт. 70

Артикул	Код
IBB-4501	403431100

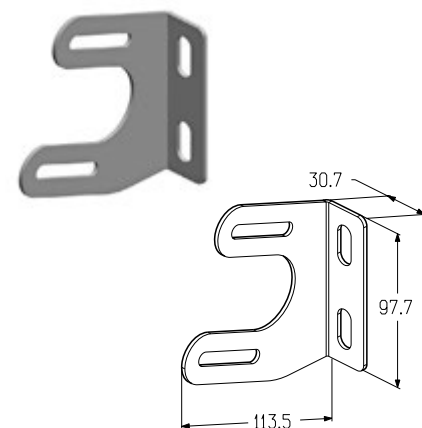


Кронштейн промежуточный

Предназначен для установки торсионного вала. Используется в гаражных воротах с торсионными пружинами стандартного типа монтажа шириной свыше 5000 мм. Устанавливается совместно с подшипником (BB0401) и корпусом подшипника (BR0400).

Материал оцинкованная сталь
 Вес, кг/шт. 0,17
 Единица измерения шт.
 Норма поставки, шт. 100

Артикул	Код
IBB-4502	403431200



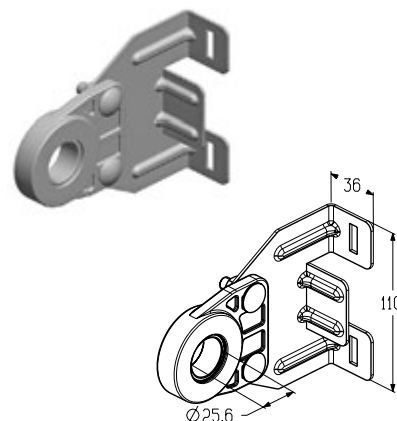
ШКИВЫ И КРОНШТЕЙНЫ ДЛЯ УСТАНОВКИ ТОРСИОННОГО ВАЛА

Кронштейн промежуточный

Предназначен для установки торсионного вала. Используется в гаражных воротах с торсионными пружинами низкого типа монтажа шириной до 5000 мм.

Материал	оцинкованная сталь+ПОМ
Вес, кг/шт.	0,381
Единица измерения	шт.
Норма поставки, шт.	40

Артикул	Код
TBB-4505	403431500



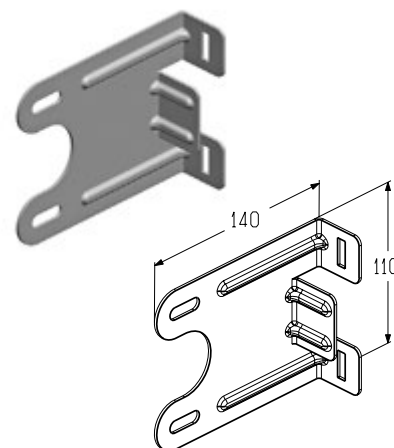
1.5

Кронштейн промежуточный

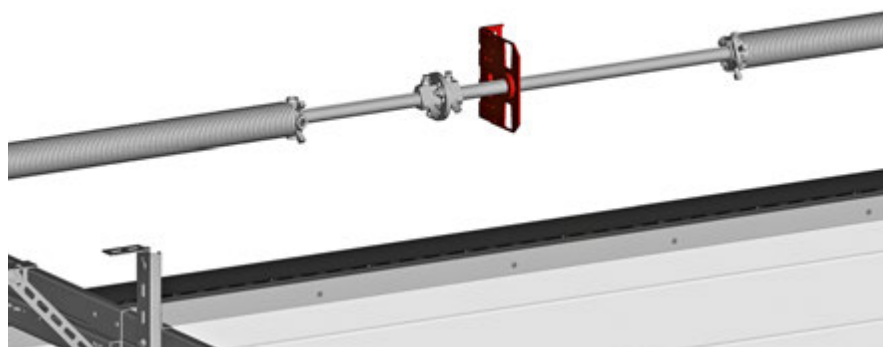
Предназначен для установки торсионного вала. Используется в гаражных воротах с торсионными пружинами низкого типа монтажа шириной свыше 5000 мм. Устанавливается совместно с подшипником (**BB0401**) и корпусом подшипника (**BR0400**).

Материал	оцинкованная сталь
Вес, кг/шт.	0,255
Единица измерения	шт.
Норма поставки, шт.	100

Артикул	Код
IBB-4510	403432300



УСТАНОВКА КРОНШТЕЙНА ПРОМЕЖУТОЧНОГО

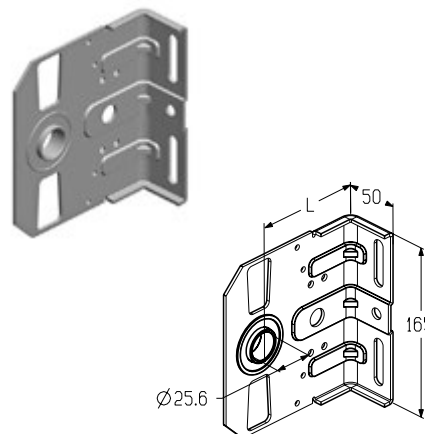


Кронштейн промежуточный

Предназначен для установки торсионного вала. Используется в промышленных воротах всех типов монтажа.

Материал оцинкованная сталь
Диаметр вала, мм 25,4
Единица измерения шт.

Артикул	Код	Размер (L), мм	Вес, кг/шт.	Норма поставки, шт.
IB-86M	403431900	86	0,762	30
IB-111M	403432000	111	0,681	
IB-127M	403432100	127	0,855	
IB-152M	403432200	152	1,211	20

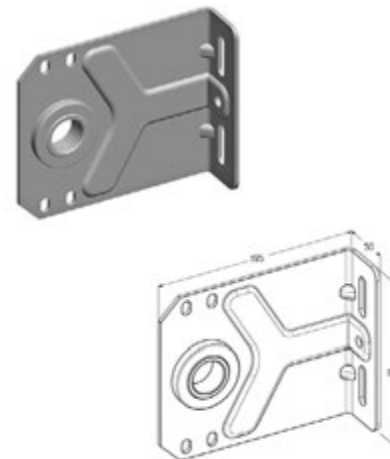


Кронштейн промежуточный

Предназначен для установки торсионного вала. Используется в промышленных воротах всех типов монтажа.

Материал оцинкованная сталь
Диаметр вала, мм 31,75
Единица измерения шт.
Норма поставки, шт. 15

Артикул	Код
IB-152-5/4	403430600



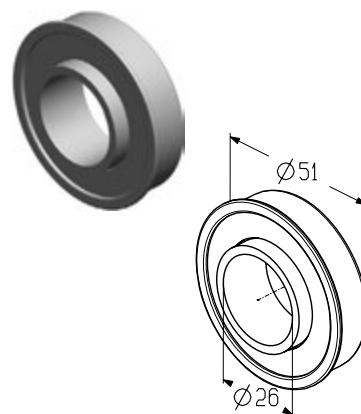
ШКИВЫ И КРОНШТЕЙНЫ ДЛЯ УСТАНОВКИ ТОРСИОННОГО ВАЛА

Подшипник

Предназначен для установки совместно с корпусом подшипника (**BR0400**). Используется в гаражных воротах с торсионными пружинами стандартного типа монтажа.

Вес, кг/шт. 0,112
Единица измерения шт.
Норма поставки, шт. 200

Артикул	Код
BB0401	403910000



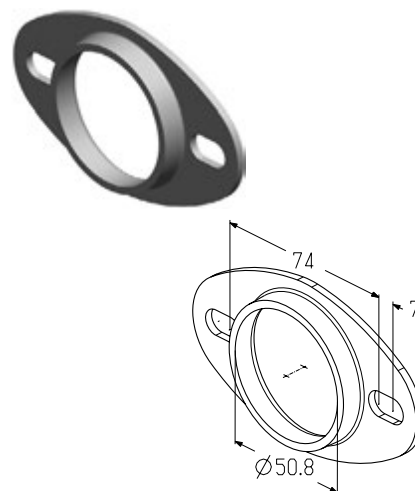
1.5

Корпус подшипника

Предназначен для установки совместно с подшипником (**BB0401**). Используется в гаражных воротах с торсионными пружинами стандартного типа монтажа.

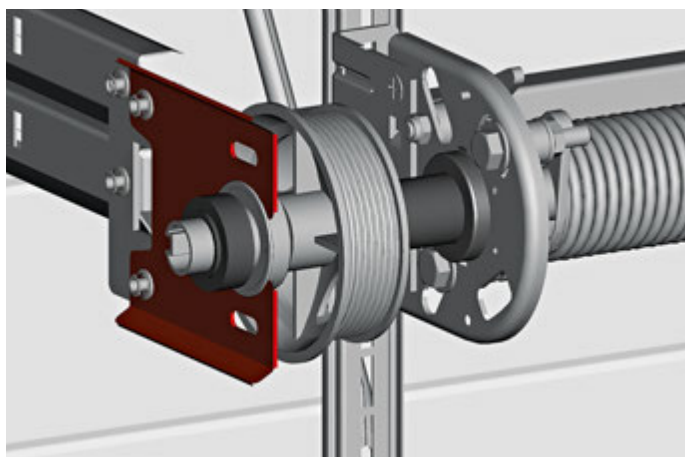
Материал оцинкованная сталь
Вес, кг/шт. 0,118
Единица измерения шт.
Норма поставки, шт. 200

Артикул	Код
BR0400	403920000

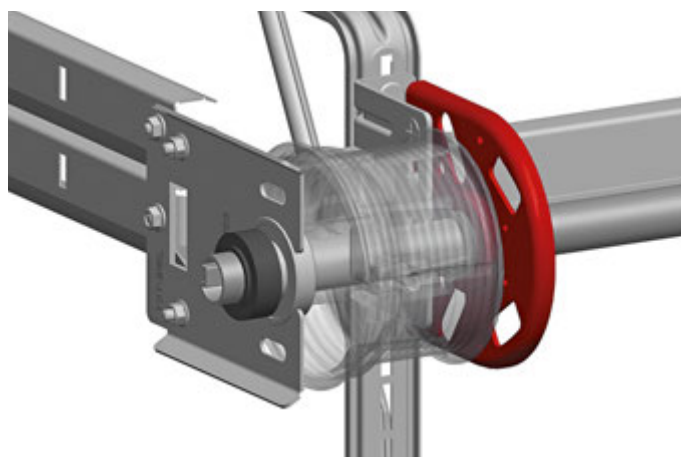


УСТАНОВКА КРОНШТЕЙНА БОКОВОГО

**Кронштейн боковой
(ТВТ-4503)**



**Кронштейн боковой
(ТВ-4507)**

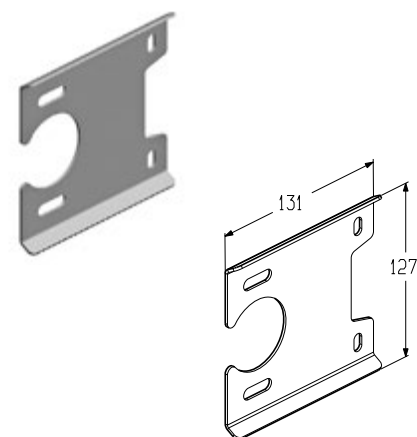


Кронштейн боковой

Предназначен для установки торсионного вала. Применяется в гаражных воротах с торсионными пружинами низкого типа монтажа.

Диаметр вала, мм	25,4
Материал	оцинкованная сталь
Вес, кг/шт.	0,158
Единица измерения	шт.
Норма поставки, шт.	100

Артикул	Код
ТВТ-4503	403431300

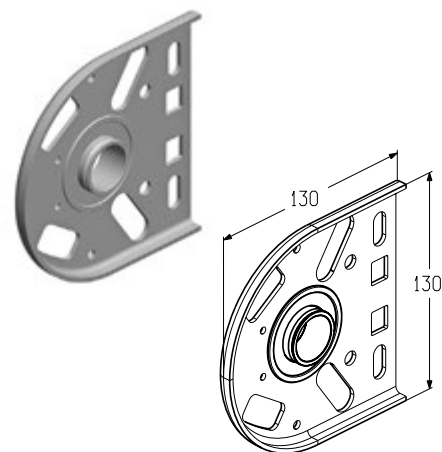


Кронштейн боковой

Предназначен для установки торсионного вала. Применяется в гаражных воротах с одной торсионной пружиной для всех типов монтажа.

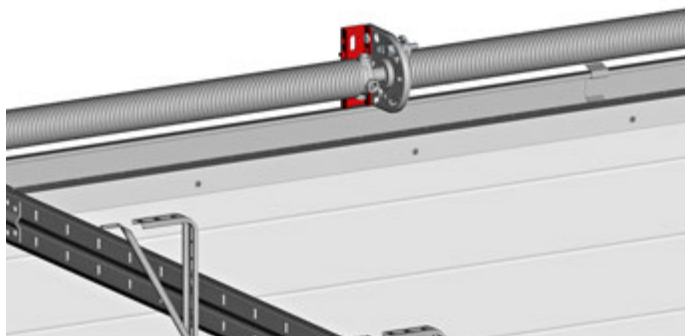
Диаметр вала, мм	25,4
Материал	оцинкованная сталь
Вес, кг/шт.	0,395
Единица измерения	шт.
Норма поставки, шт.	60

Артикул	Код
ТВ-4507	403431600

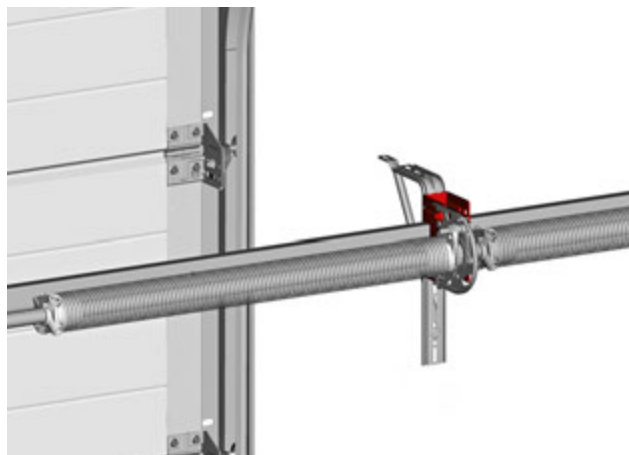


УСТАНОВКА КРОНШТЕЙНА ПРОМЕЖУТОЧНОГО

Кронштейн промежуточный
(IB-4508)



Кронштейн промежуточный
(IB-4509)



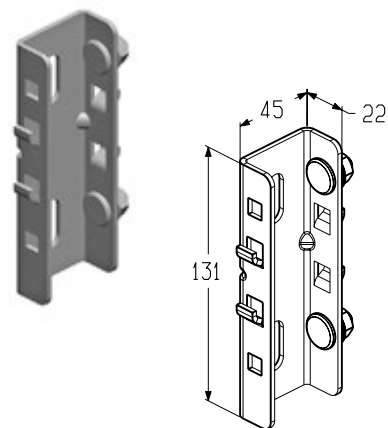
1.5

Кронштейн промежуточный

Предназначен для крепления муфты храповой предохранительной (SBD-TR/L) к проему.
Применяется в гаражных воротах с торсионными пружинами в количестве 3 и более при стандартном типе монтажа.

Материал оцинкованная сталь
Вес, кг/шт. 0,248
Единица измерения шт.
Норма поставки, шт. 108

Артикул	Код
IB-4508	403431700

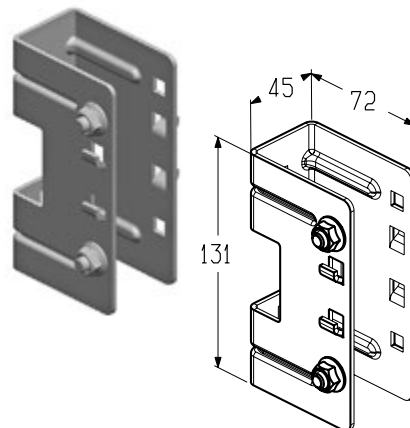


Кронштейн промежуточный

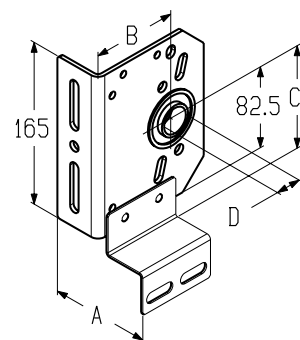
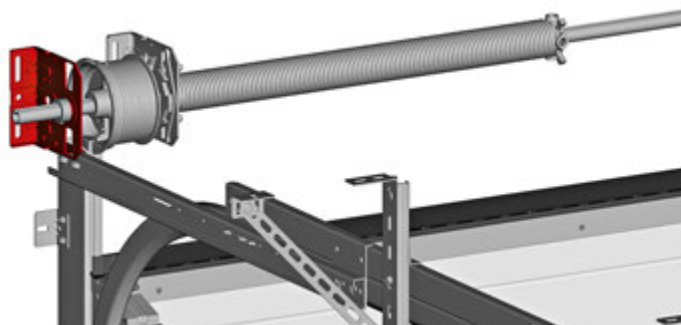
Предназначен для крепления муфты храповой предохранительной (SBD-TR/L) к мерной планке.
Применяется в гаражных воротах с торсионными пружинами в количестве 3 и более при низком типе монтажа.

Материал оцинкованная сталь
Вес, кг/шт. 0,397
Единица измерения шт.
Норма поставки, шт. 48

Артикул	Код
IB-4509	403431800



УСТАНОВКА КРОНШТЕЙНА БОКОВОГО



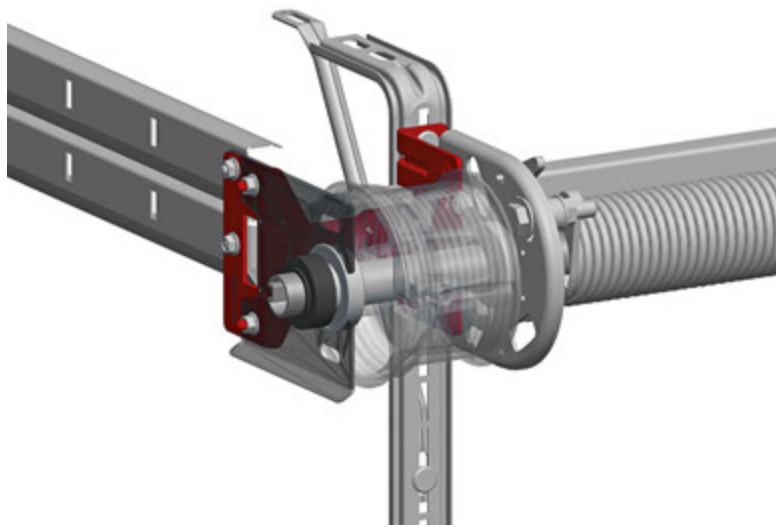
Кронштейн боковой левый
Кронштейн боковой правый

Предназначен для крепления торсионного вала к проему и профилю угловому. Применяется для промышленных ворот.

Диаметр вала, мм 25,4
 Материал оцинкованная сталь
 Единица измерения шт.
 Норма поставки, шт. 15

Артикул	Код	Основные размеры, мм			Диаметр вала (d), мм	Вес, кг/шт.	Применение
		A	B	C			
TBI510ML	403422900	93	86	72,5	25,40	0,905	• для промышленных ворот стандартного и наклонного типов монтажа
TBI510MR	403423000						
TBI520ML	403423100	93	111	72,5	25,40	0,932	
TBI520MR	403423200						
TBI530ML	403423300	93	111	82,5	25,40	0,932	
TBI530MR	403423400						
TBI560ML	403423500	93	127	142,5	25,40	1,056	
TBI560MR	403423600						
TBI580L	403422300	93	152	142,5	31,75	1,550	
TBI580R	403422400						
TBI540ML	403423700	93	111	105,5	25,40	0,932	• для гаражных ворот высокого типа монтажа; • для промышленных ворот стандартного, наклонного типов монтажа, наклонного высокого с верхним расположением вала, высокого с верхним расположением вала типов монтажа
TBI540MR	403423800						
TBI550ML	403423900	113	127	124,5	25,40	1,049	• для гаражных ворот высокого типа монтажа; • для промышленных ворот высокого, наклонного высокого, вертикального типов монтажа с верхним расположением вала
TBI550MR	403424000						
TBI570ML	403424100	128	152	144,5	25,40	1,455	• для промышленных ворот высокого, наклонного высокого, вертикального типов монтажа с верхним расположением вала
TBI570MR	403424200						
TBI590L	403422500	128	152	144,5	31,75	1,590	
TBI590R	403422600						

УСТАНОВКА КРОНШТЕЙНА

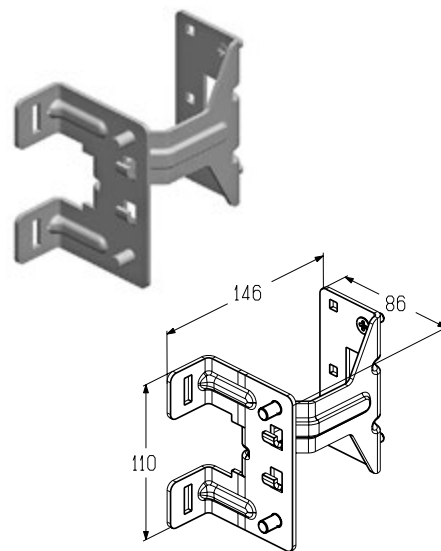


1.5

Кронштейн

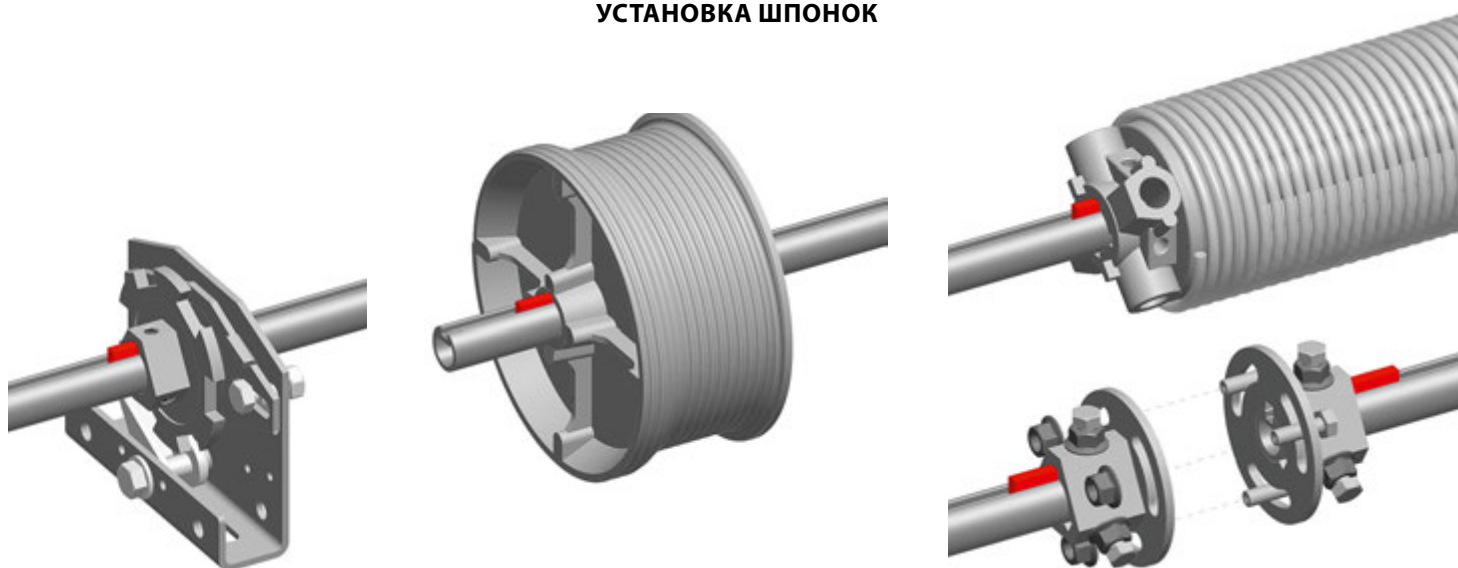
Предназначен для крепления горизонтальных направляющих к мерной планке и для крепления торсионного вала. Используется в гаражных воротах с торсионными пружинами низкого типа монтажа.

Материал оцинкованная сталь
 Вес, кг/шт. 0,489
 Единица измерения шт.
 Норма поставки, шт. 20



Артикул	Код	Применение
TBT-916L	402611700	Левый
TBT-916R	402611800	Правый

УСТАНОВКА ШПОНОК

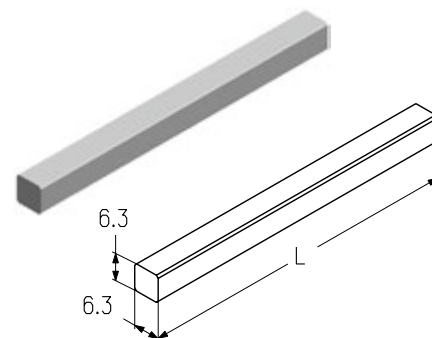


Шпонка

Предназначена для установки на вал сплошной (TSS, TSS-5/4).

Материал оцинкованная сталь
Единица измерения шт.

Артикул	Код	Длина (L), мм	Вес, кг/шт.	Применение	Норма поставки, шт.
SKS-38	403970000	38	0,015	Устанавливается в храповую и соединительную муфты	1000
SKS-75	403970100	75	0,026	Устанавливается в барабан и наконечник пружинный (SF-95, SF-152, SF-152-5/4)	800

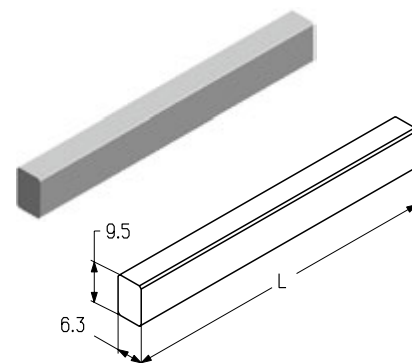


Шпонка

Предназначена для установки на вал пустотелый (TSH).

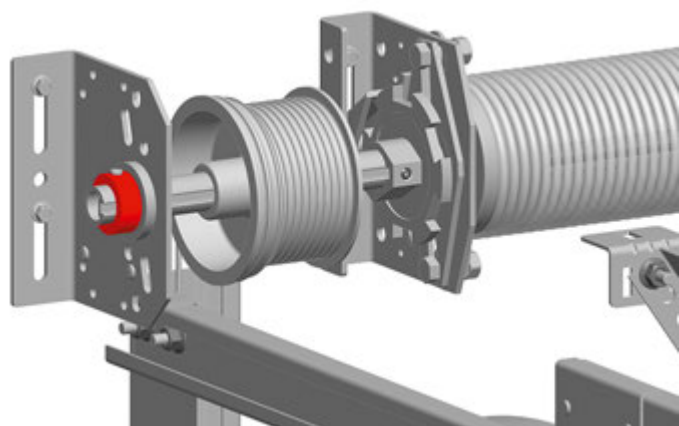
Материал оцинкованная сталь
Единица измерения шт.

Артикул	Код	Длина (L), мм	Вес, кг/шт.	Применение	Норма поставки, шт.
SKH-38	403970200	38	0,180	Устанавливается в храповую и соединительную муфты	1200
SKH-75	403970300	75	0,210	Устанавливается в барабан и наконечник пружинный (SF-95, SF-152, SF-152-5/4)	600

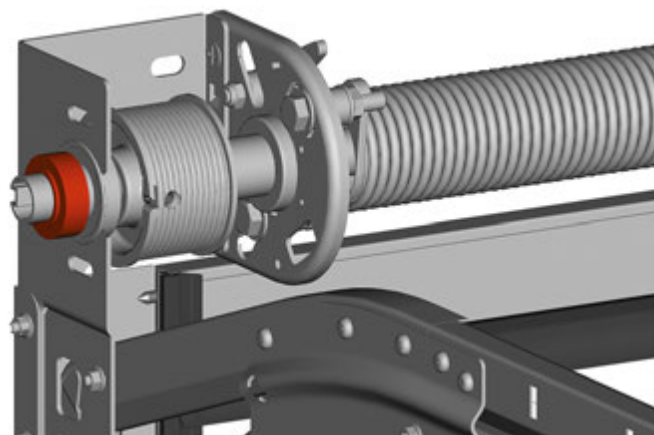


УСТАНОВКА КОЛЕЦ

Установка кольца промышленных ворот



Установка кольца гаражных ворот



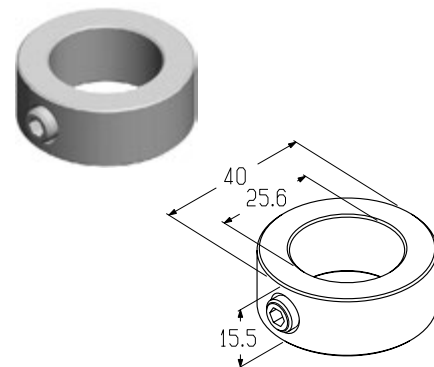
1.5

Кольцо

Предназначено для установки на вал диаметром 25,4 мм промышленных ворот всех типов монтажа. Предотвращает осевое смещение вала.

Материал оцинкованная сталь
 Вес, кг/шт. 0,1
 Единица измерения шт.
 Норма поставки, шт. 200

Артикул	Код
SCI-1	403960000

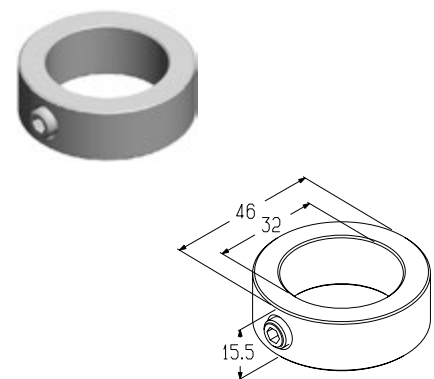


Кольцо

Предназначено для установки на вал диаметром 31,75 мм промышленных ворот всех типов монтажа. Предотвращает осевое смещение вала.

Материал оцинкованная сталь
 Вес, кг/шт. 0,15
 Единица измерения шт.
 Норма поставки, шт. 100

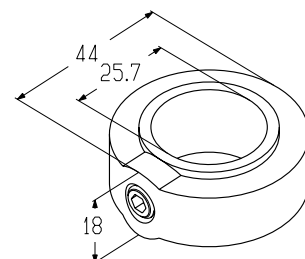
Артикул	Код
SCI-5/4	403960100



Кольцо

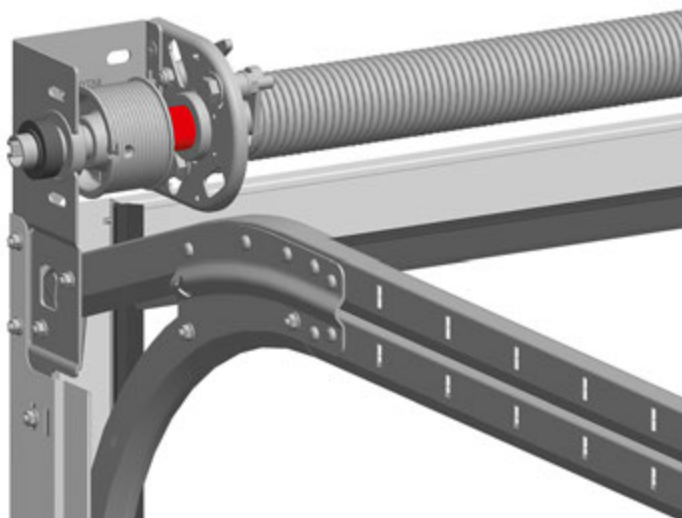
Предназначено для установки на вал диаметром 25,4 мм гаражных ворот с торсионными пружинами всех типов монтажа. Предотвращает осевое смещение вала.

Материал полиамид
 Вес, кг/шт. 0,1
 Единица измерения шт.
 Норма поставки, шт. 200



Артикул	Код
SCG-1	403960200

УСТАНОВКА КОЛЬЦА ДИСТАНЦИОННОГО

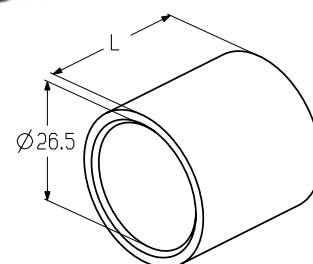
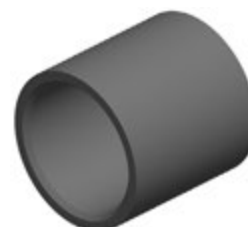


1.5

Кольцо дистанционное

Применяется для установки на вал диаметром 25,4 мм гаражных ворот с торсионными пружинами всех типов монтажа. Предназначен для позиционирования барабана (**CD010N** и **CD012N**) относительно муфты храповой предохранительной (**SBD-TR/L**).

Материал PE-HD
 Вес, кг/шт. 0,001
 Единица измерения шт.
 Норма поставки, шт.



Артикул	Код	Длина (L), мм	Применение	Норма поставки, шт.
DR-CD010	403961100	32	Совместно с барабаном (CD010N)	5200
DR-CD012	403961200	6	Совместно с барабаном (CD012N)	6000

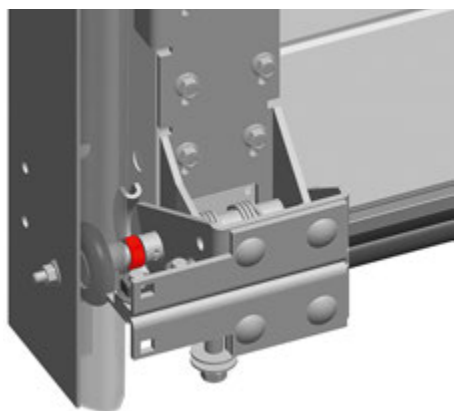


2

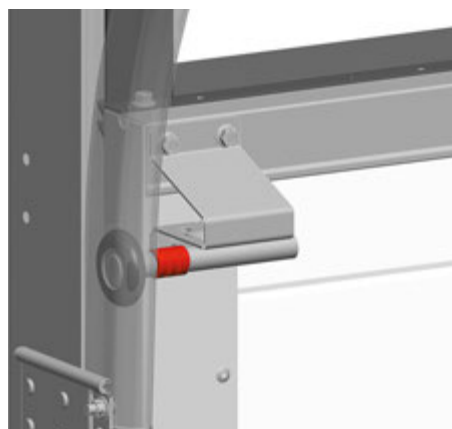
**ДОПОЛНИТЕЛЬНАЯ
КОМПЛЕКТАЦИЯ**

УСТАНОВКА КОЛЕЦ ДИСТАНЦИОННЫХ

Кронштейн нижний



Кронштейн боковой



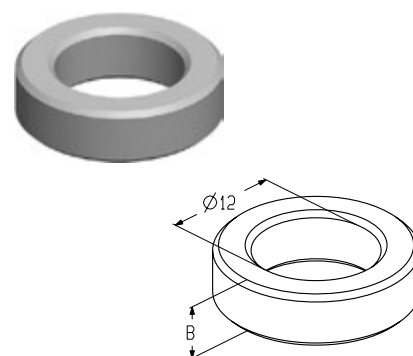
02

Кольцо дистанционное

Предназначено для установки на ролики ходовые кронштейна верхнего (RBI-40.127) и кронштейна нижнего (RBI-40.100R/L, RBI-40.100DR/L, RBI-40.110R/L, RBI-40.110DR/L). Используется в промышленных воротах всех типов монтажа.

Предназначено для установки на ось шкива. Используется в промышленных воротах низкого и наклонного низкого типов монтажа.

Внутренний диаметр, мм 12
 Материал оцинкованная сталь
 Единица измерения шт.
 Норма поставки, шт. 200

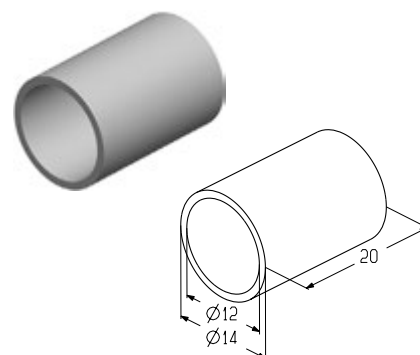


Артикул	Код	Ширина (B), мм	Вес, кг/шт.
DR-12-05	403960600	5	0,004
DR-12-07	403960700	7	0,006
DR-12-10	403960800	10	0,008

Втулка

Предназначена для предохранения троса от истирания. Устанавливается на ролики ходовые первого и второго снизу кронштейна бокового (RBI-40.123). Используется в промышленных воротах высокого, вертикального, наклонного высокого типов монтажа с нижним расположением вала.

Материал ПВХ
 Вес, кг/шт. 0,154
 Единица измерения шт.
 Норма поставки, шт. 50



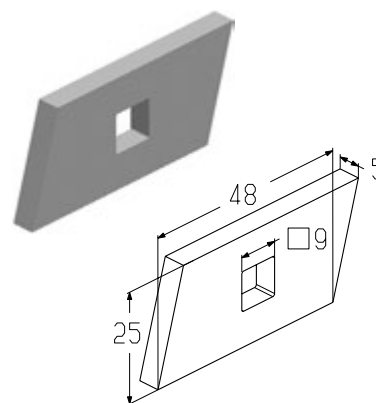
Артикул	Код
10500	403900000

Пластина закладная

Предназначена для:

- крепления демпфера к горизонтальным направляющим в промышленных воротах всех типов монтажа;
- крепления блока (**HKU-002**) в гаражных воротах с пружинами растяжения и торсионными пружинами всех типов монтажа, промышленных воротах всех типов монтажа, кроме вертикального, высокого, наклонного высокого с нижним расположением вала.

Материал оцинкованная сталь
 Вес, кг/шт. 0,04
 Единица измерения шт.
 Норма поставки, шт. 100

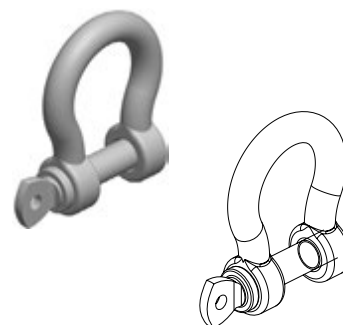


Артикул	Код
CP0506	403900100

Петля

Предназначена для крепления веревки (**PR0503**) к профилю угловому. Используется в промышленных воротах всех типов монтажа, кроме низкого и наклонного низкого.

Материал оцинкованная сталь
 Вес, кг/шт. 0,04
 Единица измерения шт.
 Норма поставки, шт. 100

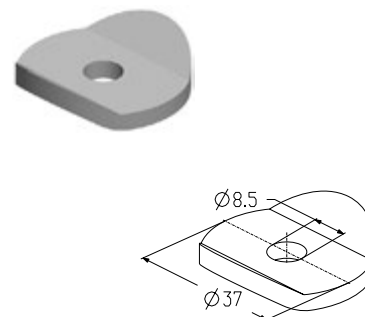


Артикул	Код
S0504	403900900

Крепление

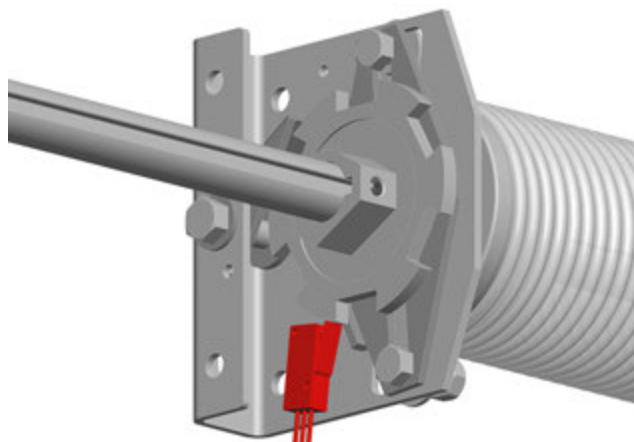
Предназначено для крепления веревки (**PR0503**) к кронштейну нижнему (**RBI-40.100R/L, RBI-40.100DR/L, RBI-40.110R/L, RBI-40.110DR/L, RBI-40.120R/L, RBI-40.120DR/L**). Используется в промышленных воротах всех типов монтажа.

Материал оцинкованная сталь
 Вес, кг/шт. 0,04
 Единица измерения шт.
 Норма поставки, шт. 100



Артикул	Код
RC0505	403901000

УСТАНОВКА ДАТЧИКОВ БЕЗОПАСНОСТИ



02

Микрореле

Предназначено для остановки электропривода при поломке пружины. Устанавливается совместно с муфтой храповой предохранительной. Используется: в промышленных воротах всех типов монтажа.

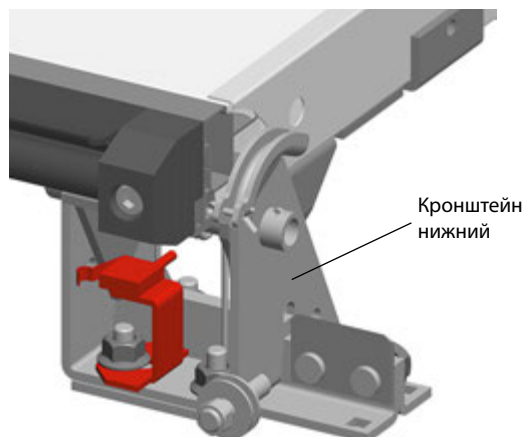
Вес, кг/шт. 0,03
 Единица измерения шт.
 Норма поставки, шт. 50



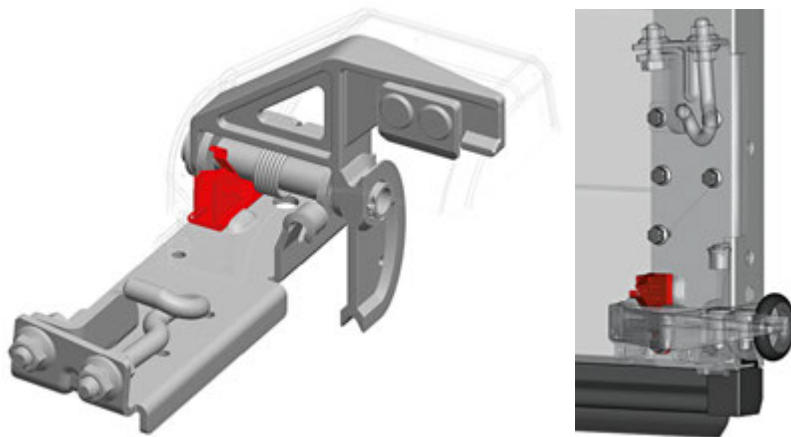
Артикул	Код
SS0402	403900200

УСТАНОВКА ДАТЧИКОВ БЕЗОПАСНОСТИ

**Реле
SS446L/R**



**Реле
SS-40.100**



Реле

Предназначено для остановки электропривода при обрыве троса. Устанавливается совместно с кронштейном нижним (**RBI-40.110L/R, RBI-40.110DL/R, RBI-40.120L/R, RBI-40.120DL/R**). Используется в промышленных воротах всех типов монтажа.

Вес, кг/шт. 0,6
Единица измерения шт.
Норма поставки, шт. 25

Артикул	Код	Применение
SS446L	403900300	Левое
SS446R	403900400	Правое

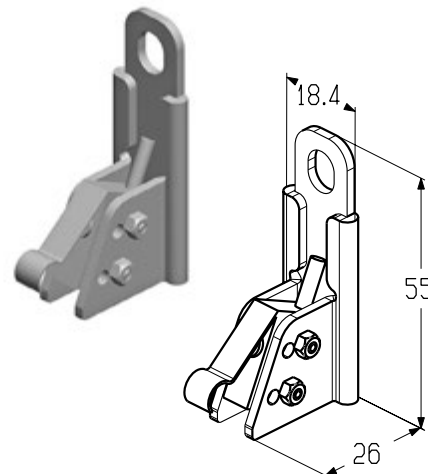


Реле

Предназначено для остановки электропривода при обрыве троса. Устанавливается совместно с кронштейном нижним (**RBI-40.100R/L, RBI-40.100DR/L**). Используется в промышленных воротах всех типов монтажа.

Вес, кг/шт. 0,03
Единица измерения шт.
Норма поставки, шт. 200

Артикул	Код
SS-40.100	401200400



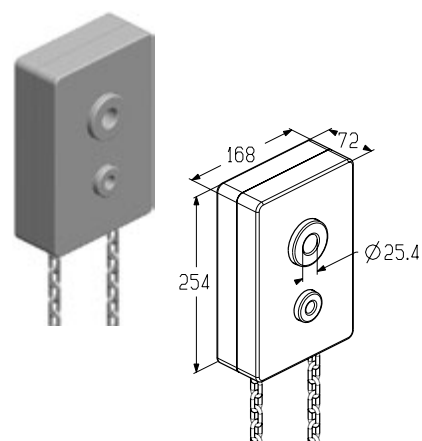
ДОПОЛНИТЕЛЬНАЯ КОМПЛЕКТАЦИЯ

Редуктор цепной

Предназначен для подъема/опускания полотна ворот. Используется в промышленных воротах всех типов монтажа.

Вес, кг/шт. 5
Единица измерения шт.
Норма поставки, шт. 1

Артикул	Код
CH0501	403900500

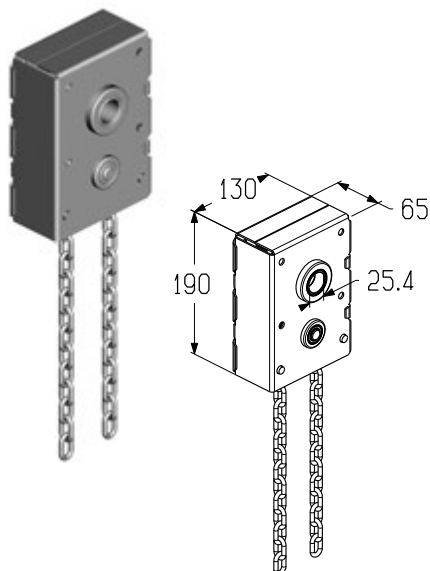


Редуктор цепной для гаражных ворот

Предназначен для подъема/опускания полотна ворот. Используется в гаражных воротах всех типов монтажа (кроме пружин растяжения).

Вес, кг 5,8
Единица измерения шт.
Норма поставки, шт. 1

Артикул	Код
CH-5013	403903000

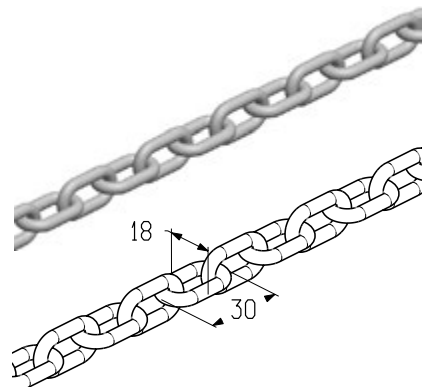


Цепь

Предназначена для удлинения цепи редуктора цепного (CH0501 и CH5013). Используется в промышленных и гаражных воротах всех типов монтажа.

Материал оцинкованная сталь
Вес, кг/м 0,5
Единица измерения м
Норма поставки, м 25

Артикул	Код
C0502G	418700130



Веревка

Предназначена для опускания полотна ворот. Используется в гаражных и промышленных воротах всех типов монтажа.

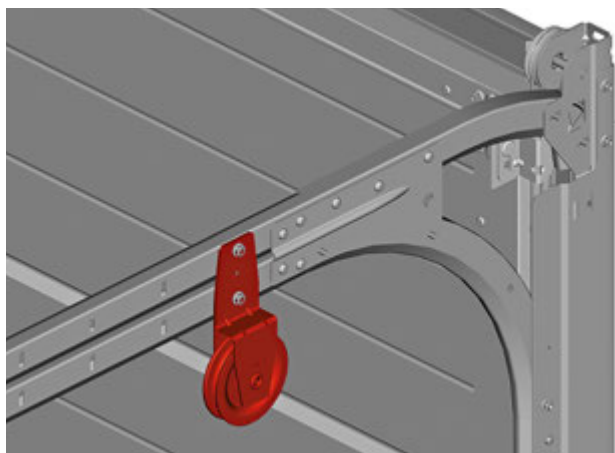
Вес, кг/м 0,04
 Единица измерения м
 Норма поставки, м 250



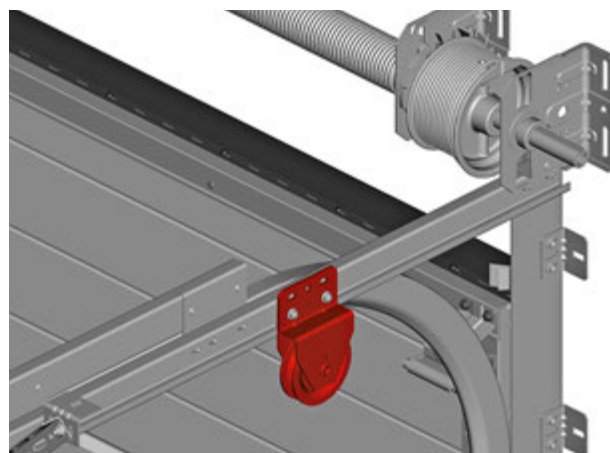
Артикул	Код
105610	4000607

УСТАНОВКА БЛОКА

Блок (НКУ-002) для гаражных ворот



Блок (НКУ001) для промышленных ворот



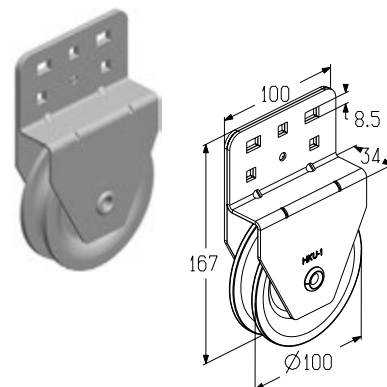
02

Блок

Предназначен для подъема/опускания полотна ворот. Используется в промышленных воротах всех типов монтажа.

Вес, кг/шт.	0,61
Единица измерения	шт.
Норма поставки, шт.	10

Артикул	Код
НКУ001	403900800

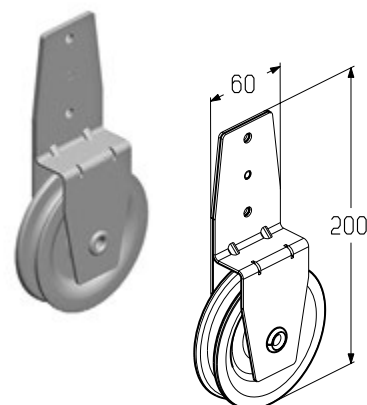


Блок

Предназначен для подъема/опускания полотна ворот. Используется в гаражных воротах с пружинами растяжения и торсионными пружинами всех типов монтажа.

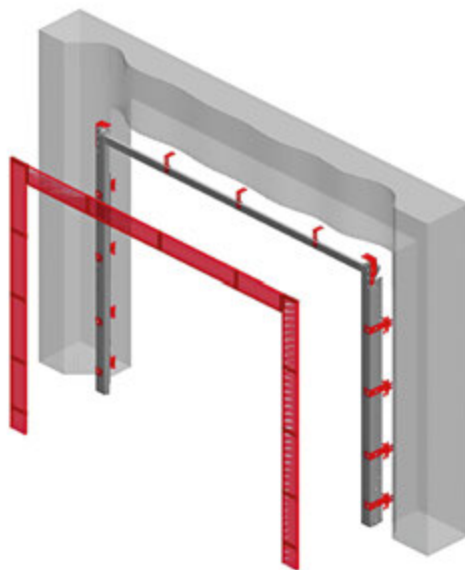
Вес, кг/шт.	0,5
Единица измерения	шт.
Норма поставки, шт.	54

Артикул	Код
НКУ-002	403902300



УСТАНОВКА КОМПЛЕКТА ВСТРОЕННОГО МОНТАЖА

(МОНТАЖ В ПРОЕМ)



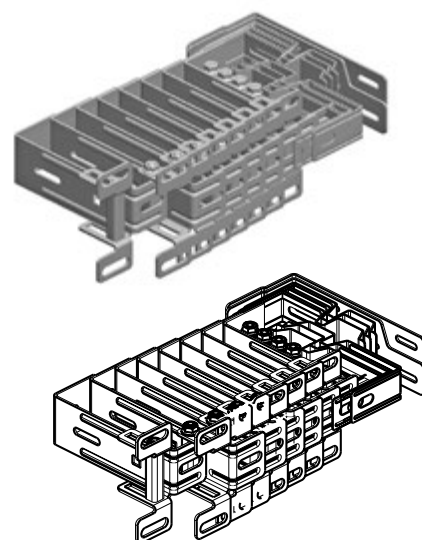
Комплект кронштейнов

Предназначен для крепления углового профиля (**PRG-30**) и профиля переднего (**PRG-35**) к проему. Входит в состав комплекта встроенного монтажа **FWO100/145-40** и **FWO145/145-40**. Используется в гаражных воротах с пружинами растяжения и торсионными пружинами низкого типа монтажа.

Состав комплекта:

- кронштейн профиля углового (**B-3510FWO**) — 8 шт.;
- кронштейн профиля углового (**B-3511FWOL**) — 1 шт.;
- кронштейн профиля углового (**B-3511FWOR**) — 1 шт.;
- кронштейн профиля переднего (**B-3512FWO**) — 3 шт. (монтаж перед проемом) или кронштейн профиля переднего (**B-3513FWO**) — 3 шт. (монтаж в проем).

Вес, кг/шт. 4,69
 Единица измерения шт.
 Норма поставки, шт. 1



Артикул	Код
FWO100/145B-40	402952300

ДОПОЛНИТЕЛЬНАЯ КОМПЛЕКТАЦИЯ

Комплект крепежный

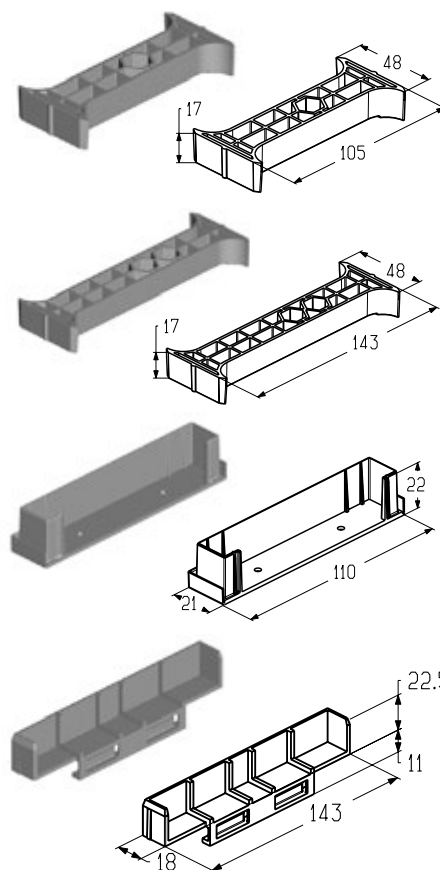
Предназначен для крепления комплекта нащельников (FWO100C) к угловому профилю (PRG-30).
Входит в состав комплекта встроенного монтажа FWO100/145-40. Используется в гаражных воротах с пружинами растяжения и торсионными пружинами низкого типа монтажа.

Состав комплекта:

- сухарь для крепления боковых нащельников (8 шт.);
- сухарь для крепления профиля переднего (4 шт.);
- заглушка для нащельников (4 шт.);
- заглушка для верхнего нащельника (2 шт.).

Вес, кг/шт. 0,529
Единица измерения шт.
Норма поставки, шт. 1

Артикул	Код
FWO100F	402950800



02

Комплект крепежный

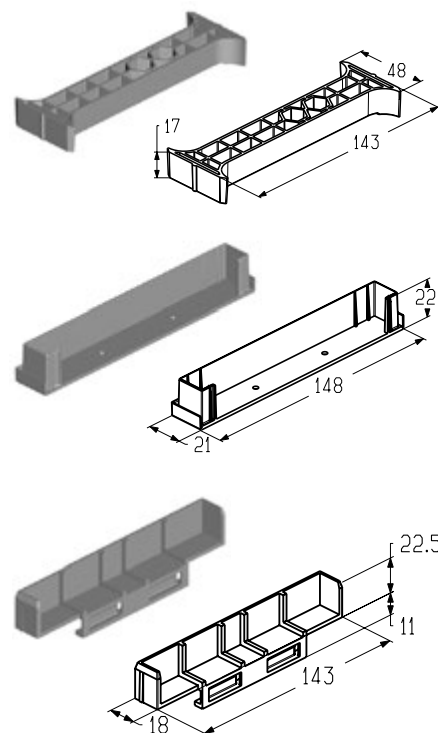
Предназначен для крепления комплекта нащельников (FWO145C) к угловому профилю (PRG-30).
Входит в состав комплекта встроенного монтажа FWO145/145-40. Используется в гаражных воротах с пружинами растяжения и торсионными пружинами низкого типа монтажа.

Состав комплекта:

- сухарь для крепления верхнего и боковых нащельников (12 шт.);
- заглушка для нащельников (4 шт.);
- заглушка для верхнего нащельника (2 шт.).

Вес, кг/шт. 0,584
Единица измерения шт.
Норма поставки, шт. 1

Артикул	Код
FWO145F	402951200



Комплект нащельников

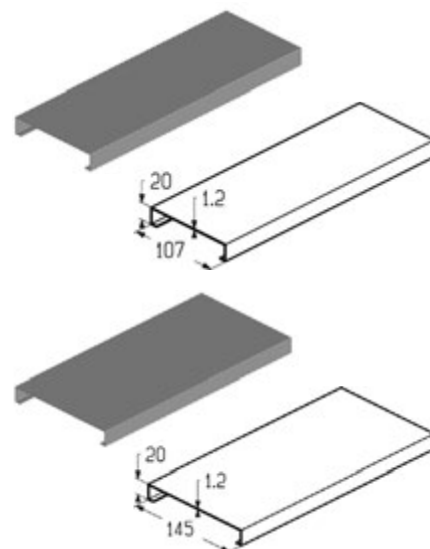
Предназначен для установки совместно с угловым профилем (**PRG-30**). Входит в состав комплекта встроенного монтажа **FWO100/145-40**. Используется в гаражных воротах с пружинами растяжения и торсионными пружинами низкого типа монтажа.

Состав комплекта:

- профиль воротный арт. **PRD33** (боковой нащельник 2 шт.);
- профиль воротный арт. **PRD34** (верхний нащельник 1 шт.).

Материал алюминий
 Покрытие полимерное
 Цвет RAL 9016, RAL 8014, RAL 8017, ADS703
 Единица измерения к-т
 Норма поставки, к-т 1

Артикул	Код
FWO100C	402950900



Комплект нащельников

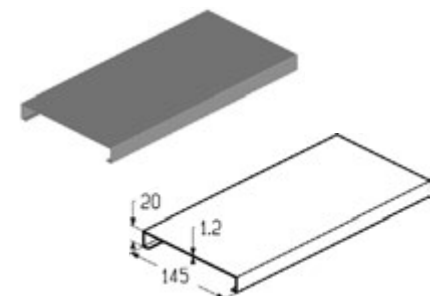
Предназначен для установки совместно с угловым профилем (**PRG-30**). Входит в состав комплекта встроенного монтажа **FWO145/145-40**. Используется в гаражных воротах с пружинами растяжения и торсионными пружинами низкого типа монтажа.

Состав комплекта:

- профиль воротный арт. **PRD34** (верхний нащельник 1 шт., боковой нащельник 2 шт.).

Материал алюминий
 Покрытие полимерное
 Цвет RAL 9016, RAL 8014, RAL 8017, ADS703
 Единица измерения к-т
 Норма поставки, к-т 1

Артикул	Код
FWO145C	402951300

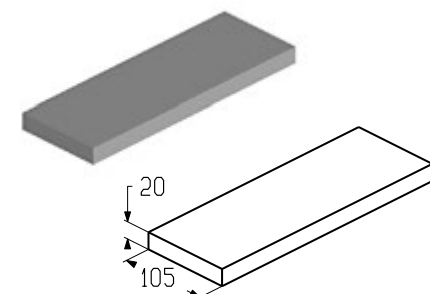


Утеплитель

Предназначен для установки совместно с комплектом нащельников (**FWO100C**).

Материал вспененный полиэтилен
 Вес, кг/м 0,07
 Единица измерения м
 Норма поставки, м 50

Артикул	Код
FWO100H	402951700



* Указанные цвета имеют близкое соответствие шкале RAL.

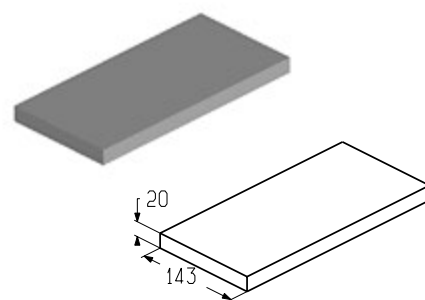
ДОПОЛНИТЕЛЬНАЯ КОМПЛЕКТАЦИЯ

Утеплитель

Предназначен для установки совместно с комплектом нащельников (FWO145C).

Материал вспененный полиэтилен
 Вес, кг/м 0,1
 Единица измерения м
 Норма поставки, м 50

Артикул	Код
FWO145H	402951800



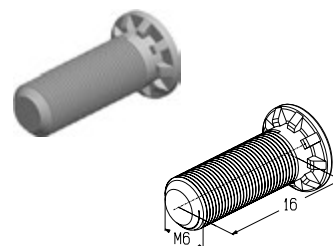


МЕТИЗЫ

МЕТИЗЫ

Болт М6×16

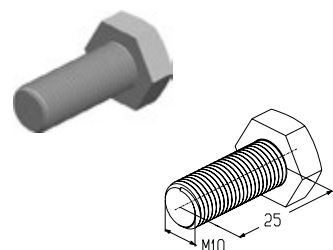
Резьба М6
 Длина, мм 16
 Материал оцинкованная сталь
 Вес, кг/шт. 0,007
 Единица измерения шт.
 Норма поставки, шт. 5000



Артикул	Код
M6x16BP	408320100

Болт М10×25

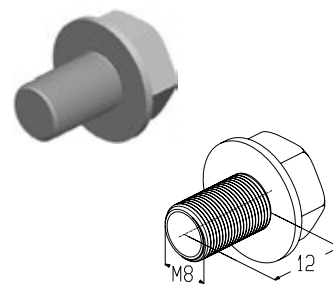
Резьба М10
 Длина, мм 25
 Материал оцинкованная сталь
 Вес, кг/шт. 0,025
 Единица измерения шт.
 Норма поставки, шт. 1000



Артикул	Код
M10x25B	408320200

Болт

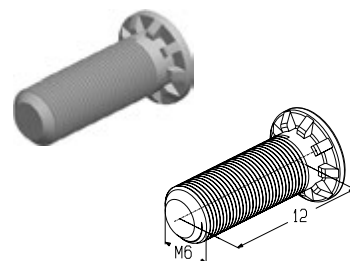
Резьба М8
 Длина, мм 12
 Материал оцинкованная сталь
 Вес, кг/шт. 0,01
 Единица измерения шт.
 Норма поставки, шт. 1800



Артикул	Код
M8x12B	408320300

Пресс-болт

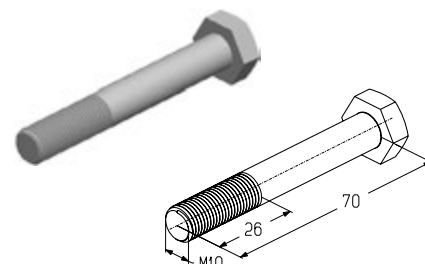
Резьба М6
 Длина, мм 12
 Материал оцинкованная сталь
 Вес, кг/шт. 0,024
 Единица измерения шт.
 Норма поставки, шт. 10000



Артикул	Код
M6x12BP	408320500

Болт

Резьба М10
 Длина, мм 70
 Материал оцинкованная сталь
 Вес, кг/шт. 0,05
 Единица измерения шт.
 Норма поставки, шт. 200

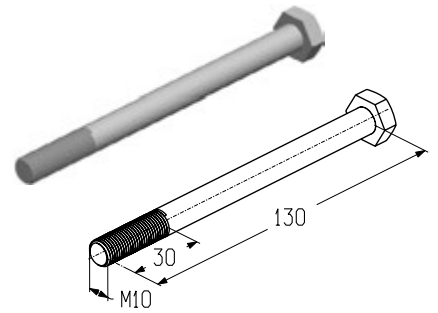


Артикул	Код
M10x70B	408320600

Болт М10×130

Резьба М10
 Длина, мм 130
 Материал оцинкованная сталь
 Вес, кг/шт. 0,04
 Единица измерения шт.
 Норма поставки, шт. 260

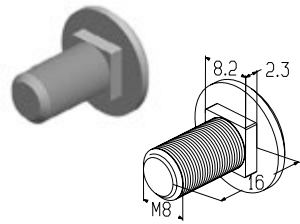
Артикул	Код
M10×130B	408320700



Болт М8×16

Резьба М8
 Длина, мм 16
 Материал оцинкованная сталь
 Вес, кг/шт. 0,006
 Единица измерения шт.
 Норма поставки, шт. 2500

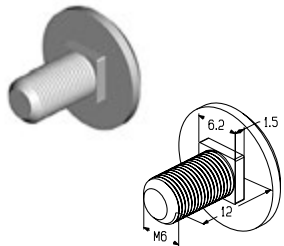
Артикул	Код
M8×16BKL	408320800



Болт

Резьба М6
 Длина, мм 12
 Материал оцинкованная сталь
 Вес, кг/шт. 0,008
 Единица измерения шт.
 Норма поставки, шт. 3000

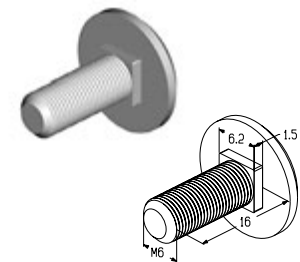
Артикул	Код
M6×12BKL	408321000



Болт

Резьба М6
 Длина, мм 16
 Материал оцинкованная сталь
 Вес, кг/шт. 0,006
 Единица измерения шт.
 Норма поставки, шт. 3500

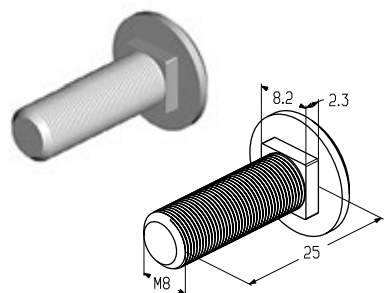
Артикул	Код
M6×16BKL	408310200



Болт

Резьба М8
 Длина, мм 25
 Материал оцинкованная сталь
 Вес, кг/шт. 0,01
 Единица измерения шт.
 Норма поставки, шт. 1500

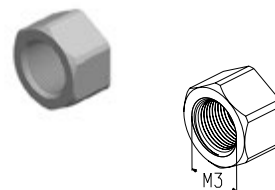
Артикул	Код
M8×25BKL	408310500



МЕТИЗЫ

Гайка

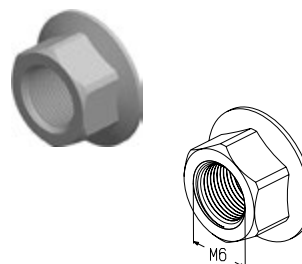
Резьба M3
 Материал оцинкованная сталь
 Вес, кг/шт. 0,0004
 Единица измерения шт.
 Норма поставки, шт. 1000



Артикул	Код
M3N	408120000

Гайка M6

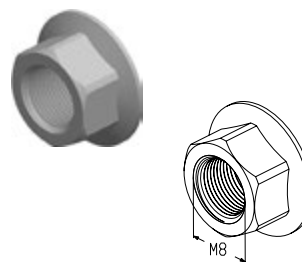
Резьба M6
 Материал оцинкованная сталь
 Вес, кг/шт. 0,003
 Единица измерения шт.
 Норма поставки, шт. 7000



Артикул	Код
M6N	408120100

Гайка M8

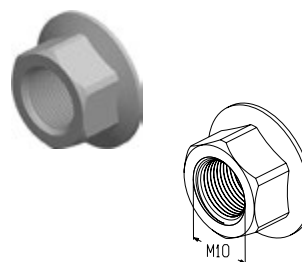
Резьба M8
 Материал оцинкованная сталь
 Вес, кг/шт. 0,007
 Единица измерения шт.
 Норма поставки, шт. 3500



Артикул	Код
M8N	408120200

Гайка M10

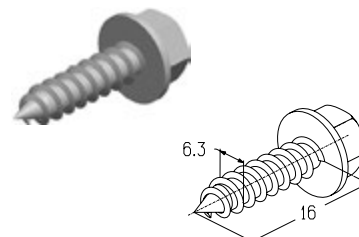
Резьба M10
 Материал оцинкованная сталь
 Вес, кг/шт. 0,013
 Единица измерения шт.
 Норма поставки, шт. 2000



Артикул	Код
M10N	408120300

Винт самонарезающий 6,3×16

Диаметр, мм 6,3
 Длина, мм 16
 Материал оцинкованная сталь с антикоррозийной химической
 конверсионной пленкой и термообработанным керамическим слоем
 Вес, кг/шт. 0,006
 Единица измерения шт.
 Норма поставки, шт. 3500

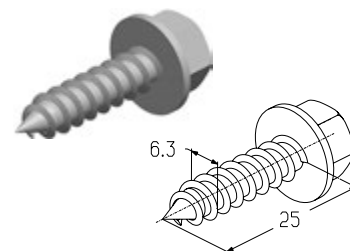


Артикул	Код
6,3×16S	408020100

Винт самонарезающий 6,3×25

Диаметр, мм	6,3
Длина, мм	25
Материал	нержавеющая сталь
Вес, кг/шт.	0,008
Единица измерения	шт.
Норма поставки, шт.	2000

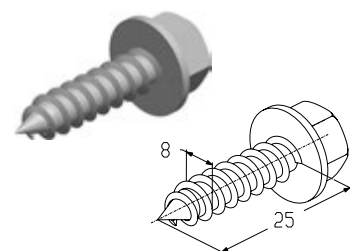
Артикул	Код
6,3×25S-SS	408010000



Винт самонарезающий

Диаметр, мм	8
Длина, мм	25
Материал	оцинкованная сталь
Вес, кг/шт.	0,0014
Единица измерения	шт.
Норма поставки, шт.	1000

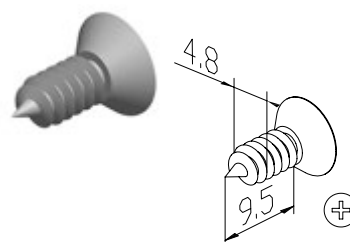
Артикул	Код
8×25S	408020200



Винт самонарезающий DIN7982

Диаметр, мм	4,8
Длина, мм	9,5
Материал	оцинкованная сталь
Вес, кг/шт.	0,25
Единица измерения	шт.
Норма поставки, шт.	13 000

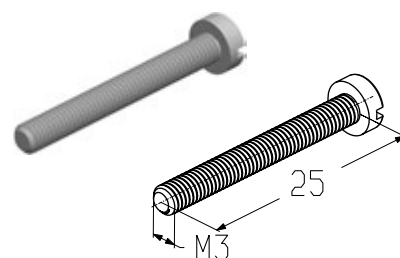
Артикул	Код
4,8×9,5SDX	408620000



Винт

Резьба	M3
Длина, мм	25
Материал	оцинкованная сталь
Вес, кг/шт.	0,001
Единица измерения	шт.
Норма поставки, шт.	2000

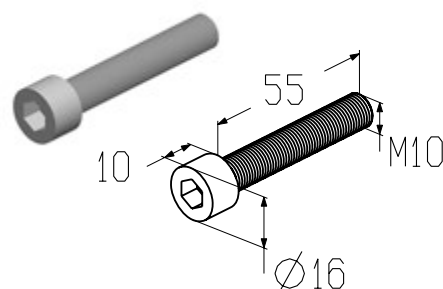
Артикул	Код
M3×25S	408020400



Винт DIN912

Резьба	M10
Длина, мм	55
Материал	оцинкованная сталь
Вес, кг/шт.	0,02
Единица измерения	шт.
Норма поставки, шт.	1000

Артикул	Код
M10×55SCOL	408020800

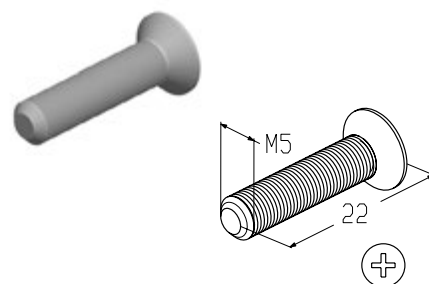


МЕТИЗЫ

Винт DIN965

Резьба	M5
Длина, мм	22
Материал	оцинкованная сталь
Вес, кг/шт.	0,003
Единица измерения	шт.
Норма поставки, шт.	800

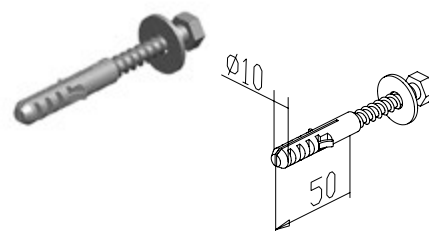
Артикул	Код
M5×22SDX	408020900



Дюбель

Диаметр, мм	10
Длина, мм	50
Материал	нейлон/оцинкованная сталь
Вес, кг/шт.	0,023
Единица измерения	шт.
Норма поставки, шт.	1000

Артикул	Код
10×50D	408800100

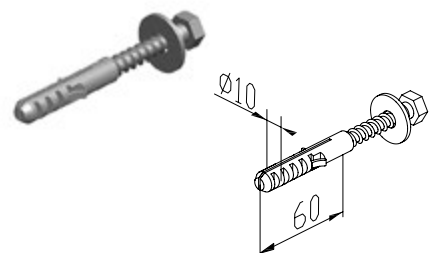


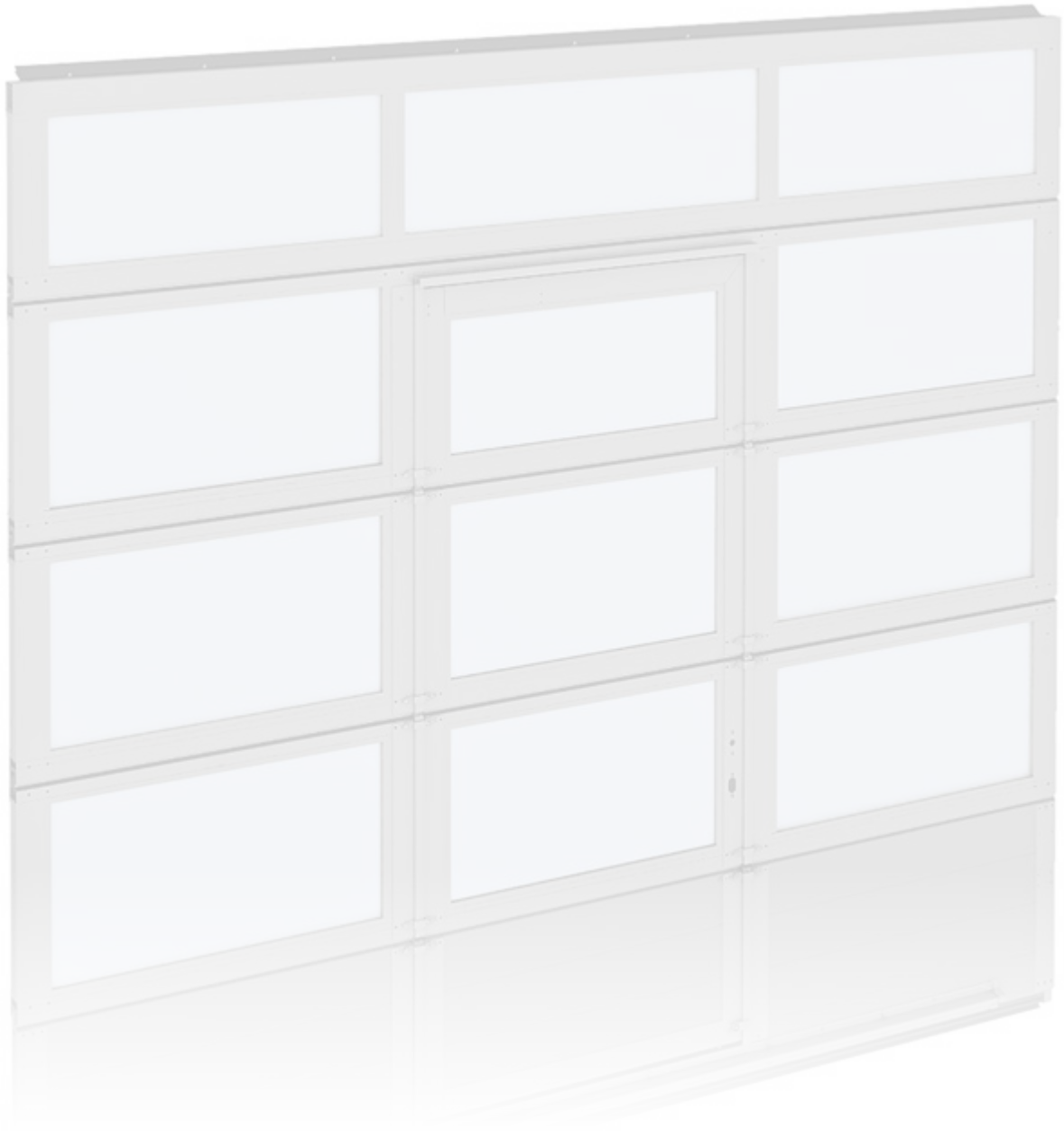
03

Дюбель

Диаметр, мм	10
Длина, мм	60
Материал	нейлон/оцинкованная сталь
Вес, кг/шт.	0,023
Единица измерения	шт.
Норма поставки, шт.	1000

Артикул	Код
SXR 10×60 FUS	408800600





РЕМОНТНЫЕ УЗЛЫ



ПРАВИЛА ПРИ ЗАКАЗЕ РЕМОНТНЫХ УЗЛОВ

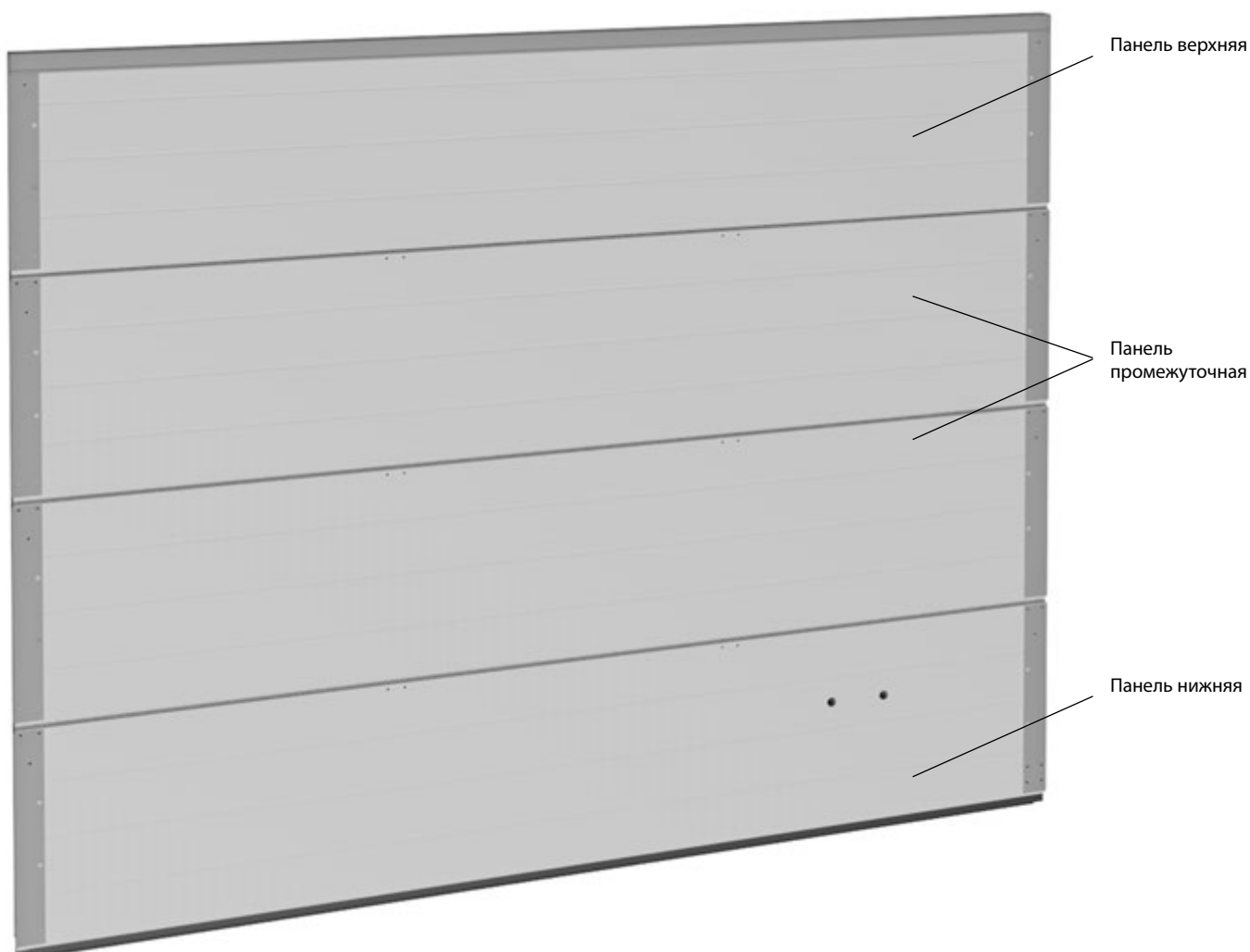
В данной части каталога размещена информация о типовых ремонтных узлах для секционных ворот. Ремонтный узел является индивидуальным изделием, т. к. заказывается для конкретных ворот. В каталоге представлен типовой состав каждого ремонтного узла, который может изменяться в зависимости от ворот, для которых он предназначен.

При заказе ремонтного узла необходимо указать:

1. Заводской номер ворот, указанный на табличке изделия.
2. Описание требуемого ремонтного узла.
3. Артикул и наименование ремонтного узла.

ТИПОВАЯ КОНСТРУКЦИЯ ПОЛОТНА ВОРОТ

БЕЗ КАЛИТКИ



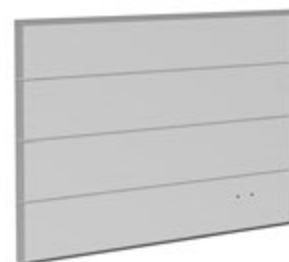
Полотно воротное

Тип ворот:

- гаражные ворота Trend с торсионными пружинами без калитки всех типов монтажа;
- гаражные ворота Trend с пружинами растяжения;
- промышленные ворота ProTrend без калитки всех типов монтажа.

Состав: сэндвич-панели с боковыми накладками, профиль усиливающий (при ширине ворот от 5 м), верхний и нижний концевой профиль, нижняя уплотнительная вставка, упоры нижние.

Единица измерения шт.



Артикул	Тип полотна	Цвет
GLG-3T	«Микроволна», «S-гофр»	RAL 9016, 8014, 9006, 5010, 1015, 3004, 6005, 8017, 7016*, ADS703
	«L-гофр»	RAL 9016, 8014, 7016*, ADS703
	«M-гофр»	RAL 9016, 8014, 7016*
	«S-гофр», «M-гофр» и «L-гофр»	Золотой дуб, Темный дуб, Вишня
	«Микроволна», «S-гофр», «M-гофр» и «L-гофр»	Другой цвет по каталогу RAL
GLG-4T	«Филенка»	RAL 9016, 8014*
		Золотой дуб, Темный дуб
		Другой цвет по каталогу RAL*

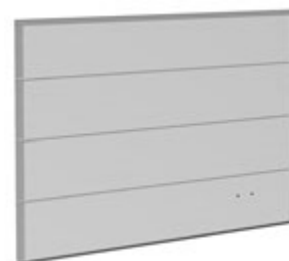
Полотно воротное (фасадная система)

Тип ворот:

- гаражные ворота Trend с торсионными пружинами без калитки всех типов монтажа;
- гаражные ворота Trend с пружинами растяжения;
- промышленные ворота ProTrend без калитки всех типов монтажа.

Состав: сэндвич-панели с боковыми накладками, профиль усиливающий (при ширине ворот от 5 м), верхний и нижний концевой профиль, нижняя уплотнительная вставка, упоры нижние.

Единица измерения шт.



Артикул	Тип полотна	Цвет
GLG-3T	«Микроволна», «S-гофр»	RAL 9016, 8014, 9006, 5010, 1015, 3004, 6005, 8017, 7016*, ADS703
	«L-гофр»	RAL 9016, 8014, 7016*, ADS703
	«M-гофр»	RAL 9016, 8014, 7016*
	«S-гофр», «M-гофр» и «L-гофр»	Золотой дуб, Темный дуб, Вишня
	«Микроволна», «S-гофр», «M-гофр» и «L-гофр»	Другой цвет по каталогу RAL

* Указанные цвета имеют близкое соответствие шкале RAL.

ПОЛОТНО ВОРОТ БЕЗ КАЛИТКИ

Панель нижняя

Тип ворот:

- гаражные ворота Trend с торсионными пружинами без калитки всех типов монтажа;
- гаражные ворота Trend с пружинами растяжения;
- промышленные ворота ProTrend без калитки всех типов монтажа.

Состав: нижняя сэндвич-панель с боковыми накладками, профиль усиливающий (при ширине ворот от 5 м), нижний концевой профиль, нижняя уплотнительная вставка, упоры нижние.

Единица измерения шт.



Артикул	Тип полотна	Цвет
LPU-27T	«Микроволна», «S-гофр»	RAL 9016, 8014, 9006, 5010, 1015, 3004, 6005, 8017, 7016*, ADS703
	«L-гофр»	RAL 9016, 8014, 7016*, ADS703
	«M-гофр»	RAL 9016, 8014, 7016*
	«S-гофр», «M-гофр» и «L-гофр»	Золотой дуб, Темный дуб, Вишня
	«Микроволна», «S-гофр», «M-гофр» и «L-гофр»	Другой цвет по каталогу RAL
LPF-1T	«Филенка»	RAL 9016, 8014*
		Золотой дуб, Темный дуб
		Другой цвет по каталогу RAL*

04

Панель нижняя (фасадная система)

Тип ворот:

- гаражные ворота Trend с торсионными пружинами без калитки всех типов монтажа;
- гаражные ворота Trend с пружинами растяжения;
- промышленные ворота ProTrend без калитки всех типов монтажа.

Состав: нижняя сэндвич-панель с боковыми накладками, профиль усиливающий (при ширине ворот от 5 м), нижний концевой профиль, нижняя уплотнительная вставка, упоры нижние.

Единица измерения шт.



Артикул	Тип полотна	Цвет
LPU-27T	«Микроволна», «S-гофр»	RAL 9016, 8014, 9006, 5010, 1015, 3004, 6005, 8017, 7016*, ADS703
	«L-гофр»	RAL 9016, 8014, 7016*, ADS703
	«M-гофр»	RAL 9016, 8014, 7016*
	«S-гофр», «M-гофр» и «L-гофр»	Золотой дуб, Темный дуб, Вишня
	«Микроволна», «S-гофр», «M-гофр» и «L-гофр»	Другой цвет по каталогу RAL

* Указанные цвета имеют близкое соответствие шкале RAL.

Панель промежуточная

Тип ворот:

- гаражные ворота Trend с торсионными пружинами без калитки всех типов монтажа;
- гаражные ворота Trend с пружинами растяжения;
- промышленные ворота ProTrend без калитки всех типов монтажа.

Состав: промежуточная сэндвич-панель с боковыми накладками, профиль усиливающий (при ширине ворот от 5 м).

Единица измерения шт.



Артикул	Тип полотна	Цвет
LPU-28T	«Микроволна», «S-гофр»	RAL 9016, 8014, 9006, 5010, 1015, 3004, 6005, 8017, 7016*, ADS703
	«L-гофр»	RAL 9016, 8014, 7016*, ADS703
	«M-гофр»	RAL 9016, 8014, 7016*
	«S-гофр», «M-гофр» и «L-гофр»	Золотой дуб, Темный дуб, Вишня
	«Микроволна», «S-гофр», «M-гофр» и «L-гофр»	Другой цвет по каталогу RAL
LPF-2T	«Филенка»	RAL 9016, 8014*
		Золотой дуб, Темный дуб
		Другой цвет по каталогу RAL*

Панель верхняя

Тип ворот:

- гаражные ворота Trend с торсионными пружинами без калитки всех типов монтажа;
- гаражные ворота Trend с пружинами растяжения;
- промышленные ворота ProTrend без калитки всех типов монтажа.

Состав: верхняя сэндвич-панель с боковыми накладками, профиль усиливающий (при ширине ворот от 5 м), верхний концевой профиль, верхний уплотнитель (Trend высокий тип монтажа, ProTrend).

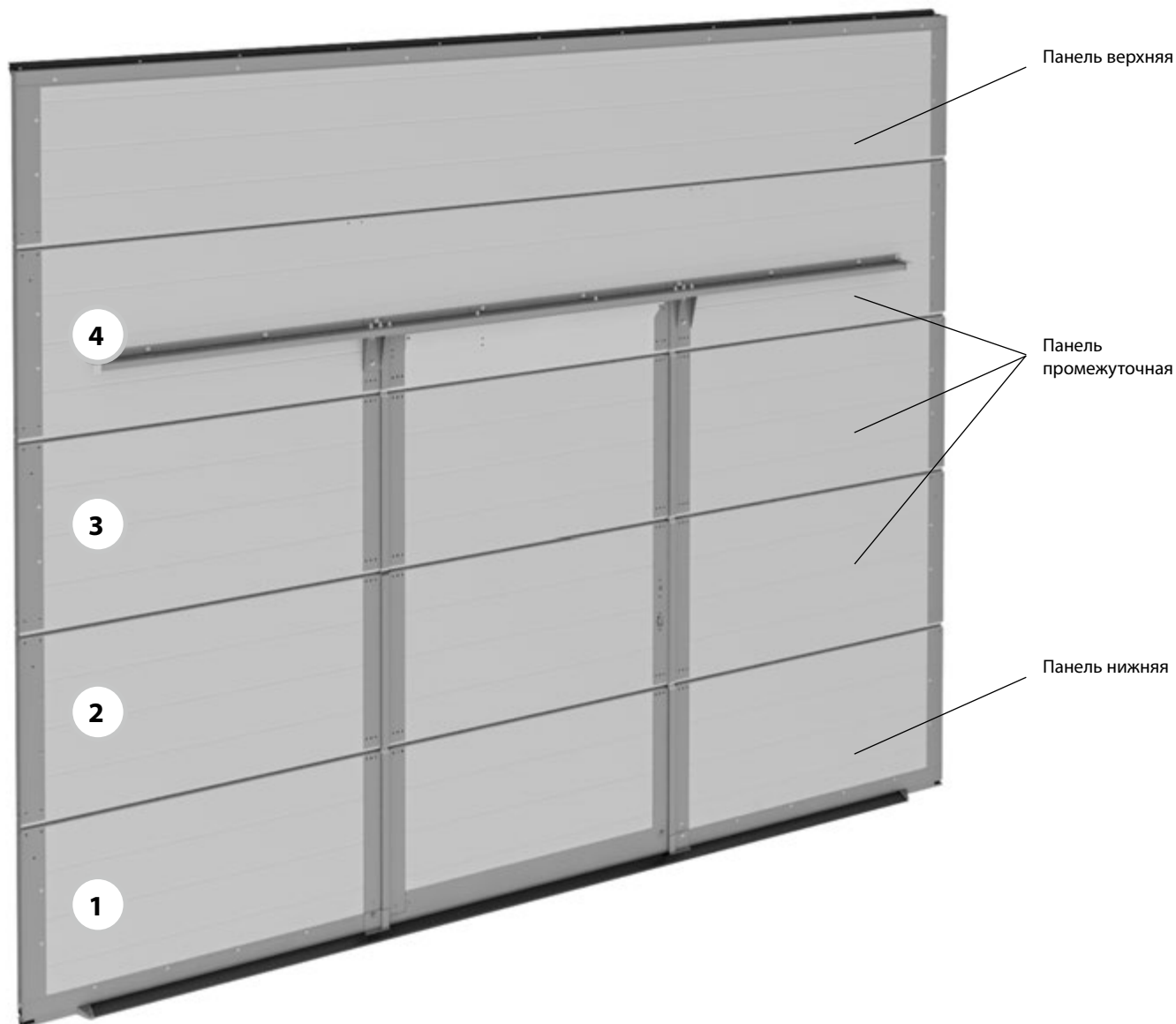
Единица измерения шт.



Артикул	Тип полотна	Цвет
LPU-29T	«Микроволна», «S-гофр»	RAL 9016, 8014, 9006, 5010, 1015, 3004, 6005, 8017, 7016*, ADS703
	«L-гофр»	RAL 9016, 8014, 7016*, ADS703
	«M-гофр»	RAL 9016, 8014, 7016*
	«S-гофр», «M-гофр» и «L-гофр»	Золотой дуб, Темный дуб, Вишня
	«Микроволна», «S-гофр», «M-гофр» и «L-гофр»	Другой цвет по каталогу RAL
LPF-3T	«Филенка»	RAL 9016, 8014*
		Золотой дуб, Темный дуб
		Другой цвет по каталогу RAL*

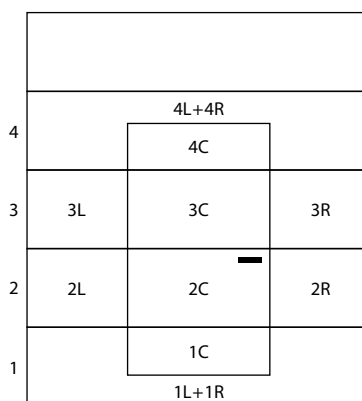
* Указанные цвета имеют близкое соответствие шкале RAL.

ТИПОВАЯ КОНСТРУКЦИЯ ПОЛОТНА ВОРОТ СО ВСТРОЕННОЙ КАЛИТКОЙ
(НА ПРИМЕРЕ КАЛИТКИ С ПЛОСКИМ ПОРОГОМ С ПРАВЫМ ОТКРЫВАНИЕМ)

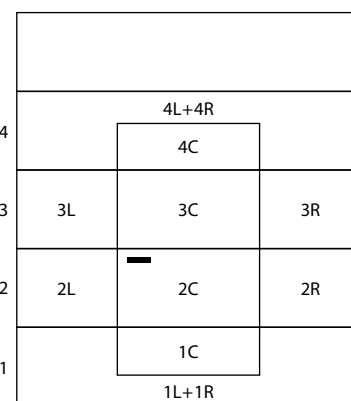


04

Схематическое изображение калитки с правым исполнением



Схематическое изображение калитки с левым исполнением



при взгляде изнутри

Полотно воротное

Тип ворот:

- гаражные ворота Trend с торсионными пружинами всех типов монтажа;
- промышленные ворота ProTrend всех типов монтажа.

Тип калитки:

- с плоским порогом 18 мм;
- с низким порогом 100 мм,
- со стандартным порогом 145 мм.

Состав: сэндвич-панели с боковыми накладками, верхний и нижний концевые профили, нижняя уплотнительная вставка, верхняя уплотнительная вставка (Trend высокий тип монтажа, ProTrend) комплект калиточных профилей и замок калитки, усиливающие профили калитки, упоры нижние. Комплект ручек и цилиндрический механизм, доводчик и тяга доводчика в ремонтный узел не входят.

Единица измерения шт.

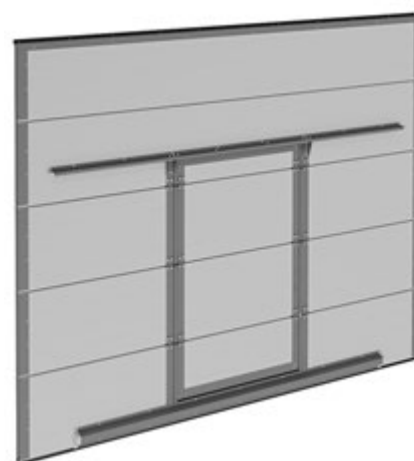
Артикул	Тип полотна	Цвет	Применение
GLG-1T	«Микроволна», «S-гофр»	RAL 9016, 8014, 9006, 5010, 1015, 3004, 6005, 8017, 7016*, ADS703	Для ворот с правой калиткой
	«L-гофр»	RAL 9016, 8014, 7016*, ADS703	
	«S-гофр», «M-гофр» и «L-гофр»	Золотой дуб, Темный дуб, Вишня	
	«Микроволна», «S-гофр», «M-гофр» и «L-гофр»	Другой цвет по каталогу RAL	
GLG-2T	«Микроволна», «S-гофр»	RAL 9016, 8014, 9006, 5010, 1015, 3004, 6005, 8017, 7016*, ADS703	Для ворот с левой калиткой
	«M-гофр»	RAL 9016, 8014, 7016*	
	«S-гофр», «M-гофр» и «L-гофр»	Золотой дуб, Темный дуб, Вишня	
	«Микроволна», «S-гофр», «M-гофр» и «L-гофр»	Другой цвет по каталогу RAL	



Калитка с плоским порогом
18 мм



Калитка с низким порогом
100 мм



Калитка со стандартным порогом
145 мм

* Указанные цвета имеют близкое соответствие шкале RAL.

ПОЛОТНО ВОРОТ С КАЛИТКОЙ

Панель нижняя

Тип ворот:

- гаражные ворота Trend с торсионными пружинами всех типов монтажа;
- промышленные ворота ProTrend всех типов монтажа.

Тип калитки:

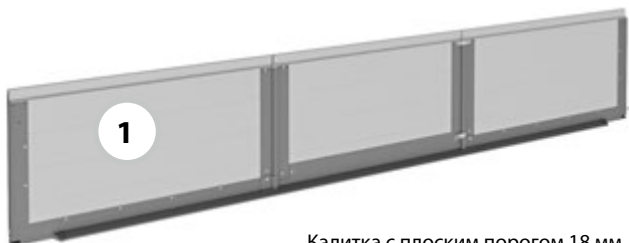
- с плоским порогом 18 мм;
- с низким порогом 100 мм;
- со стандартным порогом 145 мм.

Состав: нижняя сэндвич-панель с боковыми накладками, нижний концевой профиль, нижняя уплотнительная вставка, комплект калиточных профилей для нижней панели, нижний усиливающий профиль калитки, упоры нижние, контакт калитки.

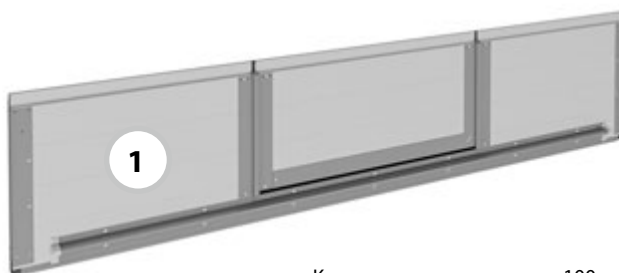
Единица измерения шт.

Артикул	Тип полотна	Цвет	Применение
LPU-1T	«Микроволна», «S-гофр», «M-гофр» и «L-гофр»	RAL 9016, 8014, 9006, 5010, 1015, 3004, 6005, 8017, 7016*, ADS703	Для ворот с правой калиткой
	«L-гофр»	RAL 9016, 8014, 7016*, ADS703	
	«S-гофр», «M-гофр» и «L-гофр»	Золотой дуб, Темный дуб, Вишня	
	«Микроволна», «S-гофр», «M-гофр» и «L-гофр»	Другой цвет по каталогу RAL	
LPU-15T	«Микроволна», «S-гофр»	RAL 9016, 8014, 9006, 5010, 1015, 3004, 6005, 8017, 7016*, ADS703	Для ворот с левой калиткой
	«M-гофр»	RAL 9016, 8014, 7016*	
	«S-гофр», «M-гофр» и «L-гофр»	Золотой дуб, Темный дуб, Вишня	
	«Микроволна», «S-гофр», «M-гофр» и «L-гофр»	Другой цвет по каталогу RAL	

04



Калитка с плоским порогом 18 мм



Калитка с низким порогом 100 мм



Калитка со стандартным порогом 145 мм

* Указанные цвета имеют близкое соответствие шкале RAL.

Панель нижняя

Тип ворот:

- гаражные ворота Trend с торсионными пружинами всех типов монтажа;
- промышленные ворота ProTrend всех типов монтажа.

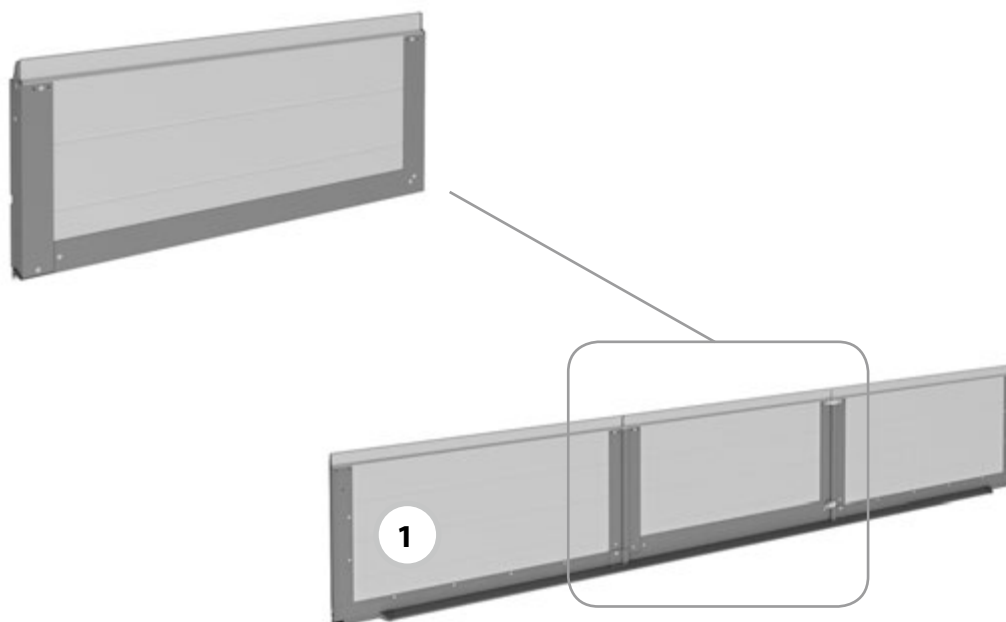
Тип калитки:

- с плоским порогом 18 мм;
- с низким порогом 100 мм;
- со стандартным порогом 145 мм.

Состав: нижняя панель калитки (центральная часть) с установленными профилями калитки.

Единица измерения шт.

Артикул	Тип полотна	Цвет	Применение
LPU-3T	«Микроволна», «S-гофр», «M-гофр» и «L-гофр»	RAL 9016, 8014, 9006, 5010, 1015, 3004, 6005, 8017, 7016*, ADS703	Для ворот с правой калиткой
	«L-гофр»	RAL 9016, 8014, 7016*, ADS703	
	«S-гофр», «M-гофр» и «L-гофр»	Золотой дуб, Темный дуб, Вишня	
	«Микроволна», «S-гофр», «M-гофр» и «L-гофр»	Другой цвет по каталогу RAL	
LPU-17T	«Микроволна», «S-гофр»	RAL 9016, 8014, 9006, 5010, 1015, 3004, 6005, 8017, 7016*, ADS703	Для ворот с левой калиткой
	«M-гофр»	RAL 9016, 8014, 7016*	
	«S-гофр», «M-гофр» и «L-гофр»	Золотой дуб, Темный дуб, Вишня	
	«Микроволна», «S-гофр», «M-гофр» и «L-гофр»	Другой цвет по каталогу RAL	



* Указанные цвета имеют близкое соответствие шкале RAL.

ПОЛОТНО ВОРОТ С КАЛИТКОЙ

Панель промежуточная

Тип ворот:

- гаражные ворота Trend с торсионными пружинами всех типов монтажа;
- промышленные ворота ProTrend всех типов монтажа.

Тип калитки:

- с плоским порогом 18 мм;
- с низким порогом 100 мм;
- со стандартным порогом 145 мм.

Состав: Вторая промежуточная калиточная панель с установленными калиточными профилями и уплотнителями, замок калитки (корпус, планка ригеля, ригель). Комплект ручек и цилиндрический механизм в ремонтный узел не входят.

Единица измерения шт.

Артикул	Тип полотна	Цвет	Применение
LPU-31T	«Микроволна», «S-гофр», «M-гофр» и «L-гофр»	RAL 9016, 8014, 9006, 5010, 1015, 3004, 6005, 8017, 7016*, ADS703	Для ворот с правой калиткой
	«L-гофр»	RAL 9016, 8014, 7016*, ADS703	
	«S-гофр», «M-гофр» и «L-гофр»	Золотой дуб, Темный дуб, Вишня	
	«Микроволна», «S-гофр», «M-гофр» и «L-гофр»	Другой цвет по каталогу RAL	
LPU-41T	«Микроволна», «S-гофр»	RAL 9016, 8014, 9006, 5010, 1015, 3004, 6005, 8017, 7016*, ADS703	Для ворот с левой калиткой
	«M-гофр»	RAL 9016, 8014, 7016*	
	«S-гофр», «M-гофр» и «L-гофр»	Золотой дуб, Темный дуб, Вишня	
	«Микроволна», «S-гофр», «M-гофр» и «L-гофр»	Другой цвет по каталогу RAL	

W1, W2 — ширина боковой секции в панели с калиткой, м



* Указанные цвета имеют близкое соответствие шкале RAL.

Панель промежуточная

Тип ворот:

- гаражные ворота Trend с торсионными пружинами всех типов монтажа;
- промышленные ворота ProTrend всех типов монтажа.

Тип калитки:

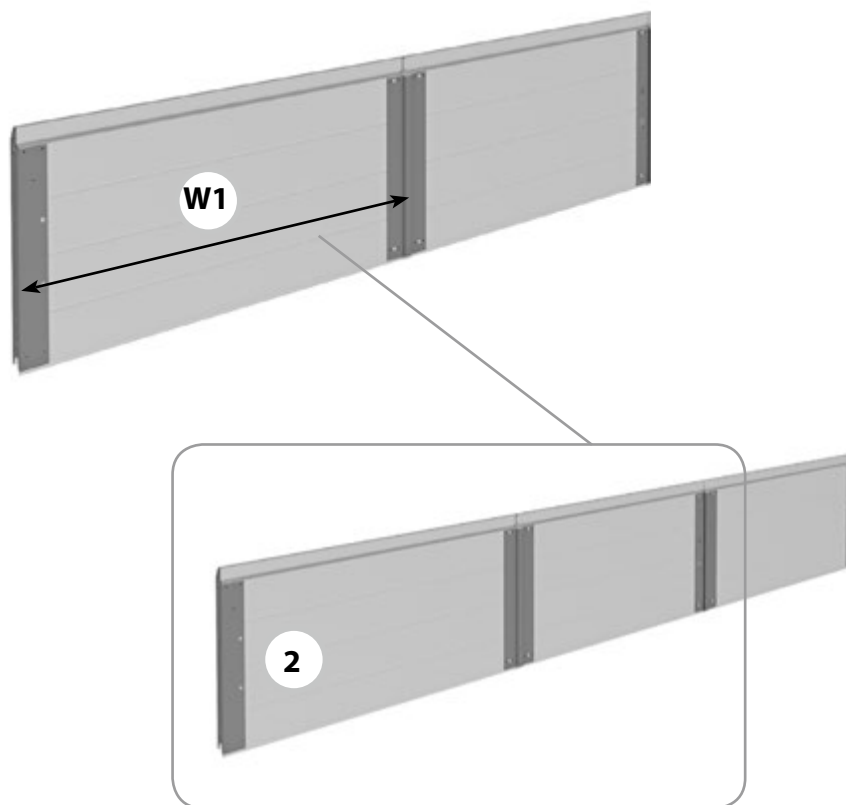
- с плоским порогом 18 мм;
- с низким порогом 100 мм;
- со стандартным порогом 145 мм.

Состав: две промежуточные панели калитки с установленными калиточными профилями и уплотнителями, замок калитки (корпус, ригель). Комплект ручек и цилиндрический механизм в ремонтный узел не входят.

Единица измерения шт.

Артикул	Тип полотна	Цвет	Применение
LPU-5T	«Микроволна», «S-гофр», «M-гофр» и «L-гофр»	RAL 9016, 8014, 9006, 5010, 1015, 3004, 6005, 8017, 7016*, ADS703	Для ворот с правой калиткой
	«L-гофр»	RAL 9016, 8014, 7016*, ADS703	
	«S-гофр», «M-гофр» и «L-гофр»	Золотой дуб, Темный дуб, Вишня	
	«Микроволна», «S-гофр», «M-гофр» и «L-гофр»	Другой цвет по каталогу RAL	
LPU-19T	«Микроволна», «S-гофр»	RAL 9016, 8014, 9006, 5010, 1015, 3004, 6005, 8017, 7016*, ADS703	Для ворот с левой калиткой
	«M-гофр»	RAL 9016, 8014, 7016*	
	«S-гофр», «M-гофр» и «L-гофр»	Золотой дуб, Темный дуб, Вишня	
	«Микроволна», «S-гофр», «M-гофр» и «L-гофр»	Другой цвет по каталогу RAL	

W1 — ширина боковой секции в панели с калиткой, м



* Указанные цвета имеют близкое соответствие шкале RAL.

ПОЛОТНО ВОРОТ С КАЛИТКОЙ

Панель промежуточная

Тип ворот:

- гаражные ворота Trend с торсионными пружинами всех типов монтажа;
- промышленные ворота ProTrend всех типов монтажа.

Тип калитки:

- с плоским порогом 18 мм;
- с низким порогом 100 мм;
- со стандартным порогом 145 мм.

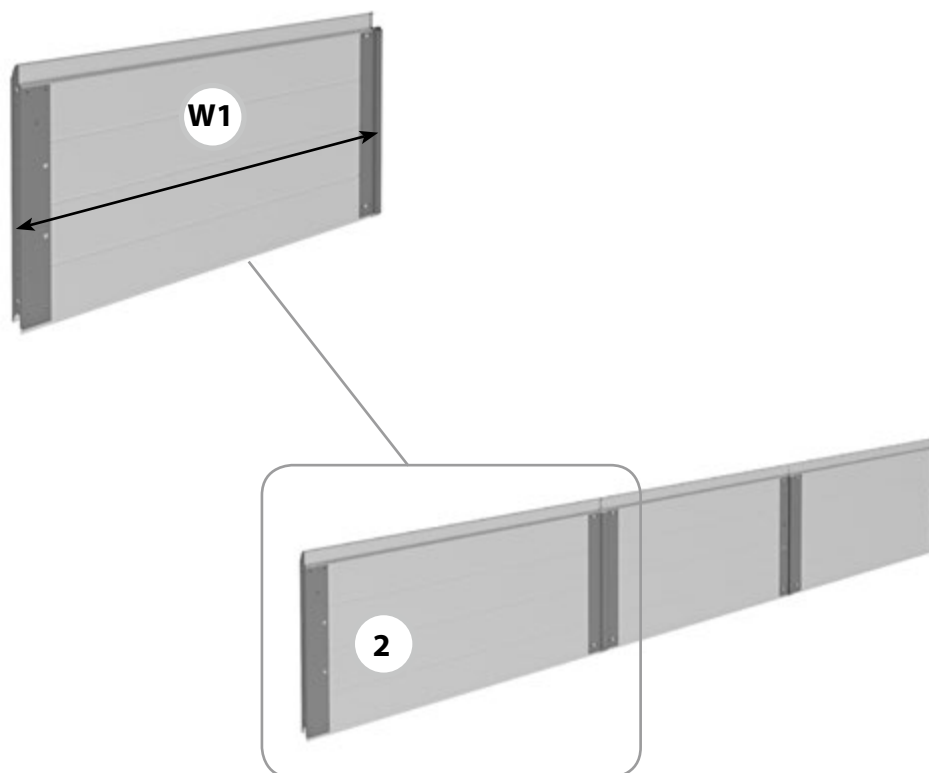
Состав: промежуточная панель калитки (боковая часть) с установленными калиточными профилями.

Единица измерения шт.

Артикул	Тип полотна	Цвет	Применение
LPU-6T	«Микроволна», «S-гофр», «M-гофр» и «L-гофр»	RAL 9016, 8014, 9006, 5010, 1015, 3004, 6005, 8017, 7016*, ADS703	Для ворот с правой калиткой
	«L-гофр»	RAL 9016, 8014, 7016*, ADS703	
	«S-гофр», «M-гофр» и «L-гофр»	Золотой дуб, Темный дуб, Вишня	
	«Микроволна», «S-гофр», «M-гофр» и «L-гофр»	Другой цвет по каталогу RAL	
LPU-20T	«Микроволна», «S-гофр»	RAL 9016, 8014, 9006, 5010, 1015, 3004, 6005, 8017, 7016*, ADS703	Для ворот с левой калиткой
	«M-гофр»	RAL 9016, 8014, 7016*	
	«S-гофр», «M-гофр» и «L-гофр»	Золотой дуб, Темный дуб, Вишня	
	«Микроволна», «S-гофр», «M-гофр» и «L-гофр»	Другой цвет по каталогу RAL	

04

W1 — ширина боковой секции в панели с калиткой, м



* Указанные цвета имеют близкое соответствие шкале RAL.

Панель промежуточная

Тип ворот:

- гаражные ворота Trend с торсионными пружинами всех типов монтажа;
- промышленные ворота ProTrend всех типов монтажа.

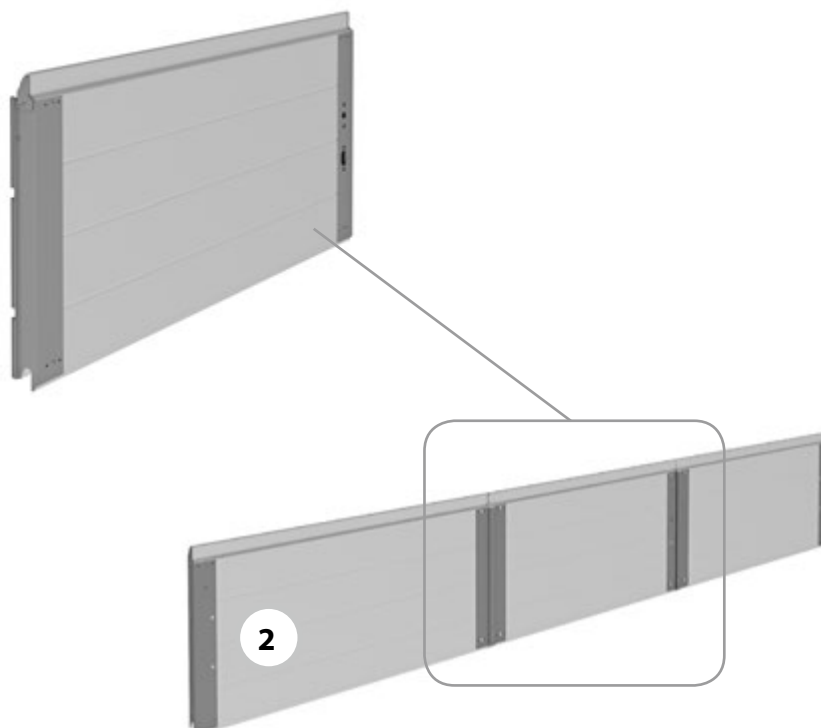
Тип калитки:

- с плоским порогом 18 мм;
- с низким порогом 100 мм;
- со стандартным порогом 145 мм.

Состав: промежуточная панель калитки (центральная часть) с установленными калиточными профилями, замок калитки (корпус, ригель).

Единица измерения шт.

Артикул	Тип полотна	Цвет	Применение
LPU-7T	«Микроволна», «S-гофр», «M-гофр» и «L-гофр»	RAL 9016, 8014, 9006, 5010, 1015, 3004, 6005, 8017, 7016*, ADS703	Для ворот с правой калиткой
	«L-гофр»	RAL 9016, 8014, 7016*, ADS703	
	«S-гофр», «M-гофр» и «L-гофр»	Золотой дуб, Темный дуб, Вишня	
	«Микроволна», «S-гофр», «M-гофр» и «L-гофр»	Другой цвет по каталогу RAL	
LPU-21T	«Микроволна», «S-гофр»	RAL 9016, 8014, 9006, 5010, 1015, 3004, 6005, 8017, 7016*, ADS703	Для ворот с левой калиткой
	«M-гофр»	RAL 9016, 8014, 7016*	
	«S-гофр», «M-гофр» и «L-гофр»	Золотой дуб, Темный дуб, Вишня	
	«Микроволна», «S-гофр», «M-гофр» и «L-гофр»	Другой цвет по каталогу RAL	



* Указанные цвета имеют близкое соответствие шкале RAL.

ПОЛОТНО ВОРОТ С КАЛИТКОЙ

Панель промежуточная

Тип ворот:

- гаражные ворота Trend с торсионными пружинами всех типов монтажа;
- промышленные ворота ProTrend всех типов монтажа.

Тип калитки:

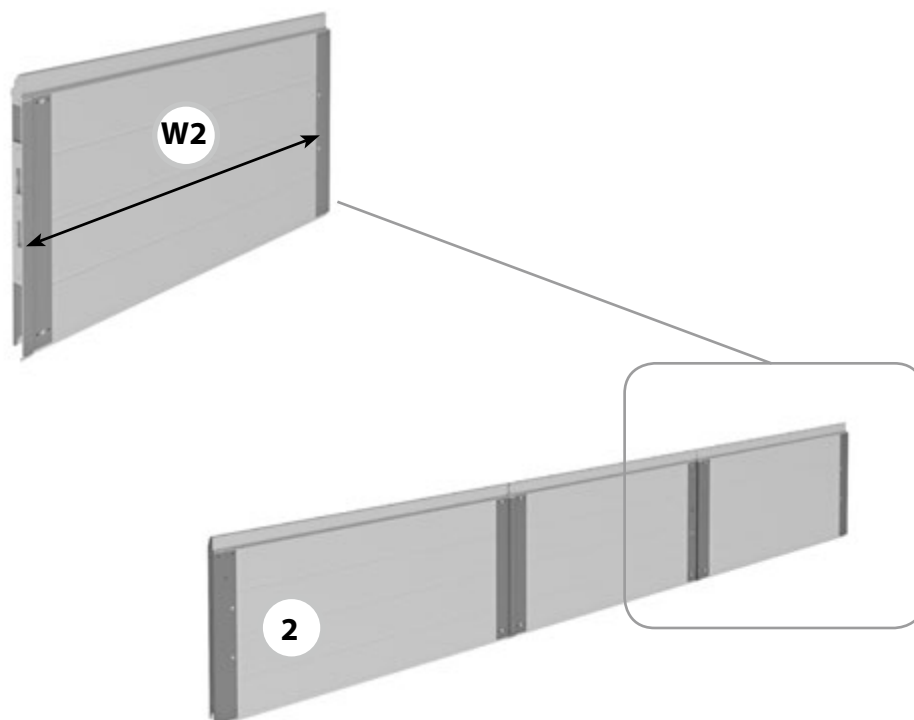
- с плоским порогом 18 мм;
- с низким порогом 100 мм;
- со стандартным порогом 145 мм.

Состав: промежуточная панель калитки (боковая часть) с установленными калиточными профилями, планка ригеля.

Единица измерения шт.

Артикул	Тип полотна	Цвет	Применение
LPU-8T	«Микроволна», «S-гофр», «М-гофр» и «L-гофр»	RAL 9016, 8014, 9006, 5010, 1015, 3004, 6005, 8017, 7016*, ADS703	Для ворот с правой калиткой
	«L-гофр»	RAL 9016, 8014, 7016*, ADS703	
	«S-гофр», «М-гофр» и «L-гофр»	Золотой дуб, Темный дуб, Вишня	
	«Микроволна», «S-гофр», «М-гофр» и «L-гофр»	Другой цвет по каталогу RAL	
LPU-22T	«Микроволна», «S-гофр»	RAL 9016, 8014, 9006, 5010, 1015, 3004, 6005, 8017, 7016*, ADS703	Для ворот с левой калиткой
	«М-гофр»	RAL 9016, 8014, 7016*	
	«S-гофр», «М-гофр» и «L-гофр»	Золотой дуб, Темный дуб, Вишня	
	«Микроволна», «S-гофр», «М-гофр» и «L-гофр»	Другой цвет по каталогу RAL	

W2 — ширина боковой секции в панели с калиткой, м



* Указанные цвета имеют близкое соответствие шкале RAL.

Панель промежуточная

Тип ворот:

- гаражные ворота Trend с торсионными пружинами всех типов монтажа;
- промышленные ворота ProTrend всех типов монтажа.

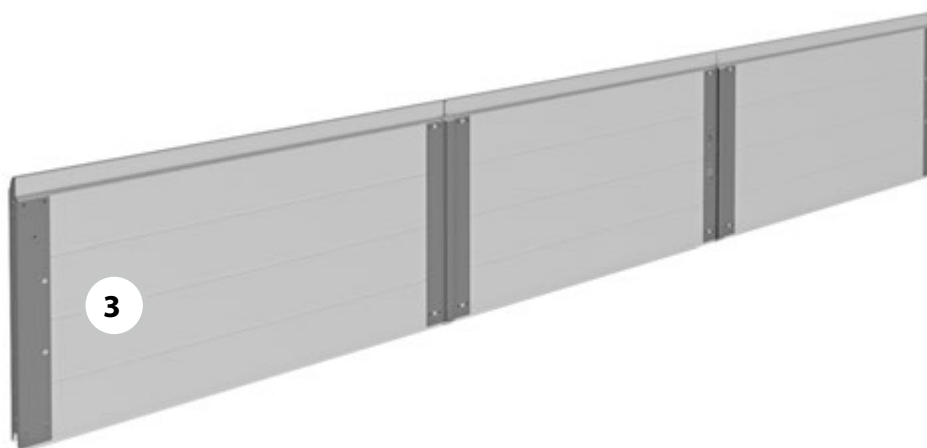
Тип калитки:

- с плоским порогом 18 мм;
- с низким порогом 100 мм;
- со стандартным порогом 145 мм.

Состав: промежуточная калиточная панель с установленными калиточными профилями.

Единица измерения шт.

Артикул	Тип полотна	Цвет	Применение
LPU-32T	«Микроволна», «S-гофр», «M-гофр» и «L-гофр»	RAL 9016, 8014, 9006, 5010, 1015, 3004, 6005, 8017, 7016*, ADS703	Для ворот с правой калиткой
	«L-гофр»	RAL 9016, 8014, 7016*, ADS703	
	«S-гофр», «M-гофр» и «L-гофр»	Золотой дуб, Темный дуб, Вишня	
	«Микроволна», «S-гофр», «M-гофр» и «L-гофр»	Другой цвет по каталогу RAL	
LPU-42T	«Микроволна», «S-гофр»	RAL 9016, 8014, 9006, 5010, 1015, 3004, 6005, 8017, 7016*, ADS703	Для ворот с левой калиткой
	«M-гофр»	RAL 9016, 8014, 7016*	
	«S-гофр», «M-гофр» и «L-гофр»	Золотой дуб, Темный дуб, Вишня	
	«Микроволна», «S-гофр», «M-гофр» и «L-гофр»	Другой цвет по каталогу RAL	



* Указанные цвета имеют близкое соответствие шкале RAL.

ПОЛОТНО ВОРОТ С КАЛИТКОЙ

Панель промежуточная

Тип ворот:

- гаражные ворота Trend с торсионными пружинами всех типов монтажа;
- промышленные ворота ProTrend всех типов монтажа.

Тип калитки:

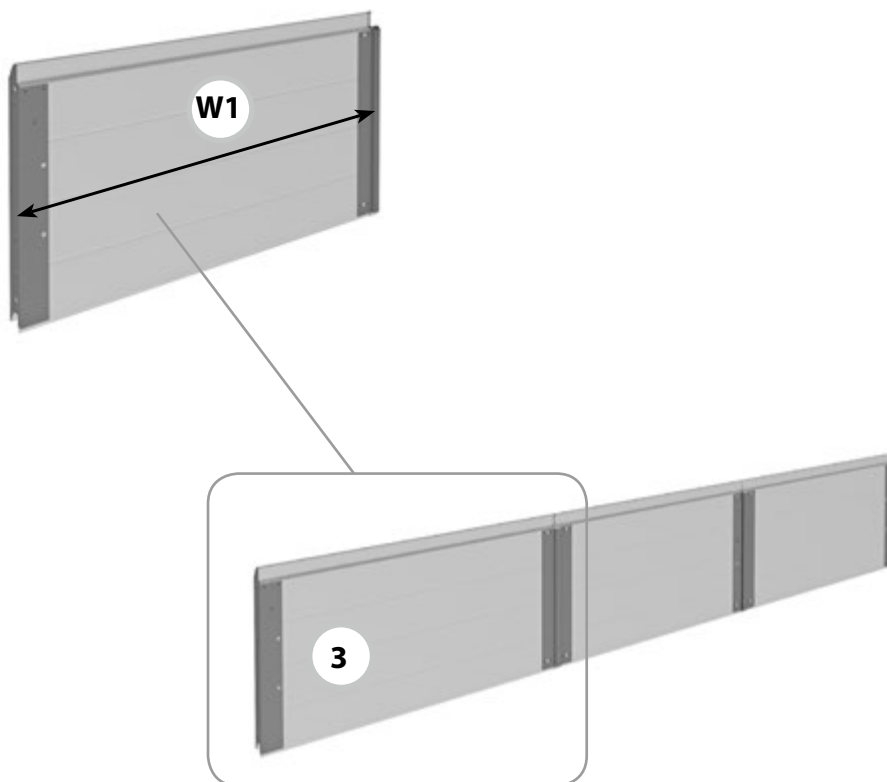
- с плоским порогом 18 мм;
- с низким порогом 100 мм;
- со стандартным порогом 145 мм.

Состав: промежуточная панель калитки (боковая часть) с установленными калиточными профилями.

Единица измерения шт.

Артикул	Тип полотна	Цвет	Применение
LPU-34Т	«Микроволна», «S-гофр», «М-гофр» и «L-гофр»	RAL 9016, 8014, 9006, 5010, 1015, 3004, 6005, 8017, 7016*, ADS703	Для ворот с правой калиткой
	«L-гофр»	RAL 9016, 8014, 7016*, ADS703	
	«S-гофр», «М-гофр» и «L-гофр»	Золотой дуб, Темный дуб, Вишня	
	«Микроволна», «S-гофр», «М-гофр» и «L-гофр»	Другой цвет по каталогу RAL	
LPU-44Т	«Микроволна», «S-гофр»	RAL 9016, 8014, 9006, 5010, 1015, 3004, 6005, 8017, 7016*, ADS703	Для ворот с левой калиткой
	«М-гофр»	RAL 9016, 8014, 7016*	
	«S-гофр», «М-гофр» и «L-гофр»	Золотой дуб, Темный дуб, Вишня	
	«Микроволна», «S-гофр», «М-гофр» и «L-гофр»	Другой цвет по каталогу RAL	

W1 — ширина боковой секции в панели с калиткой, м



* Указанные цвета имеют близкое соответствие шкале RAL.

Панель промежуточная

Тип ворот:

- гаражные ворота Trend с торсионными пружинами всех типов монтажа;
- промышленные ворота ProTrend всех типов монтажа.

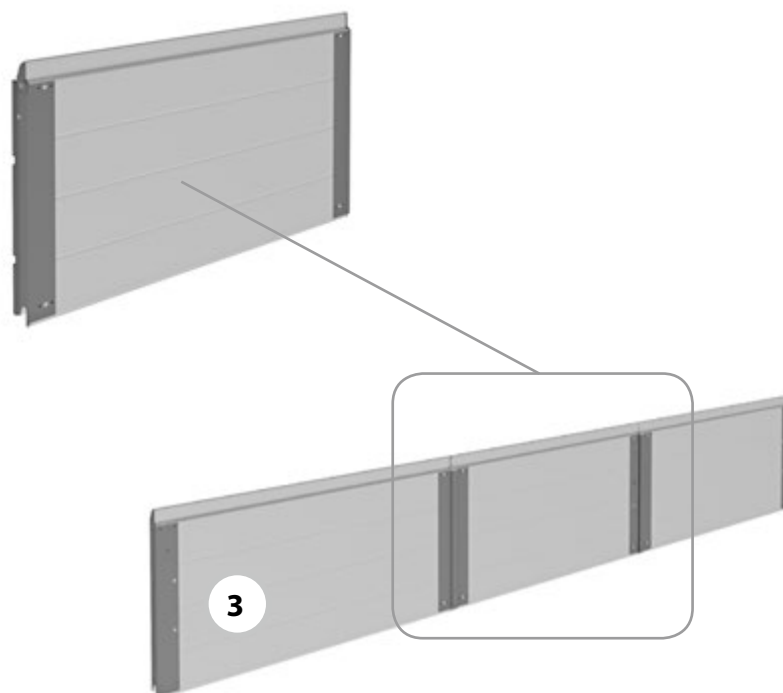
Тип калитки:

- с плоским порогом 18 мм;
- с низким порогом 100 мм;
- со стандартным порогом 145 мм.

Состав: промежуточная панель калитки (центральная часть) с установленными калиточными профилями.

Единица измерения шт.

Артикул	Тип полотна	Цвет	Применение
LPU-35T	«Микроволна», «S-гофр», «M-гофр» и «L-гофр»	RAL 9016, 8014, 9006, 5010, 1015, 3004, 6005, 8017, 7016*, ADS703	Для ворот с правой калиткой
	«L-гофр»	RAL 9016, 8014, 7016*, ADS703	
	«S-гофр», «M-гофр» и «L-гофр»	Золотой дуб, Темный дуб, Вишня	
	«Микроволна», «S-гофр», «M-гофр» и «L-гофр»	Другой цвет по каталогу RAL	
LPU-45T	«Микроволна», «S-гофр»	RAL 9016, 8014, 9006, 5010, 1015, 3004, 6005, 8017, 7016*, ADS703	Для ворот с левой калиткой
	«M-гофр»	RAL 9016, 8014, 7016*	
	«S-гофр», «M-гофр» и «L-гофр»	Золотой дуб, Темный дуб, Вишня	
	«Микроволна», «S-гофр», «M-гофр» и «L-гофр»	Другой цвет по каталогу RAL	



* Указанные цвета имеют близкое соответствие шкале RAL.

ПОЛОТНО ВОРОТ С КАЛИТКОЙ

Панель промежуточная

Тип ворот:

- гаражные ворота Trend с торсионными пружинами всех типов монтажа;
- промышленные ворота ProTrend всех типов монтажа.

Тип калитки:

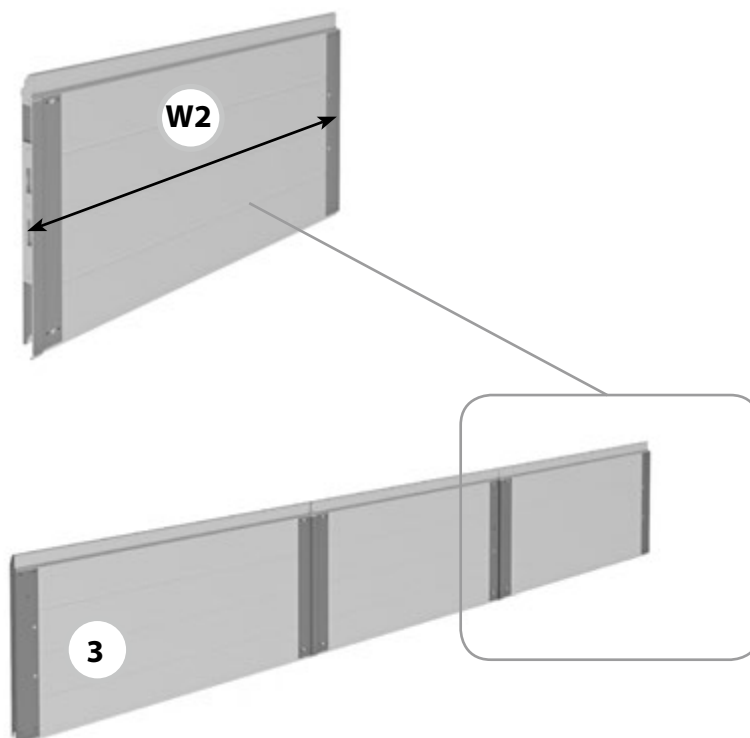
- с плоским порогом 18 мм;
- с низким порогом 100 мм;
- со стандартным порогом 145 мм.

Состав: промежуточная панель калитки (боковая часть) с установленными калиточными профилями.

Единица измерения шт.

Артикул	Тип полотна	Цвет	Применение
LPU-36T	«Микроволна», «S-гофр», «M-гофр» и «L-гофр»	RAL 9016, 8014, 9006, 5010, 1015, 3004, 6005, 8017, 7016*, ADS703	Для ворот с правой калиткой
	«L-гофр»	RAL 9016, 8014, 7016*, ADS703	
	«S-гофр», «M-гофр» и «L-гофр»	Золотой дуб, Темный дуб, Вишня	
	«Микроволна», «S-гофр», «M-гофр» и «L-гофр»	Другой цвет по каталогу RAL	
LPU-46T	«Микроволна», «S-гофр»	RAL 9016, 8014, 9006, 5010, 1015, 3004, 6005, 8017, 7016*, ADS703	Для ворот с левой калиткой
	«M-гофр»	RAL 9016, 8014, 7016*	
	«S-гофр», «M-гофр» и «L-гофр»	Золотой дуб, Темный дуб, Вишня	
	«Микроволна», «S-гофр», «M-гофр» и «L-гофр»	Другой цвет по каталогу RAL	

W2 — ширина боковой секции в панели с калиткой, м



* Указанные цвета имеют близкое соответствие шкале RAL.

Панель промежуточная

Тип ворот:

- гаражные ворота Trend с торсионными пружинами всех типов монтажа;
- промышленные ворота ProTrend всех типов монтажа.

Тип калитки:

- с плоским порогом 18 мм;
- с низким порогом 100 мм;
- со стандартным порогом 145 мм.

Состав: верхняя калиточная панель с установленными калиточными профилями и уплотнителями, верхний усиливающий профиль, шина доводчика. Доводчик и тяга доводчика в ремонтный узел не входят.

Единица измерения шт.

Артикул	Тип полотна	Цвет	Применение
LPU-37T	«Микроволна», «S-гофр», «М-гофр» и «L-гофр»	RAL 9016, 8014, 9006, 5010, 1015, 3004, 6005, 8017, 7016*, ADS703	Для ворот с правой калиткой
	«L-гофр»	RAL 9016, 8014, 7016*, ADS703	
	«S-гофр», «М-гофр» и «L-гофр»	Золотой дуб, Темный дуб, Вишня	
	«Микроволна», «S-гофр», «М-гофр» и «L-гофр»	Другой цвет по каталогу RAL	
LPU-47T	«Микроволна», «S-гофр»	RAL 9016, 8014, 9006, 5010, 1015, 3004, 6005, 8017, 7016*, ADS703	Для ворот с левой калиткой
	«М-гофр»	RAL 9016, 8014, 7016*	
	«S-гофр», «М-гофр» и «L-гофр»	Золотой дуб, Темный дуб, Вишня	
	«Микроволна», «S-гофр», «М-гофр» и «L-гофр»	Другой цвет по каталогу RAL	



* Указанные цвета имеют близкое соответствие шкале RAL.

ПОЛОТНО ВОРОТ С КАЛИТКОЙ

Панель промежуточная

Тип ворот:

- гаражные ворота Trend с торсионными пружинами всех типов монтажа;
- промышленные ворота ProTrend всех типов монтажа.

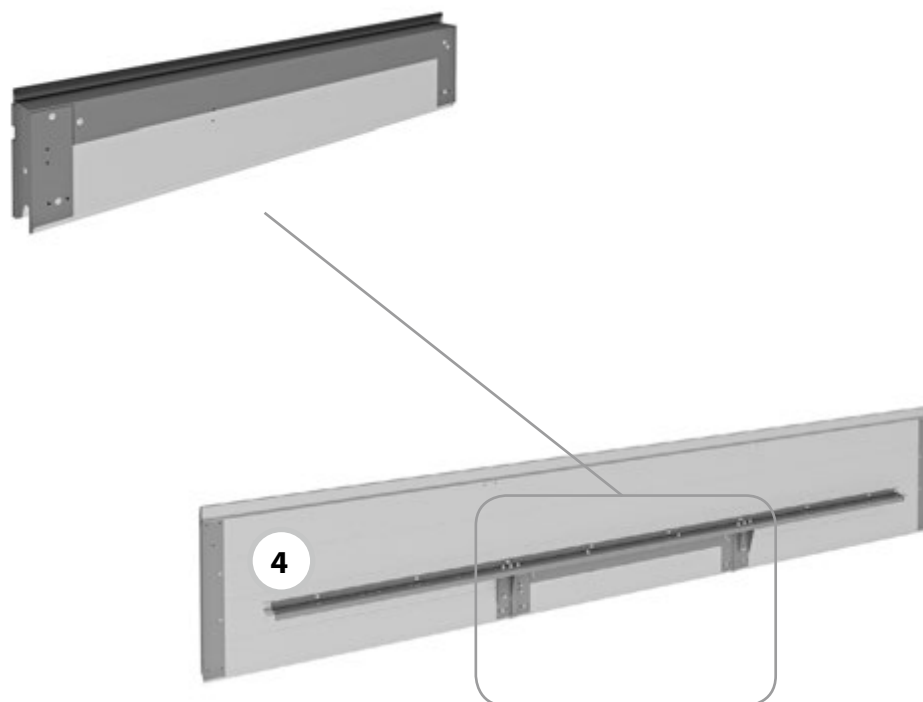
Тип калитки:

- с плоским порогом 18 мм;
- с низким порогом 100 мм;
- со стандартным порогом 145 мм.

Состав: верхняя калиточная панель (центральная часть) с установленными калиточными профилями. Доводчик и тяга доводчика в ремонтный узел не входят.

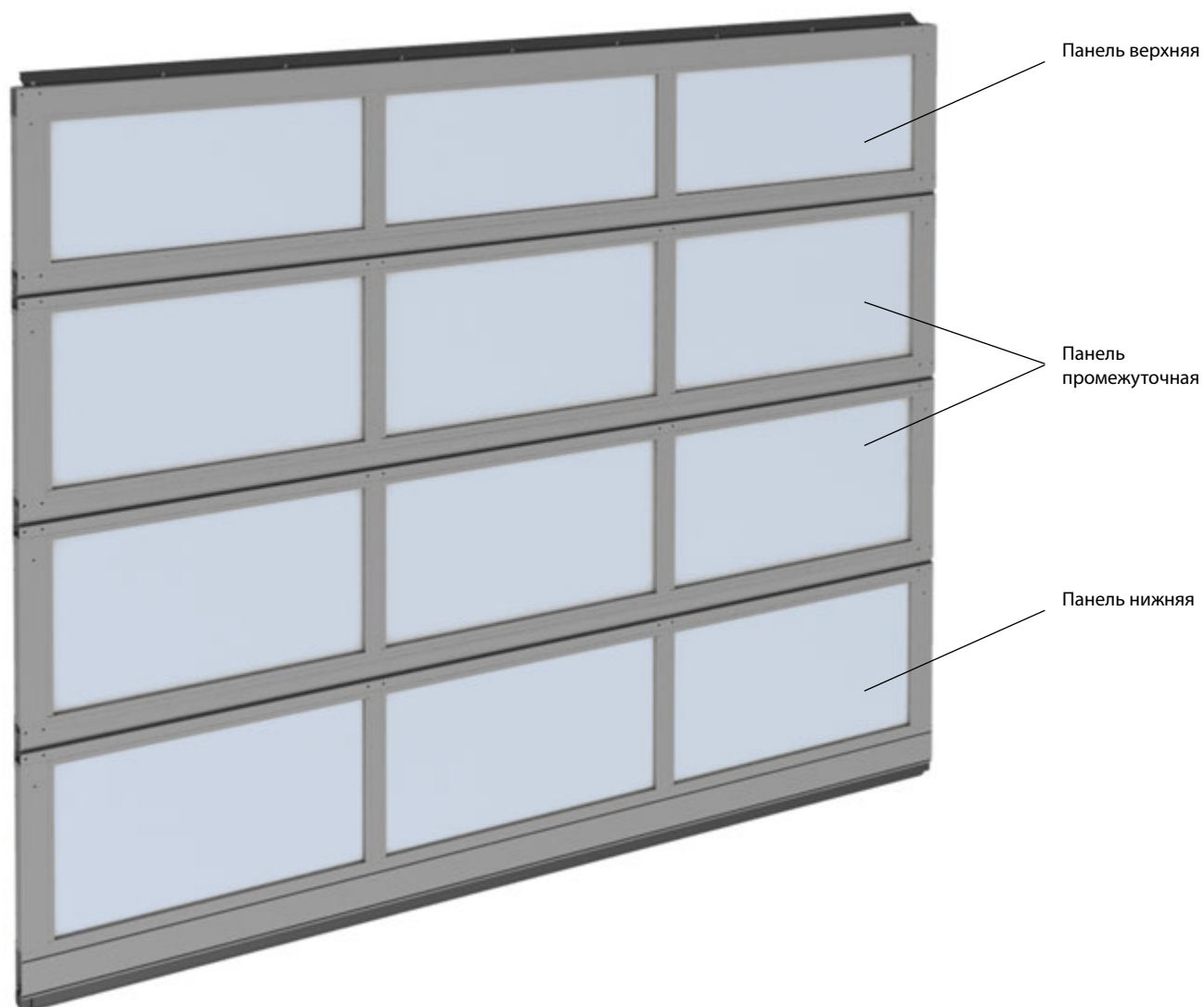
Единица измерения шт.

Артикул	Тип полотна	Цвет	Применение
LPU-38T	«Микроволна», «S-гофр», «M-гофр» и «L-гофр»	RAL 9016, 8014, 9006, 5010, 1015, 3004, 6005, 8017, 7016*, ADS703	Для ворот с правой калиткой
	«L-гофр»	RAL 9016, 8014, 7016*, ADS703	
	«S-гофр», «M-гофр» и «L-гофр»	Золотой дуб, Темный дуб, Вишня	
	«Микроволна», «S-гофр», «M-гофр» и «L-гофр»	Другой цвет по каталогу RAL	
LPU-48T	«Микроволна», «S-гофр»	RAL 9016, 8014, 9006, 5010, 1015, 3004, 6005, 8017, 7016*, ADS703	Для ворот с левой калиткой
	«M-гофр»	RAL 9016, 8014, 7016*	
	«S-гофр», «M-гофр» и «L-гофр»	Золотой дуб, Темный дуб, Вишня	
	«Микроволна», «S-гофр», «M-гофр» и «L-гофр»	Другой цвет по каталогу RAL	



* Указанные цвета имеют близкое соответствие шкале RAL.

ТИПОВАЯ КОНСТРУКЦИЯ ПАНОРАМНОГО ПОЛОТНА ВОРОТ
БЕЗ КАЛИТКИ



ПАНОРАМНОЕ ПОЛОТНО ВОРОТ БЕЗ КАЛИТКИ

Полотно воротное

Серия ворот: панорамные ворота AluTrend.

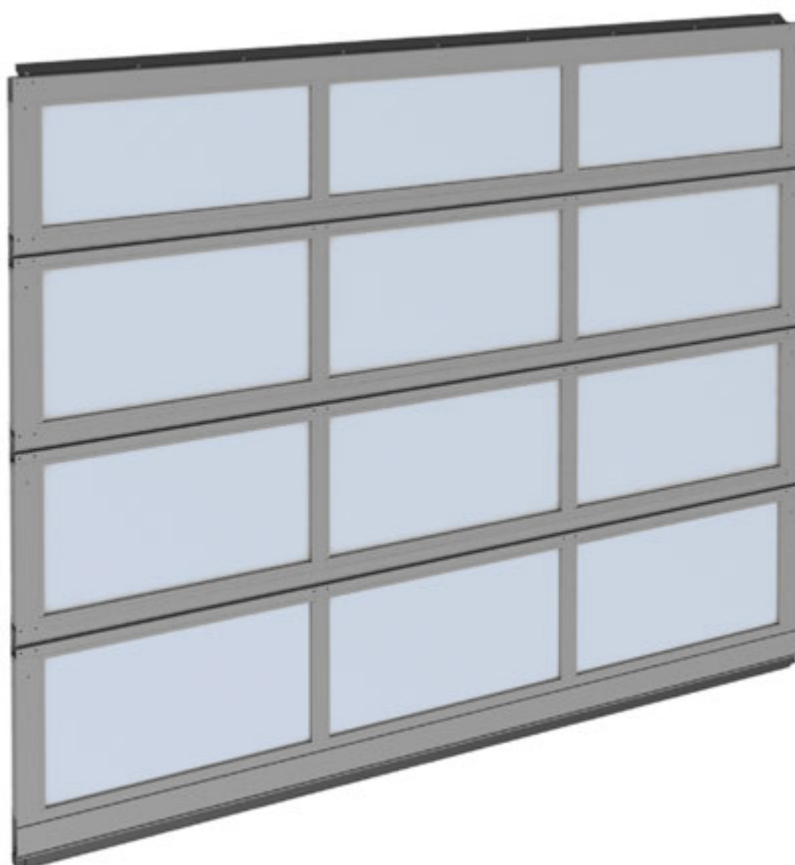
Тип полотна ворот: АЛП.

Состав: панорамные панели, нижняя и верхняя уплотнительные вставки, упоры нижние.

Единица измерения шт.

Артикул	Цвет
GLG-7T	RAL 9016, 8014, 9006, 5010, 1015, 3004, 6005, 8017, 7016*
	Другой цвет по каталогу RAL

04



* Указанные цвета имеют близкое соответствие шкале RAL.

Полотно воротное

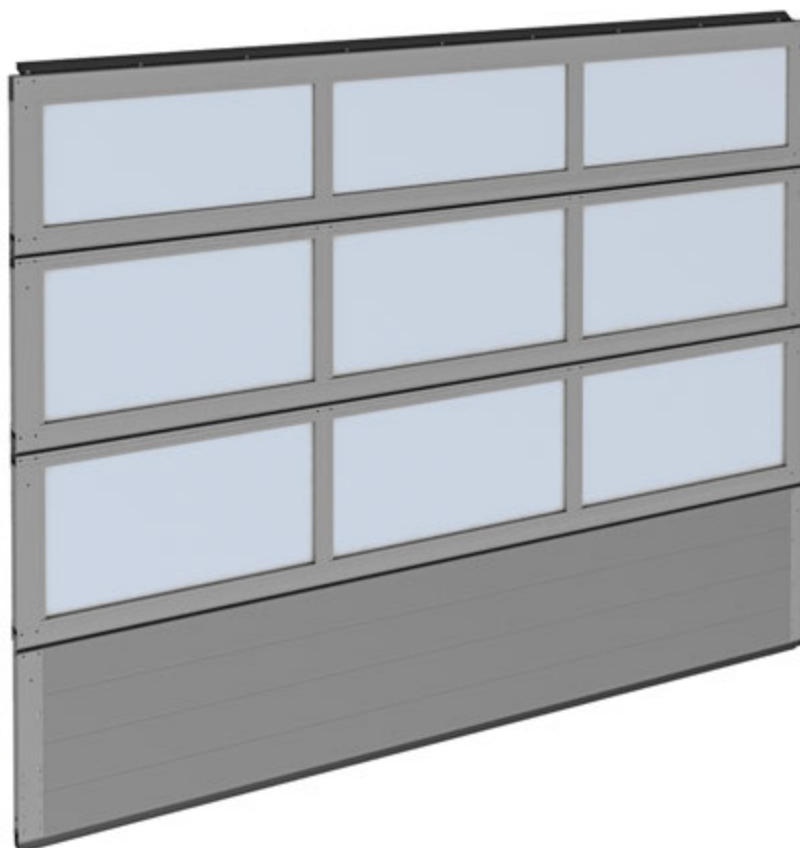
Серия ворот: панорамные ворота AluTrend.

Тип полотна ворот: АЛПС.

Состав: нижняя сэндвич-панель, промежуточные и верхняя панорамные панели, нижний концевой профиль, нижняя и верхняя уплотнительные вставки, упоры нижние.

Единица измерения шт.

Артикул	Цвет
GLG-10T	RAL 9016, 8014, 9006, 5010, 1015, 3004, 6005, 8017, 7016*
	Другой цвет по каталогу RAL



* Указанные цвета имеют близкое соответствие шкале RAL.

ПАНОРАМНОЕ ПОЛОТНО ВОРОТ БЕЗ КАЛИТКИ

Панель нижняя

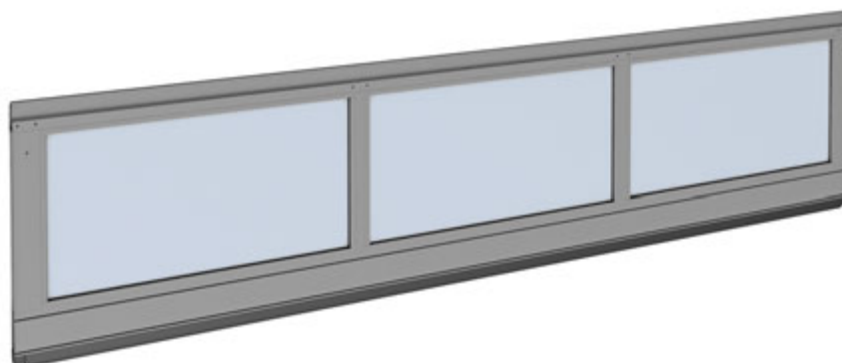
Серия ворот: панорамные ворота AluTrend.

Тип полотна ворот: АЛП.

Состав: нижняя панорамная панель, нижняя уплотнительная вставка, упоры нижние.

Единица измерения шт.

Артикул	Цвет
LPA-27T	RAL 9016, 8014, 9006, 5010, 1015, 3004, 6005, 8017, 7016*
	Другой цвет по каталогу RAL или ADS703



04

Панель промежуточная

Серия ворот:

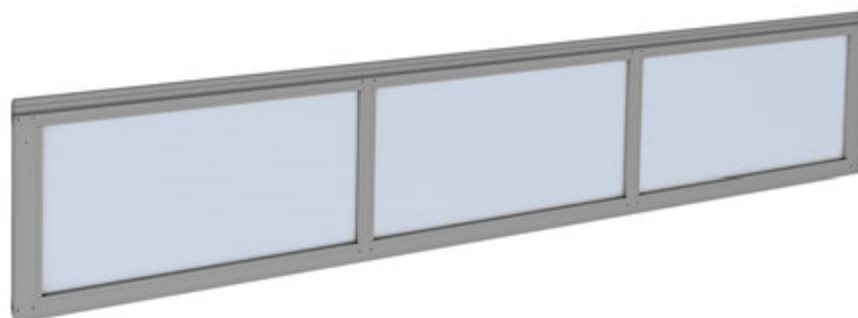
- панорамные ворота AluTrend;
- гаражные ворота Trend (ПО);
- промышленные ворота ProTrend (ПО).

Тип полотна ворот: АЛП, АЛПС, ПО.

Состав: промежуточная панорамная панель.

Единица измерения шт.

Артикул	Цвет
LPA-28T	RAL 9016, 8014, 9006, 5010, 1015, 3004, 6005, 8017, 7016*
	Другой цвет по каталогу RAL или ADS703



* Указанные цвета имеют близкое соответствие шкале RAL.

Панель верхняя

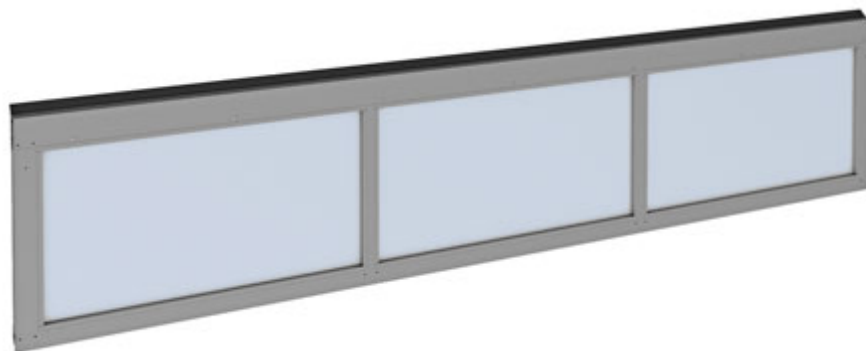
Серия ворот: панорамные ворота AluTrend.

Тип полотна ворот: АЛП, АЛПС.

Состав: верхняя панорамная панель, верхняя уплотнительная вставка.

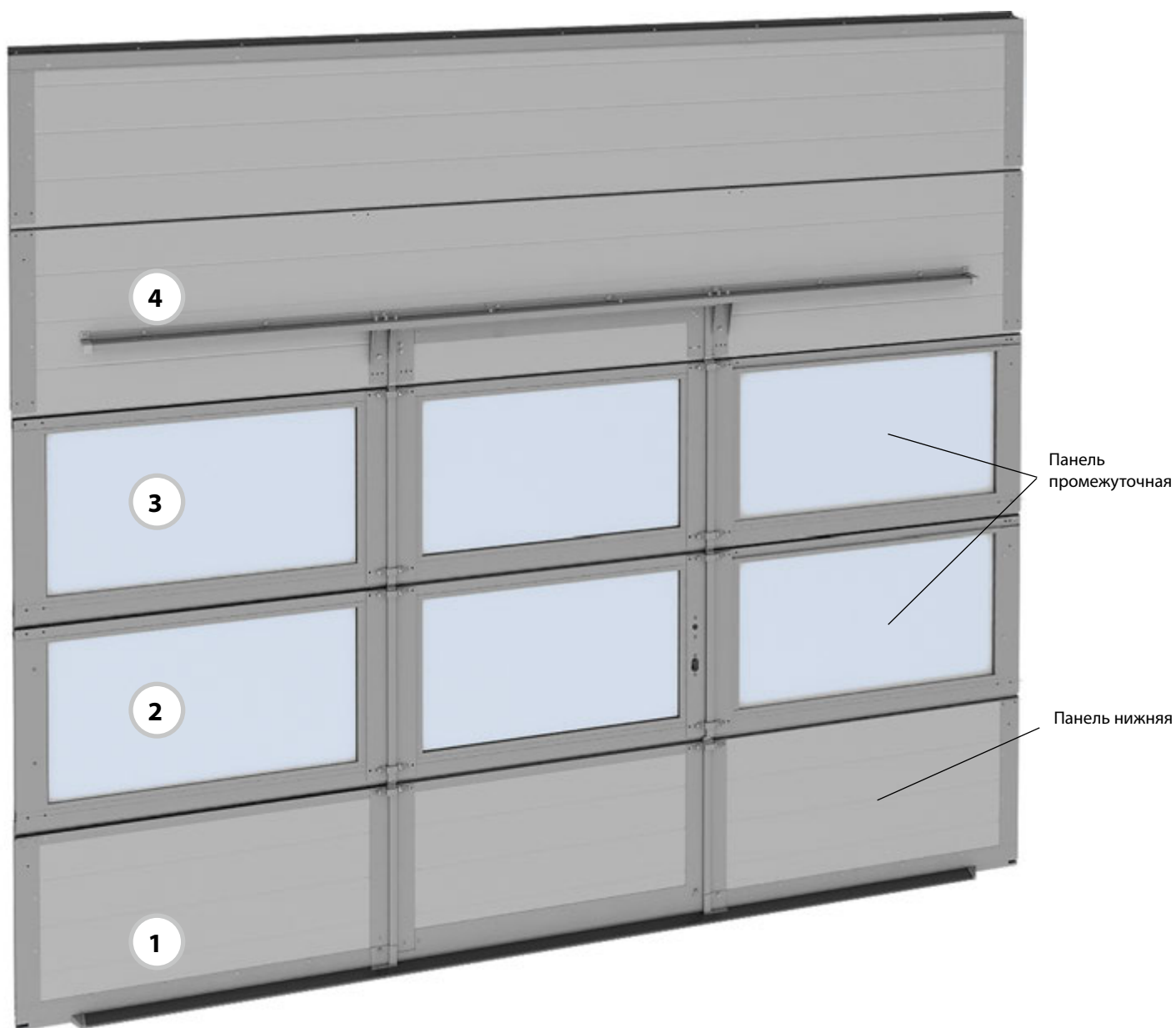
Единица измерения шт.

Артикул	Цвет
LPA-29T	RAL 9016, 8014, 9006, 5010, 1015, 3004, 6005, 8017, 7016*
	Другой цвет по каталогу RAL или ADS703



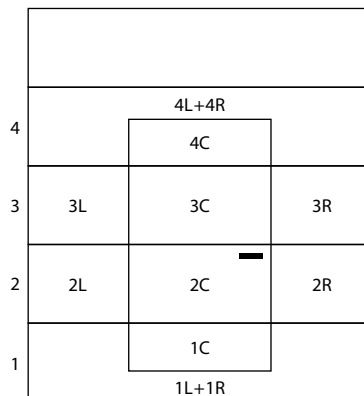
* Указанные цвета имеют близкое соответствие шкале RAL.

ТИПОВАЯ КОНСТРУКЦИЯ ПАНОРАМНОГО ПОЛОТНА ВОРОТ
С КАЛИТКОЙ

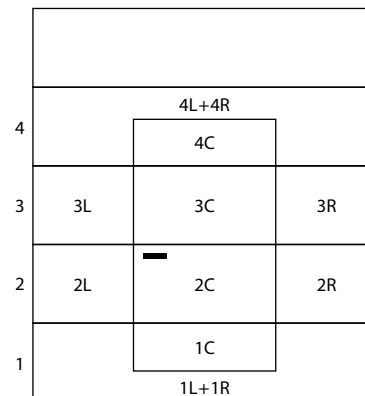


04

Схематическое изображение калитки с правым исполнением



Схематическое изображение калитки с левым исполнением



при взгляде изнутри

Панель промежуточная

Серия ворот:

- гаражные ворота Trend (панорамное остекление располагается в одной или нескольких калиточных панелях, кроме нижней и верхней);
- промышленные ворота ProTrend (панорамное остекление располагается в одной или нескольких калиточных панелях, кроме нижней и верхней).

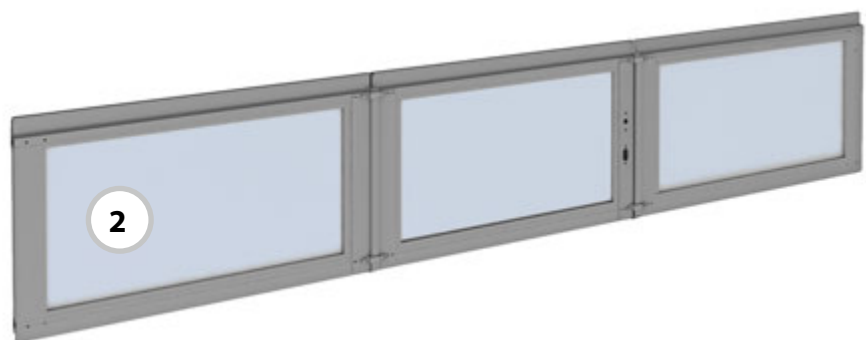
Тип калитки:

- с плоским порогом 18 мм;
- с низким порогом 100 мм;
- со стандартным порогом 145 мм.

Состав: промежуточная калиточная панель с установленными калиточными профилями, замок калитки (ригель, планка ригеля). Комплект ручек и цилиндрический механизм в ремонтный узел не входят.

Единица измерения шт.

Артикул	Цвет	Применение
LPA-31T	RAL 9016, 8014, 9006, 5010, 1015, 3004, 6005, 8017, 7016*	Для ворот с правой калиткой
	Другой цвет по каталогу RAL или ADS703	
LPA-41T	RAL 9016, 8014, 9006, 5010, 1015, 3004, 6005, 8017, 7016	Для ворот с левой калиткой
	Другой цвет по каталогу RAL или ADS703	



* Указанные цвета имеют близкое соответствие шкале RAL.

ПАНОРАМНОЕ ПОЛОТНО ВОРОТ С КАЛИТКОЙ

Панель промежуточная

Серия ворот:

- гаражные ворота Trend (панорамное остекление располагается в одной или нескольких калиточных панелях, кроме нижней и верхней);
- промышленные ворота ProTrend (панорамное остекление располагается в одной или нескольких калиточных панелях, кроме нижней и верхней).

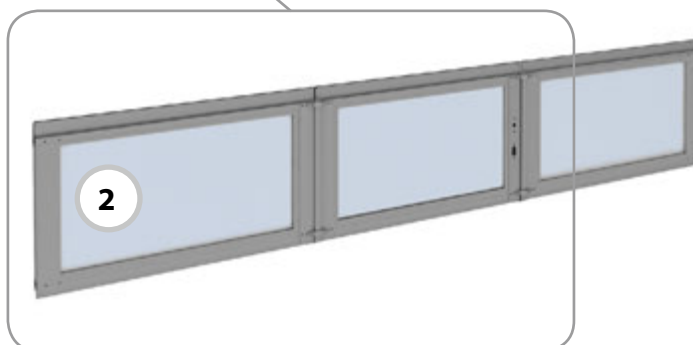
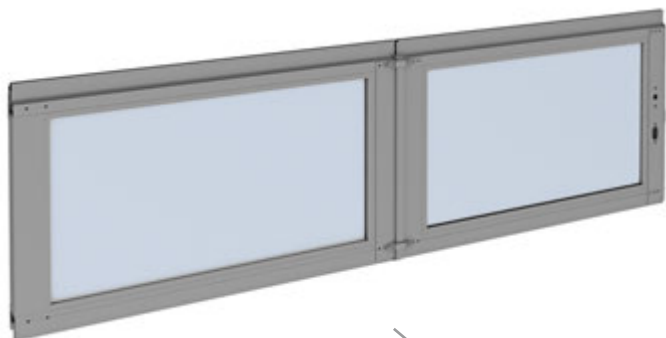
Тип калитки:

- с плоским порогом 18 мм;
- с низким порогом 100 мм;
- со стандартным порогом 145 мм.

Состав: промежуточные панели калитки (боковая и центральная часть) с установленными калиточными профилями, замок калитки (ригель). Комплект ручек и цилиндрический механизм в ремонтный узел не входят.

Единица измерения шт.

Артикул	Цвет	Применение
LPA-5T	RAL 9016, 8014, 9006, 5010, 1015, 3004, 6005, 8017, 7016*	Для ворот с правой калиткой
	Другой цвет по каталогу RAL или ADS703	
LPA-19T	RAL 9016, 8014, 9006, 5010, 1015, 3004, 6005, 8017, 7016	Для ворот с левой калиткой
	Другой цвет по каталогу RAL или ADS703	



* Указанные цвета имеют близкое соответствие шкале RAL.

Панель промежуточная

Серия ворот:

- гаражные ворота Trend (панорамное остекление располагается в одной или нескольких калиточных панелях, кроме нижней и верхней);
- промышленные ворота ProTrend (панорамное остекление располагается в одной или нескольких калиточных панелях, кроме нижней и верхней).

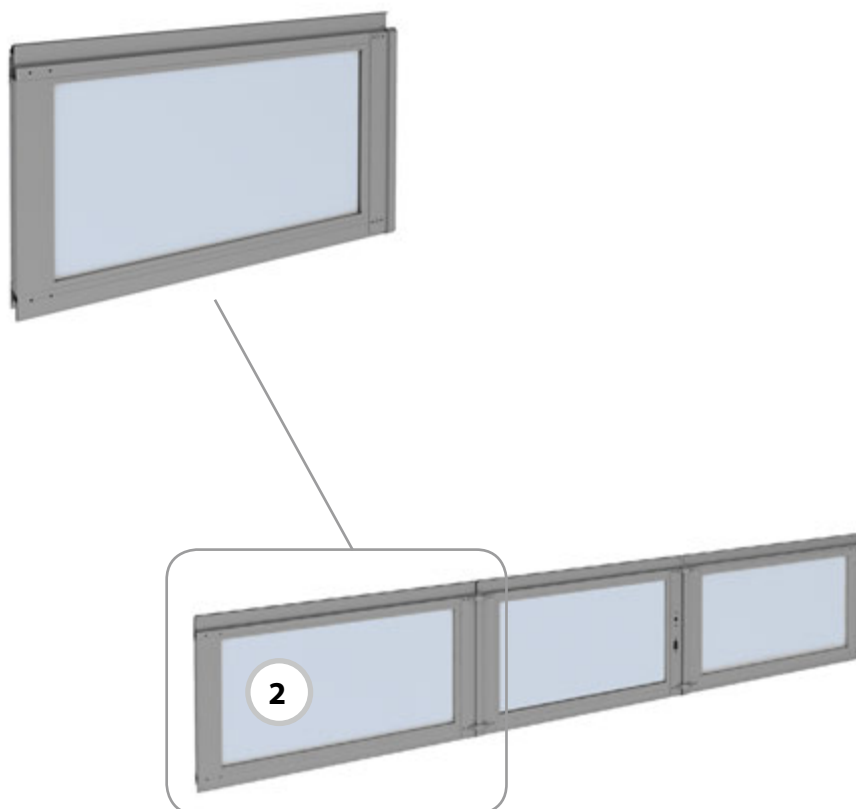
Тип калитки:

- с плоским порогом 18 мм;
- с низким порогом 100 мм;
- со стандартным порогом 145 мм.

Состав: промежуточная панель калитки (боковая часть) с установленными калиточными профилями.

Единица измерения шт.

Артикул	Цвет	Применение
LPA-6T	RAL 9016, 8014, 9006, 5010, 1015, 3004, 6005, 8017, 7016*	Для ворот с правой калиткой
	Другой цвет по каталогу RAL или ADS703	
LPA-20T	RAL 9016, 8014, 9006, 5010, 1015, 3004, 6005, 8017, 7016	Для ворот с левой калиткой
	Другой цвет по каталогу RAL или ADS703	



* Указанные цвета имеют близкое соответствие шкале RAL.

ПАНОРАМНОЕ ПОЛОТНО ВОРОТ С КАЛИТКОЙ

Панель промежуточная

Серия ворот:

- гаражные ворота Trend (панорамное остекление располагается в одной или нескольких калиточных панелях, кроме нижней и верхней);
- промышленные ворота ProTrend (панорамное остекление располагается в одной или нескольких калиточных панелях, кроме нижней и верхней).

Тип калитки:

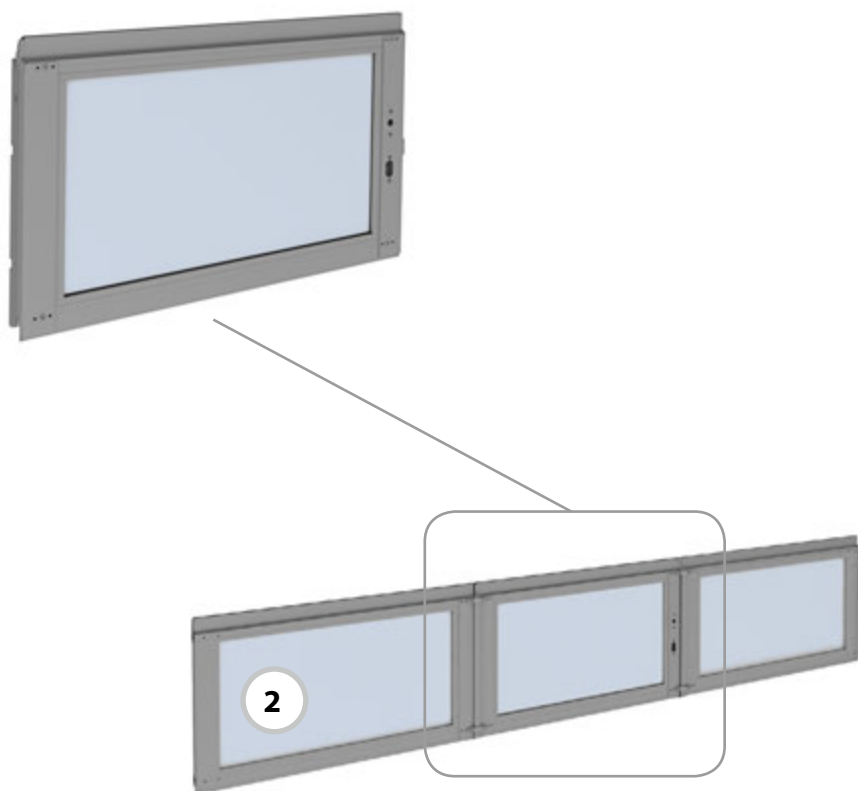
- с плоским порогом 18 мм;
- с низким порогом 100 мм;
- со стандартным порогом 145 мм.

Состав: промежуточная панель калитки (центральная часть) с установленными калиточными профилями, замок калитки (ригель).

Единица измерения шт.

Артикул	Цвет	Применение
LPA-7T	RAL 9016, 8014, 9006, 5010, 1015, 3004, 6005, 8017, 7016*	Для ворот с правой калиткой
	Другой цвет по каталогу RAL или ADS703	
LPA-21T	RAL 9016, 8014, 9006, 5010, 1015, 3004, 6005, 8017, 7016	Для ворот с левой калиткой
	Другой цвет по каталогу RAL или ADS703	

04



* Указанные цвета имеют близкое соответствие шкале RAL.

Панель промежуточная

Серия ворот:

- гаражные ворота Trend (панорамное остекление располагается в одной или нескольких калиточных панелях, кроме нижней и верхней);
- промышленные ворота ProTrend (панорамное остекление располагается в одной или нескольких калиточных панелях, кроме нижней и верхней).

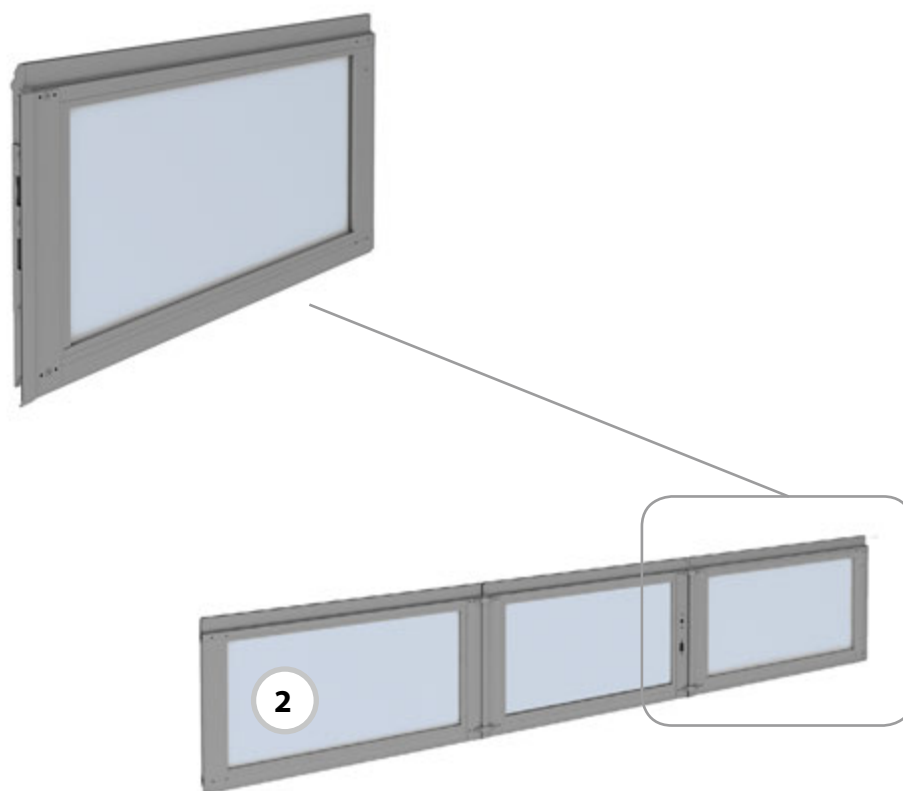
Тип калитки:

- с плоским порогом 18 мм;
- с низким порогом 100 мм;
- со стандартным порогом 145 мм.

Состав: промежуточная панель калитки (боковая часть) с установленными калиточными профилями, планка ригеля.

Единица измерения шт.

Артикул	Цвет	Применение
LPA-8T	RAL 9016, 8014, 9006, 5010, 1015, 3004, 6005, 8017, 7016*	Для ворот с правой калиткой
	Другой цвет по каталогу RAL или ADS703	
LPA-22T	RAL 9016, 8014, 9006, 5010, 1015, 3004, 6005, 8017, 7016	Для ворот с левой калиткой
	Другой цвет по каталогу RAL или ADS703	



* Указанные цвета имеют близкое соответствие шкале RAL.

ПАНОРАМНОЕ ПОЛОТНО ВОРОТ С КАЛИТКОЙ

Панель промежуточная

Серия ворот:

- гаражные ворота Trend (панорамное остекление располагается в одной или нескольких калиточных панелях, кроме нижней и верхней);
- промышленные ворота ProTrend (панорамное остекление располагается в одной или нескольких калиточных панелях, кроме нижней и верхней).

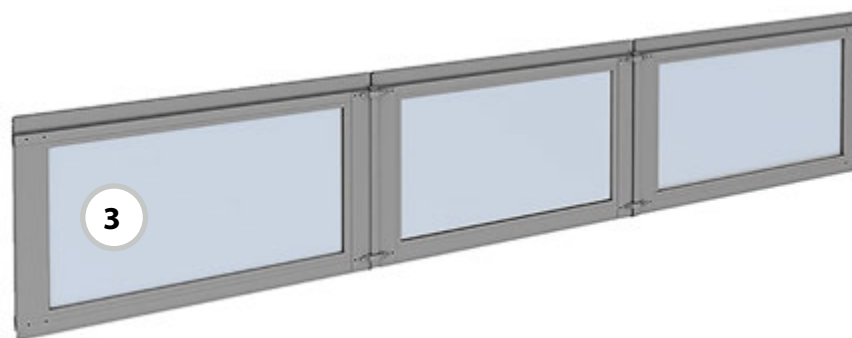
Тип калитки:

- с плоским порогом 18 мм;
- с низким порогом 100 мм;
- со стандартным порогом 145 мм.

Состав: промежуточная калиточная панель с установленными калиточными профилями.

Единица измерения шт.

Артикул	Цвет	Применение
LPA-32T	RAL 9016, 8014, 9006, 5010, 1015, 3004, 6005, 8017, 7016*	Для ворот с правой калиткой
	Другой цвет по каталогу RAL или ADS703	
LPA-42T	RAL 9016, 8014, 9006, 5010, 1015, 3004, 6005, 8017, 7016	Для ворот с левой калиткой
	Другой цвет по каталогу RAL или ADS703	



* Указанные цвета имеют близкое соответствие шкале RAL.

Панель промежуточная

Серия ворот:

- гаражные ворота Trend (панорамное остекление располагается в одной или нескольких калиточных панелях, кроме нижней и верхней);
- промышленные ворота ProTrend (панорамное остекление располагается в одной или нескольких калиточных панелях, кроме нижней и верхней).

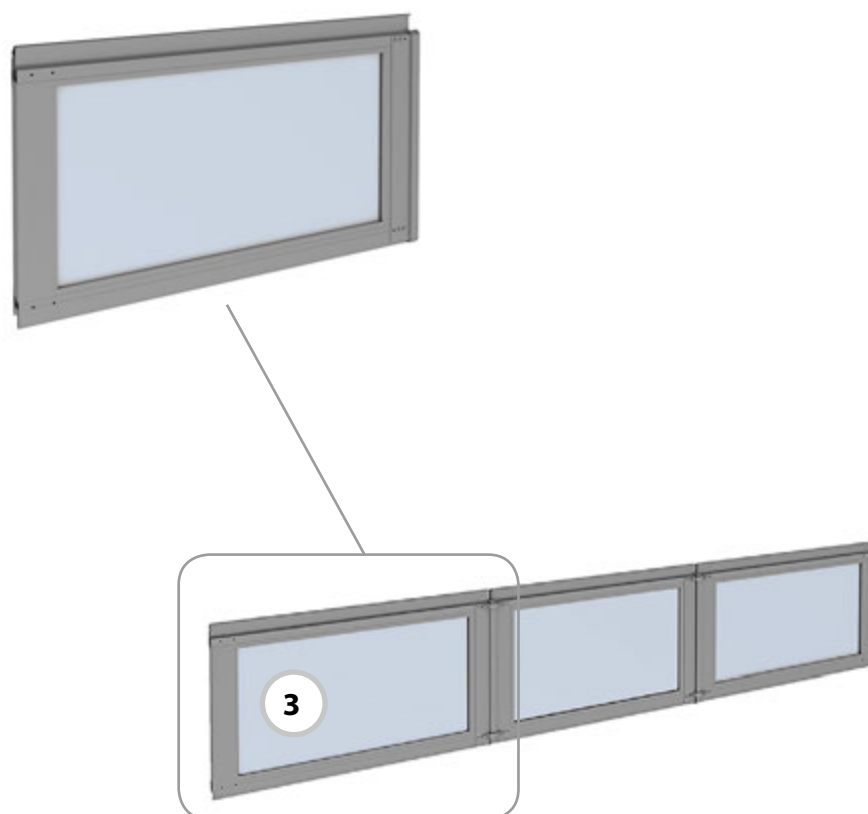
Тип калитки:

- с плоским порогом 18 мм;
- с низким порогом 100 мм;
- со стандартным порогом 145 мм.

Состав: промежуточные панели калитки (боковая часть) с установленными калиточными профилями.

Единица измерения шт.

Артикул	Цвет	Применение
LPA-33Т	RAL 9016, 8014, 9006, 5010, 1015, 3004, 6005, 8017, 7016*	Для ворот с правой калиткой
	Другой цвет по каталогу RAL или ADS703	
LPA-43Т	RAL 9016, 8014, 9006, 5010, 1015, 3004, 6005, 8017, 7016	Для ворот с левой калиткой
	Другой цвет по каталогу RAL или ADS703	



* Указанные цвета имеют близкое соответствие шкале RAL.

ПАНОРАМНОЕ ПОЛОТНО ВОРОТ С КАЛИТКОЙ

Панель промежуточная

Серия ворот:

- гаражные ворота Trend (панорамное остекление располагается в одной или нескольких калиточных панелях, кроме нижней и верхней);
- промышленные ворота ProTrend (панорамное остекление располагается в одной или нескольких калиточных панелях, кроме нижней и верхней).

Тип калитки:

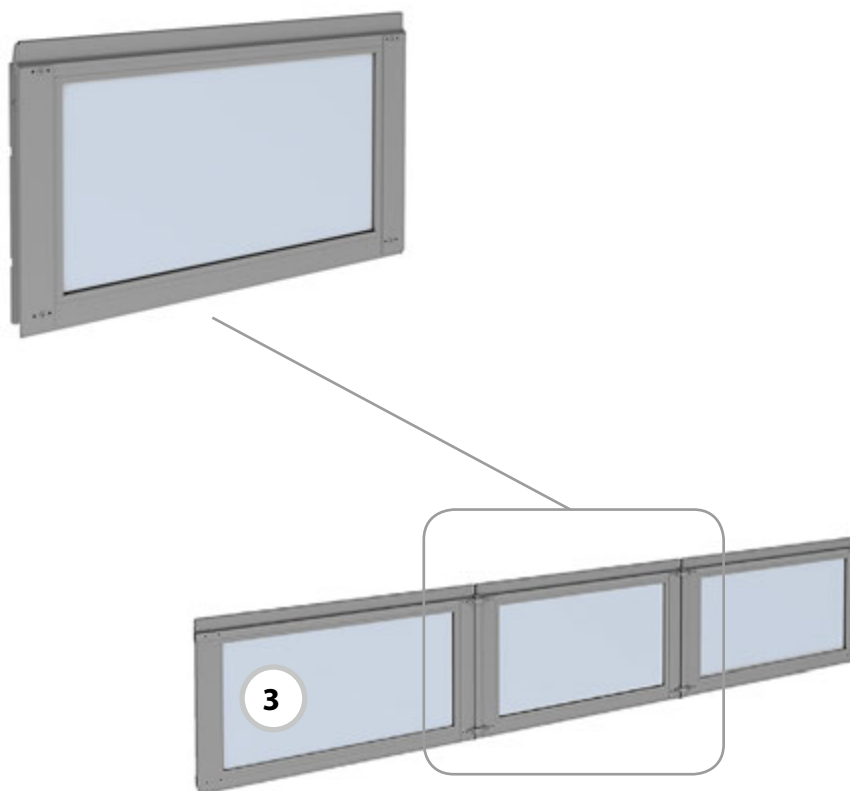
- с плоским порогом 18 мм;
- с низким порогом 100 мм;
- со стандартным порогом 145 мм.

Состав: промежуточные панели калитки (центральная часть) с установленными калиточными профилями.

Единица измерения шт.

Артикул	Цвет	Применение
LPA-34T	RAL 9016, 8014, 9006, 5010, 1015, 3004, 6005, 8017, 7016*	Для ворот с правой калиткой
	Другой цвет по каталогу RAL или ADS703	
LPA-44T	RAL 9016, 8014, 9006, 5010, 1015, 3004, 6005, 8017, 7016	Для ворот с левой калиткой
	Другой цвет по каталогу RAL или ADS703	

04



* Указанные цвета имеют близкое соответствие шкале RAL.

Панель промежуточная

Серия ворот:

- гаражные ворота Trend (панорамное остекление располагается в одной или нескольких калиточных панелях, кроме нижней и верхней);
- промышленные ворота ProTrend (панорамное остекление располагается в одной или нескольких калиточных панелях, кроме нижней и верхней).

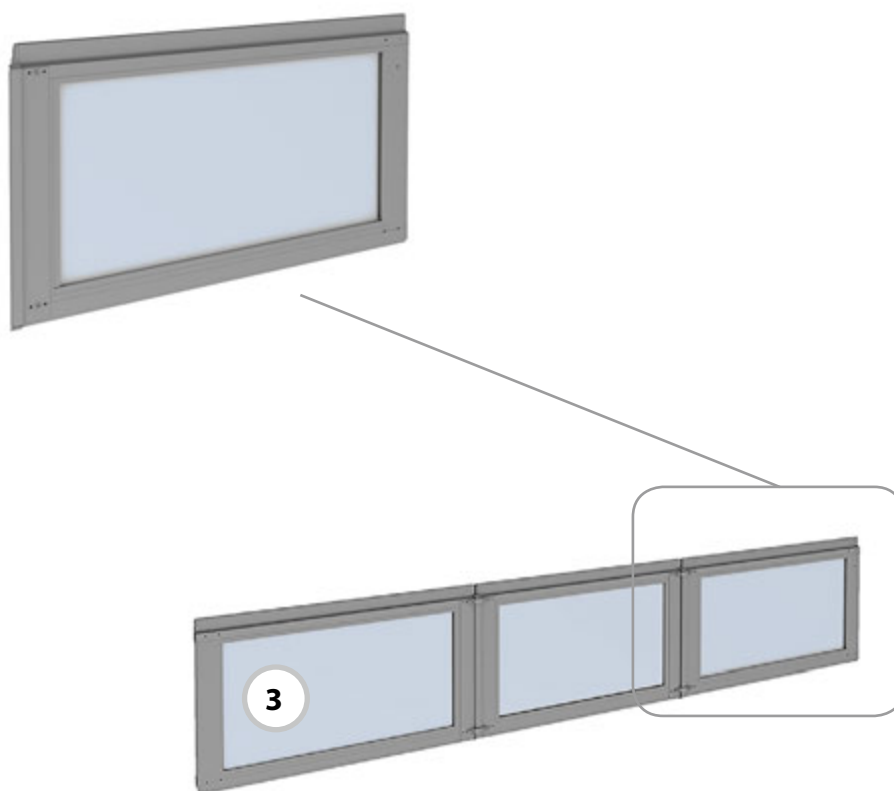
Тип калитки:

- с плоским порогом 18 мм;
- с низким порогом 100 мм;
- со стандартным порогом 145 мм.

Состав: промежуточные панели калитки (боковая часть) с установленными калиточными профилями.

Единица измерения шт.

Артикул	Цвет	Применение
LPA-35T	RAL 9016, 8014, 9006, 5010, 1015, 3004, 6005, 8017, 7016*	Для ворот с правой калиткой
	Другой цвет по каталогу RAL или ADS703	
LPA-45T	RAL 9016, 8014, 9006, 5010, 1015, 3004, 6005, 8017, 7016	Для ворот с левой калиткой
	Другой цвет по каталогу RAL или ADS703	



* Указанные цвета имеют близкое соответствие шкале RAL.

СИСТЕМА БАЛАНСИРОВКИ ПОЛОТНА ВОРОТ

Механизм пружинно-инерционный

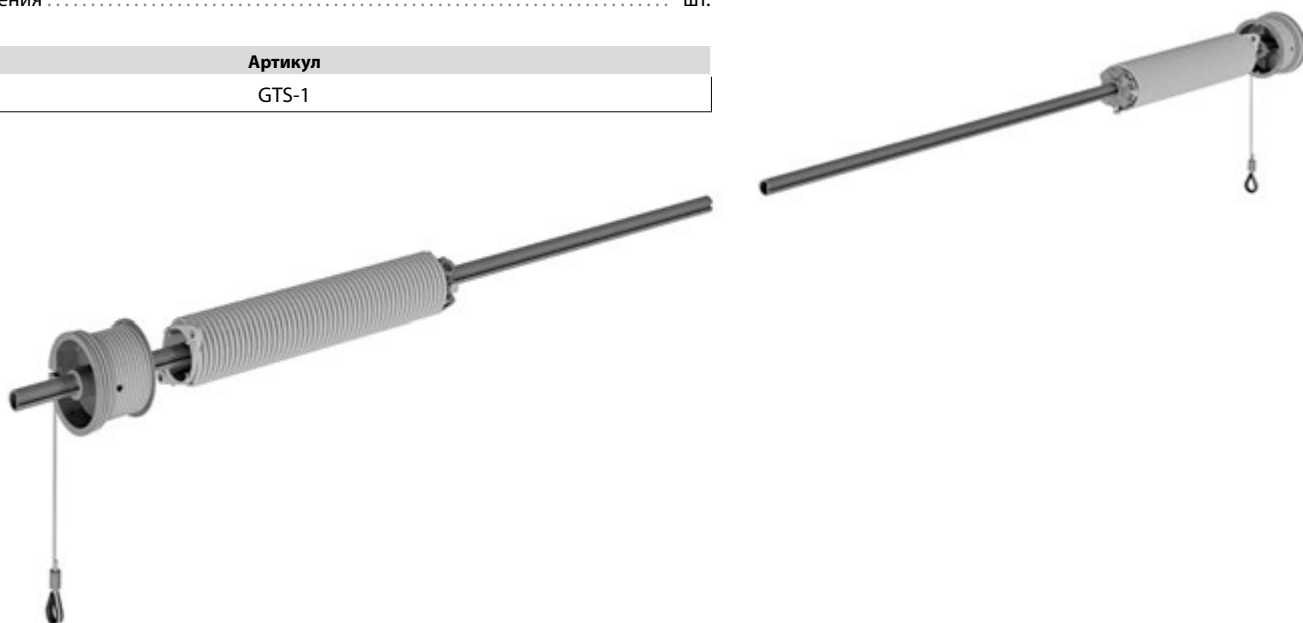
Тип ворот:

- гаражные ворота Trend с торсионными пружинами всех типов монтажа;
- промышленные ворота ProTrend.

Состав: вал (или два вала), пружины с пружинными наконечниками, барабаны, два собранных с коушами троса.

Единица измерения шт.

Артикул
GTS-1



04

Элемент торсионный

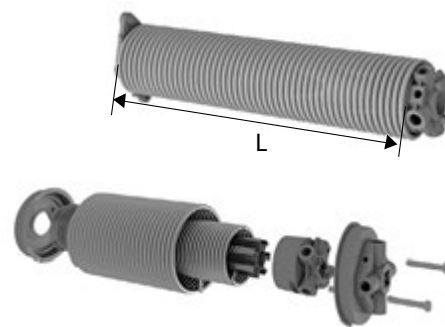
Тип ворот:

- гаражные ворота Trend с торсионными пружинами всех типов монтажа;
- промышленные ворота ProTrend.

Состав:

- торсионная пружина с пружинными наконечниками (ТКУ-1—4);
- торсионная пружина с пружинными наконечниками, проставочный профиль (ТКУ-5 — ТКУ-8);
- дуплексная пружина с пружинными наконечниками, проставочный профиль (ТКУ-9, ТКУ-11).

Единица измерения шт.



Артикул	Диаметр пружин, мм	Тип ворот	Применение
ТКУ-1	51	Гаражные ворота Trend Промышленные ворота ProTrend	Левая
ТКУ-2			Правая
ТКУ-3	67	Гаражные ворота Trend Промышленные ворота ProTrend	Левая
ТКУ-4			Правая
ТКУ-5	95	Промышленные ворота ProTrend	Левая
ТКУ-6			Правая
ТКУ-7	152	Промышленные ворота ProTrend	Левая
ТКУ-8			Правая
ТКУ-9	Дуплексная пружина (95+152 мм)	Промышленные ворота ProTrend	Левая
ТКУ-11			Правая

L — длина пружины, м

Элемент растяжения

Тип ворот: гаражные ворота Trend с пружинами растяжения.

Состав: пружина растяжения в сборе (внешняя и внутренняя пружины, фиксатор, узел верхний, кронштейн).

Единица измерения шт.

Артикул
TKU-13

L — длина пружины, м



Элемент торсионного вала

Тип ворот:

- гаражные ворота серии Trend с торсионными пружинами всех типов монтажа;
- промышленные ворота ProTrend всех типов монтажа.

Состав: два барабана, два собранных с коушами троса.

Единица измерения шт.



Артикул	Тип барабана	Типы ворот и монтажа
TKU-21	CD010N	Гаражные ворота Trend: • стандартный и низкий монтаж. Промышленные ворота Pro Trend: • стандартный, низкий, наклонный (5–40°), наклонный низкий (5–40°) типы монтажа.
TKU-22	CD012N	Гаражные ворота Trend: • стандартный и низкий монтаж. Промышленные ворота Pro Trend: • стандартный, низкий, наклонный (5–40°), наклонный низкий (5–40°) типы монтажа.
TKU-23	CD018N	Промышленные ворота ProTrend: • стандартный, низкий, наклонный (5–40°), наклонный низкий (5–40°) типы монтажа.
TKU-24	CD032N	
TKU-25	CD032N-5/4	
TKU-26	CD054H	Гаражные ворота Trend • высокий тип монтажа. Промышленные ворота ProTrend: • высокий и наклонный высокий (5–40°) монтаж с верхним расположением вала, высокий и наклонный высокий (5–40°) монтаж с нижним расположением вала.
TKU-27	CD120H	Промышленные ворота ProTrend: • высокий и наклонный высокий (5–40°) монтаж с верхним расположением вала, высокий и наклонный высокий (5–40°) монтаж с нижним расположением вала.
TKU-28	CD164H	
TKU-29	CD164H-5/4	
TKU-30	CD011V	Промышленные ворота ProTrend: • вертикальный монтаж с верхним и нижним расположением вала, все типы наклонных монтажей (45°).
TKU-31	CD018V	
TKU-32	CD018V-5/4	

L — суммарная длина двух тросов, м

СИСТЕМА НАПРАВЛЯЮЩИХ

Стойка вертикальная

Тип ворот: гаражные ворота Trend с торсионными пружинами.

Тип монтажа: стандартный.

Состав: угловой профиль, вертикальная направляющая, боковой уплотнитель, кронштейн, ограничитель угловой стойки.

Единица измерения шт.

Артикул	Применение
НКГ-4Т	Левая
НКГ-5Т	Правая

Н — высота проема, м



04

Стойка вертикальная

Тип ворот: гаражные ворота Trend с торсионными пружинами.

Тип монтажа: низкий монтаж.

Состав: угловой профиль, вертикальная направляющая, боковой уплотнитель, кронштейн, ограничитель угловой стойки.

Единица измерения шт.

Артикул	Применение
НКГ-9Т	Левая
НКГ-10Т	Правая

Н — высота проема, м



Стойка вертикальная

Тип ворот: гаражные ворота Trend с пружинами растяжения.

Состав: угловой профиль, вертикальная направляющая, боковой уплотнитель, кронштейн, ограничитель угловой стойки, пластина.

Единица измерения шт.

Артикул	Применение
НKG-18Т	Левая
НKG-19Т	Правая

H — высота проема, м



Стойка вертикальная

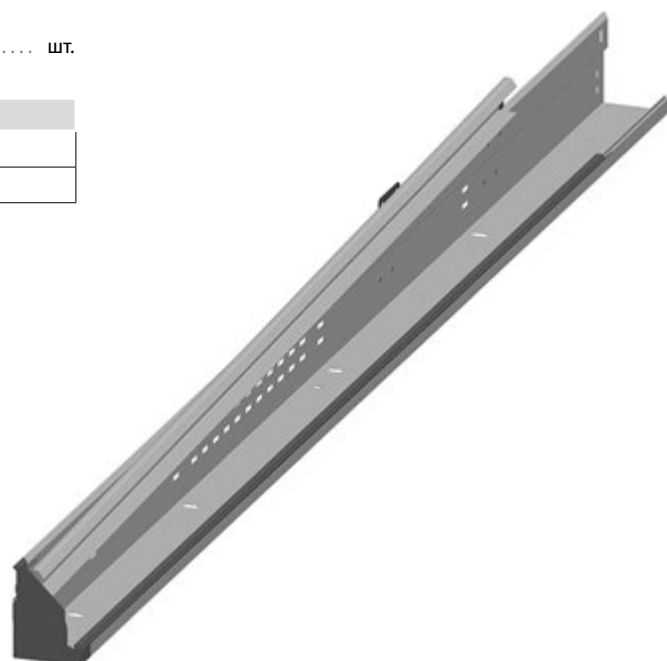
Тип ворот: гаражные ворота Trend с торсионными пружинами.

Тип монтажа: высокий с верхним расположением вала.

Состав: угловой профиль, вертикальная направляющая, соединительные пластины, боковой уплотнитель.

Единица измерения шт.

Артикул	Применение
НKG-22Т	Левая
НKG-23Т	Правая



СИСТЕМА НАПРАВЛЯЮЩИХ

Стойка вертикальная

Тип ворот: промышленные ворота ProTrend.

Тип монтажа: стандартный.

Состав: угловой профиль, вертикальная направляющая, соединительные пластины, боковой уплотнитель.

Единица измерения шт.

Артикул	Примечание (система подвеса)	Применение
НКI-10	GSH-4	Левая
НКI-11		Правая
НКI-14	GSH-5	Левая, нижняя часть
НКI-15		Правая, нижняя часть
НКI-16	GSH-5	Левая, верхняя часть
НКI-17		Правая, верхняя часть

H — высота проема, м



Угловая стойка, состоящая из цельного профиля
(НКI-10, 11)



Нижняя часть
(НКI-14, 15)



Верхняя часть
(НКI-16, 17)

Угловая стойка, состоящая из двух отдельных частей

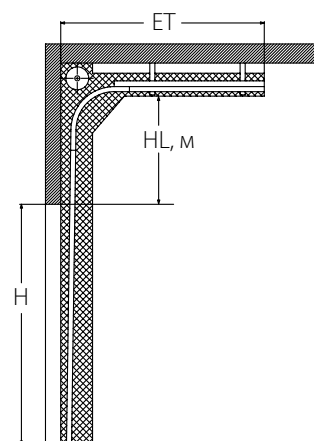
Стойка вертикальная

Тип ворот: промышленные ворота ProTrend.

Тип монтажа: высокий монтаж с верхним расположением вала.

Состав: угловой профиль, вертикальная направляющая, соединительные пластины, боковой уплотнитель.

Единица измерения шт.



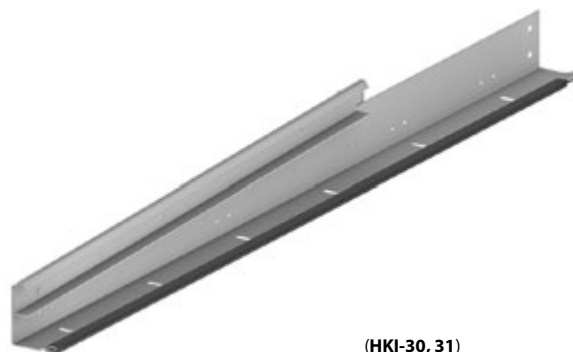
Артикул	Примечание (система подвеса)	Применение
НКИ-20	GSH-6	Левая, нижняя часть
НКИ-21		Правая, нижняя часть
НКИ-22	GSH-6	Левая, верхняя часть
НКИ-23		Правая, верхняя часть
НКИ-26	GSH-7	Левая
НКИ-27		Правая
НКИ-30	GSH-8	Левая
НКИ-31		Правая

H — высота проема, м

HL — высота от верха проема до горизонтальной направляющей, м

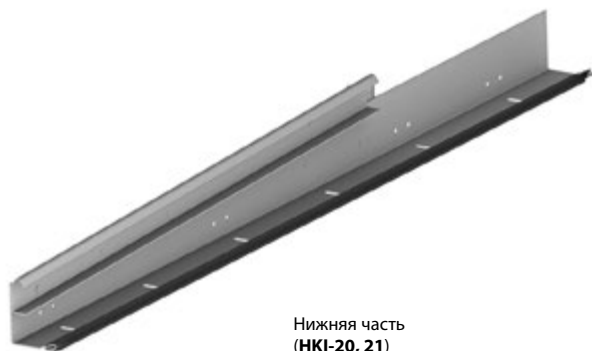


(НКИ-26, 27)



(НКИ-30, 31)

Угловая стойка, состоящая из цельного профиля



Нижняя часть
(НКИ-20, 21)



Верхняя часть
(НКИ-22, 23)

Угловая стойка, состоящая из двух отдельных частей

СИСТЕМА НАПРАВЛЯЮЩИХ

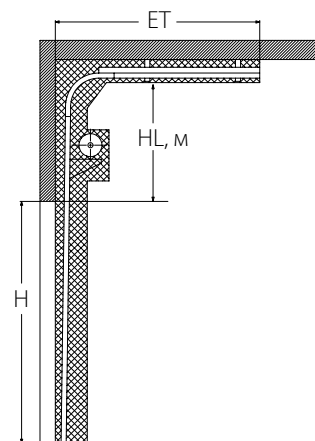
Стойка вертикальная

Тип ворот: промышленные ворота ProTrend.

Тип монтажа: высокий монтаж с нижним расположением вала.

Состав: угловой профиль, вертикальная направляющая, соединительные пластины, боковой уплотнитель.

Единица измерения шт.



Артикул	Примечание (система подвеса)	Применение
НКИ-34	GSH-9	Левая, нижняя часть
НКИ-35		Правая, нижняя часть
НКИ-36	GSH-9	Левая, верхняя часть
НКИ-37		Правая, верхняя часть
НКИ-40	GSH-10	Левая
НКИ-41		Правая

H — высота проема, м

HL — высота от верха проема до горизонтальной направляющей, м



Угловая стойка, состоящая из цельного профиля
(НКИ-40, 41)



Нижняя часть
(НКИ-34, 35)



Верхняя часть
(НКИ-36, 37)

Угловая стойка, состоящая из двух отдельных частей

Стойка вертикальная

Тип ворот: промышленные ворота ProTrend.

Тип монтажа: вертикальный монтаж с верхним расположением вала.

Состав: угловой профиль, вертикальная направляющая, соединительные пластины, боковой уплотнитель.

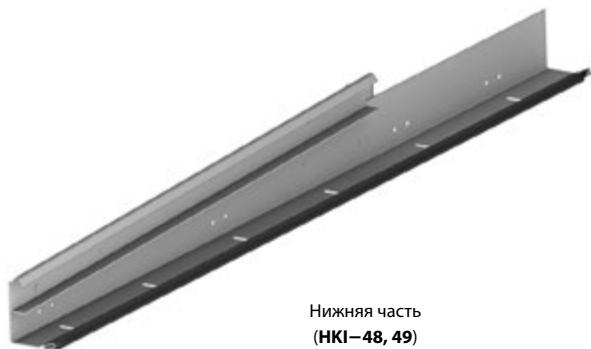
Единица измерения шт.

Артикул	Примечание (система подвеса)	Применение
HKI-48	GSH-12	Левая, нижняя часть
HKI-49		Правая, нижняя часть
HKI-50	GSH-12	Левая, верхняя часть
HKI-51		Правая, верхняя часть
HKI-52	GSH-13	Левая
HKI-53		Правая

H — высота проема, м



Угловая стойка, состоящая из цельного профиля
(HKI-52, 53)



Нижняя часть
(HKI-48, 49)



Верхняя часть
(HKI-50, 51)

Угловая стойка, состоящая из двух отдельных частей

СИСТЕМА НАПРАВЛЯЮЩИХ

Стойка вертикальная

Тип ворот: промышленные ворота ProTrend.

Тип монтажа: вертикальный монтаж с нижним расположением вала.

Состав: угловой профиль, вертикальная направляющая, соединительные пластины, боковой уплотнитель.

Единица измерения шт.

Артикул	Примечание (система подвеса)	Применение
HKI-54	GSH-14	Левая
HKI-55		Правая
HKI-60	GSH-16	Левая
HKI-61		Правая
HKI-56	GSH-15	Левая, нижняя часть
HKI-57		Правая, нижняя часть
HKI-58	GSH-15	Левая, верхняя часть
HKI-59		Правая, верхняя часть

H — высота проема, м



Угловая стойка, состоящая из цельного профиля
(HKI-54,55,60,61)



Нижняя часть
(HKI-56, 57)



Верхняя часть
(HKI-58, 59)

Угловая стойка, состоящая из двух отдельных частей

Стойка вертикальная

Тип ворот: промышленные ворота ProTrend.

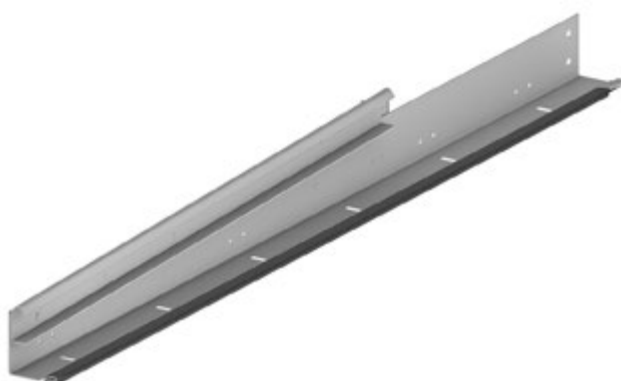
Тип монтажа: наклонный.

Состав: угловой профиль, вертикальная направляющая, соединительные пластины, боковой уплотнитель.

Единица измерения шт.

Артикул	Примечание (система подвеса)	Применение
НКI-62	GSH-19	Левая
НКI-63		Правая
НКI-66	GSH-20	Левая, нижняя часть
НКI-67		Правая, нижняя часть
НКI-68	GSH-20	Левая, верхняя часть
НКI-69		Правая, верхняя часть

H — высота проема, м



Угловая стойка, состоящая из цельного профиля
(НКI-62,63)



Нижняя часть
(НКI-66, 67)



Верхняя часть
(НКI-68, 69)

Угловая стойка, состоящая из двух отдельных частей

СИСТЕМА НАПРАВЛЯЮЩИХ

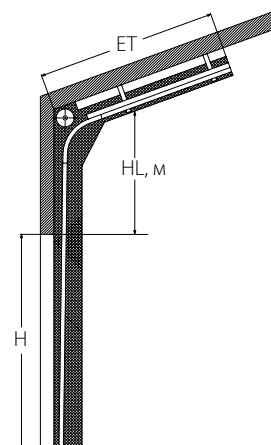
Стойка вертикальная

Тип ворот: промышленные ворота ProTrend.

Тип монтажа: наклонный высокий монтаж с верхним расположением вала.

Состав: угловой профиль, вертикальная направляющая, соединительные пластины, боковой уплотнитель.

Единица измерения шт.



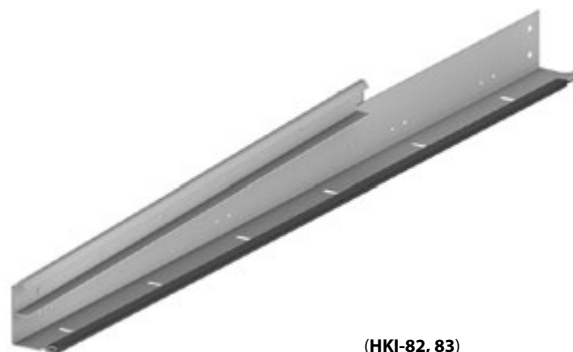
Артикул	Примечание (система подвеса)	Применение
НКI-72	GSH-21	Левая, нижняя часть
НКI-73		Правая, нижняя часть
НКI-74	GSH-21	Левая, верхняя часть
НКI-75		Правая, верхняя часть
НКI-78	GSH-22	Левая
НКI-79		Правая
НКI-82	GSH-23	Левая
НКI-83		Правая

H — высота проема, м

HL — высота от верха проема до горизонтальной направляющей, м

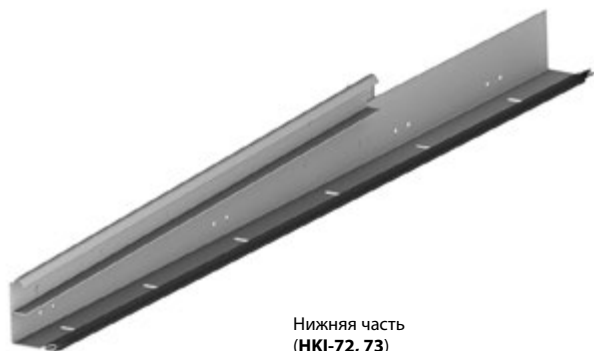


(НКI-78, 79)



(НКI-82, 83)

Угловая стойка, состоящая из цельного профиля



Нижняя часть
(НКI-72, 73)



Верхняя часть
(НКI-74, 75)

Угловая стойка, состоящая из двух отдельных частей

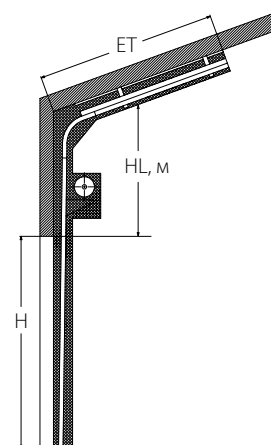
Стойка вертикальная

Тип ворот: промышленные ворота ProTrend.

Тип монтажа: наклонный высокий монтаж с нижним расположением вала.

Состав: угловой профиль, вертикальная направляющая, соединительные пластины, боковой уплотнитель.

Единица измерения шт.



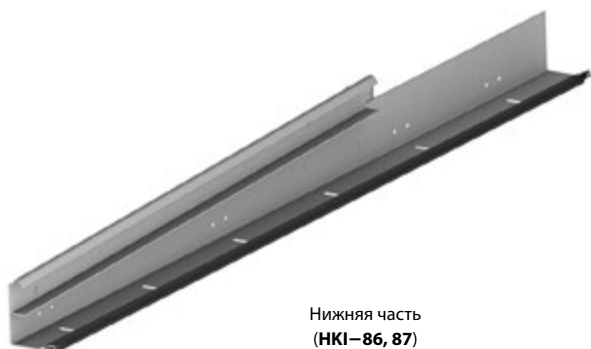
Артикул	Примечание (система подвеса)	Применение
НКI-86	GSH-24	Левая, нижняя часть
НКI-87		Правая, нижняя часть
НКI-88	GSH-24	Левая, верхняя часть
НКI-89		Правая, верхняя часть
НКI-92	GSH-25	Левая
НКI-93		Правая

H — высота проема, м

HL — высота от верха проема до горизонтальной направляющей, м



Угловая стойка, состоящая из цельного профиля
(НКI-92,93)



Нижняя часть
(НКI-86, 87)



Верхняя часть
(НКI-88, 89)

Угловая стойка, состоящая из двух отдельных частей

СИСТЕМА НАПРАВЛЯЮЩИХ

Стойка вертикальная

Тип ворот: промышленные ворота ProTrend.

Тип монтажа: низкий.

Состав: угловой профиль, вертикальная направляющая, соединительные пластины, боковой уплотнитель, кронштейн для установки шкива.

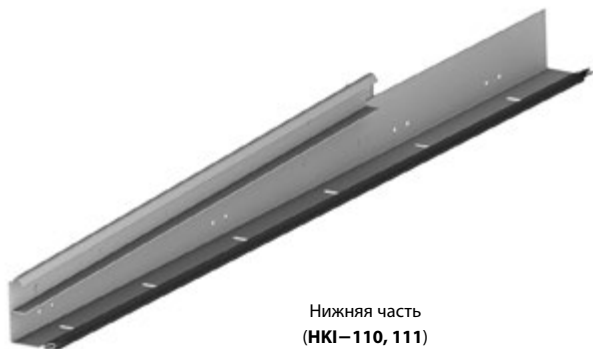
Единица измерения шт.

Артикул	Примечание (система подвеса)	Применение
HKI-108	GSH-17	Левая
HKI-109		Правая
HKI-110	GSH-18	Левая, нижняя часть
HKI-111		Правая, нижняя часть
HKI-112	GSH-18	Левая, верхняя часть
HKI-113		Правая, верхняя часть

H — высота проема, м



Угловая стойка, состоящая из цельного профиля
(HKI-108, 109)



Нижняя часть
(HKI-110, 111)



Верхняя часть
(HKI-112, 113)

Угловая стойка, состоящая из двух отдельных частей

Стойка вертикальная

Тип ворот: промышленные ворота ProTrend.

Тип монтажа: наклонный низкий.

Состав: угловой профиль, вертикальная направляющая, соединительные пластины, боковой уплотнитель, кронштейн для установки шкива.

Единица измерения шт.

Артикул	Примечание (система подвеса)	Применение
HKI-114	GSH-27	Левая
HKI-115		Правая
HKI-116	GSH-28	Левая, нижняя часть
HKI-117		Правая, нижняя часть
HKI-118	GSH-28	Левая, верхняя часть
HKI-119		Правая, верхняя часть

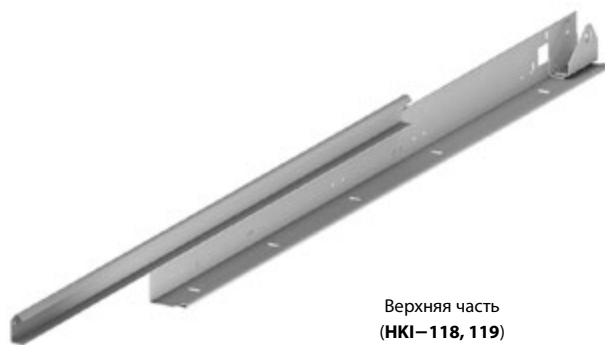
H — высота проема, м



Угловая стойка, состоящая из цельного профиля
(HKI-114, 115)



Нижняя часть
(HKI-116, 117)



Верхняя часть
(HKI-118, 119)

Угловая стойка, состоящая из двух отдельных частей

СИСТЕМА НАПРАВЛЯЮЩИХ

Нащельник

Тип ворот:

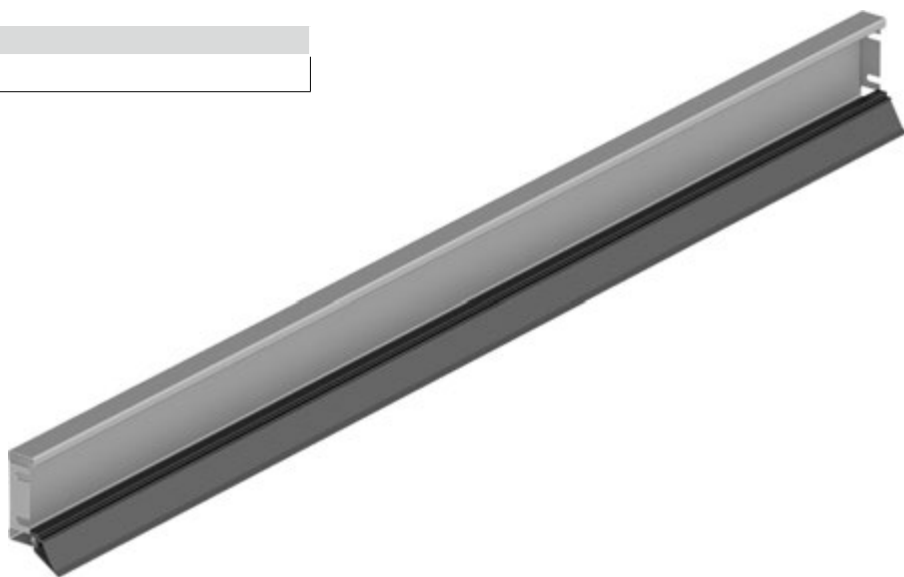
- гаражные ворота Trend с пружинами растяжения;
- гаражные ворота Trend низкого и стандартного типов монтажа.

Состав: профиль передний, вставка уплотнительная.

Единица измерения шт.

Артикул
НКГ-6Т

W — ширина проема, м



04

Нащельник

Тип ворот: промышленные ворота серии ProTrend низкого и наклонного низкого типов монтажа.

Состав: профиль передний, вставка уплотнительная.

Единица измерения шт.

Артикул
НКЛ-120

W — ширина проема, м



Направляющая горизонтальная

Тип ворот:

- гаражные ворота Trend с пружинами растяжения;
- гаражные ворота Trend стандартного типа монтажа.

Состав: профиль направляющий горизонтальный, узел направляющий передний, соединительная пластина.

Единица измерения шт.

Артикул	Тип монтажа	Применение
НКГ-7Т	Стандартный	Левая
НКГ-8Т		Правая
НКГ-16Т	Пружины растяжения	Левая
НКГ-17Т		Правая

H — высота проема, м



Направляющая горизонтальная

Тип ворот: гаражные ворота Trend низкого типа монтажа.

Состав: профиль направляющий горизонтальный, узел направляющий передний, соединительная пластина.

Единица измерения шт.

Артикул
НКГ-12Т
НКГ-13Т

H — высота проема, м



СИСТЕМА НАПРАВЛЯЮЩИХ

Направляющая горизонтальная

Тип ворот: гаражные ворота Trend с торсионными пружинами.

Тип монтажа: высокий с верхним расположением вала.

Состав: профиль направляющий горизонтальный, узел передний.

Единица измерения шт.

Артикул	Применение
НKG-20Т	Левая
НKG-21Т	Правая



04

Направляющая горизонтальная

Тип ворот: промышленные ворота ProTrend всех типов монтажа, кроме вертикальных.

Состав: профиль направляющий горизонтальный, узел передний, соединительные пластины.

Единица измерения шт.



Артикул	Тип монтажа	Применение (система подвеса)	Применение	
НКИ-12	Стандартный	GSH-4	Левая	
НКИ-13			Правая	
НКИ-18		GSH-5	Левая	
НКИ-19			Правая	
НКИ-24	Высокий с верхним расположением вала	GSH-6	Левая	
НКИ-25			Правая	
НКИ-28		GSH-7	Левая	
НКИ-29			Правая	
НКИ-32		GSH-8	Левая	
НКИ-33			Правая	
НКИ-38		Высокий с нижним расположением вала	GSH-9	Левая
НКИ-39				Правая
НКИ-42	GSH-10		Левая	
НКИ-43			Правая	
НКИ-64	Наклонный	GSH-19	Левая	
НКИ-65			Правая	
НКИ-70		GSH-20	Левая	
НКИ-71			Правая	
НКИ-76	Наклонный высокий с верхним расположением вала	GSH-21	Левая	
НКИ-77			Правая	
НКИ-80		GSH-22	Левая	
НКИ-81			Правая	
НКИ-84		GSH-23	Левая	
НКИ-85			Правая	
НКИ-90	Наклонный высокий с нижним расположением вала	GSH-24	Левая	
НКИ-91			Правая	
НКИ-94		GSH-25	Левая	
НКИ-95			Правая	
НКИ-100	Низкий	GSH-17	Левая	
НКИ-101			Правая	
НКИ-102		GSH-18	Левая	
НКИ-103			Правая	
НКИ-104	Наклонный низкий	GSH-27	Левая	
НКИ-105			Правая	
НКИ-106		GSH-28	Левая	
НКИ-107			Правая	

H — высота проема, м

СИСТЕМА НАПРАВЛЯЮЩИХ

Система направляющих

Тип ворот:

- гаражные ворота Trend с пружинами растяжения;
- гаражные ворота Trend низкого, стандартного и высокого типа монтажа.

Состав: система горизонтальных и вертикальных направляющих (правая и левая), радиусные элементы, боковой уплотнитель, нащельник с уплотнителем, мерная планка.

Единица измерения шт.

Артикул	Тип ворот	Тип монтажа
GSH-1T	Стандартный	Стандартный
GSH-2T	Низкий	Низкий
GSH-9T	Пружины растяжения	—
GSH-3T	Высокий	Высокий

W — ширина проема, м

Розничные цены на комплектующие для расчетной формулы расположены на стр. 142, 275–276, 287–289.



Стандартный монтаж



Низкий монтаж



Пружины растяжения



Высокий монтаж

Система направляющих

Тип ворот: промышленные ворота ProTrend стандартного и высокого типов монтажа.

Состав: система горизонтальных и вертикальных направляющих (правая и левая), радиусные элементы, боковой уплотнитель, мерная планка.

Единица измерения шт.

Артикул	Тип монтажа
GSH-4	Стандартный
GSH-5	
GSH-6	Высокий с верхним расположением вала
GSH-7	
GSH-8	
GSH-9	Высокий с нижним расположением вала
GSH-10	

W — ширина проема, м

Розничные цены на комплектующие для расчетной формулы расположены на стр. 143, 277, 290.



Стандартный монтаж



Высокий монтаж с нижним расположением вала



Высокий монтаж с верхним расположением вала

СИСТЕМА НАПРАВЛЯЮЩИХ

Система направляющих

Тип ворот: промышленные ворота ProTrend низких типов монтажа.

Состав: система горизонтальных и вертикальных направляющих (правая и левая), радиусные элементы, боковой уплотнитель, мерная планка, кронштейн под установку шкива.

Единица измерения шт.

Артикул	Тип монтажа
GSH-17	Низкий
GSH-18	
GSH-27	Наклонный низкий
GSH-28	

W — ширина проема, м

Розничные цены на комплектующие для расчетной формулы расположены на стр. 144, 285–287.

04



Низкий монтаж



Наклонный низкий

Система направляющих

Тип ворот: промышленные ворота ProTrend вертикальных типов монтажа.

Состав: система вертикальных направляющих (правая и левая), боковой уплотнитель, мерная планка.

Единица измерения шт.

Артикул	Тип монтажа
GSH-12	Вертикальный с верхним расположением вала
GSH-13	
GSH-14	
GSH-15	Вертикальный с нижним расположением вала
GSH-16	

W — ширина проема, м

Розничные цены на комплектующие для расчетной формулы расположены на стр. 143, 271–280.



Вертикальный монтаж с верхним расположением вала



Вертикальный монтаж с нижним расположением вала

СИСТЕМА НАПРАВЛЯЮЩИХ

Система направляющих

Тип ворот: промышленные ворота ProTrend наклонных типов монтажа.

Состав: система вертикальных и горизонтальных направляющих (правая и левая), радиусные элементы, боковой уплотнитель, мерная планка.

Единица измерения шт.

Артикул	Тип монтажа
GSH-19	Наклонный
GSH-20	
GSH-21	Наклонный высокий с верхним расположением вала
GSH-22	
GSH-23	
GSH-24	Наклонный высокий с нижним расположением вала
GSH-25	

W — ширина проема, м

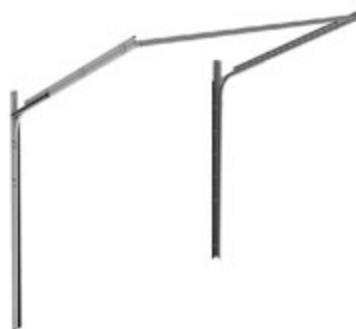
Розничные цены на комплектующие для расчетной формулы расположены на стр. 144, 282–283, 290.



Наклонный высокий монтаж с нижним расположением вала



Наклонный высокий монтаж с верхним расположением вала



Наклонный



ООО «Алютех Воротные Системы»



СООО «Алюмин Техно»



ООО «Алютех Инкорпорейтед»

Группа компаний «АЛЮТЕХ» является одним из лидеров рынка роллетных систем и секционных ворот в Западной и Восточной Европе, ведущим производителем алюминиевых профильных систем на территории СНГ. Холдинг «АЛЮТЕХ» включает в себя пять производственных предприятий, а также более 20 сбытовых компаний в СНГ и Европе.

С 2016 года Группа компаний «АЛЮТЕХ» начала производство перегрузочного оборудования. Продуктовый портфель компании дополнили решения для организации эффективной работы складов и логистических центров: докшелтеры, доклевеллеры, перегрузочные посты и площадки.

В 2017 году холдинг расширил ассортимент, выпустив собственную линейку технологичной и концептуальной автоматики для въездных, гаражных и промышленных ворот.

Все предприятия «АЛЮТЕХ» оснащены высокотехнологичным оборудованием, таким как:

- комплекс по окраске и раскрою алюминиевой и стальной ленты,
- роллформинговые линии,
- автоматизированные комплексы литья под давлением,
- линии по производству воротного полотна и сэндвич-панелей для секционных ворот,
- автоматизированные склады хранения и сортировки продукции,
- литейный комплекс по выпуску алюминиевых слитков,
- линии по производству алюминиевых экструдированных профилей,
- горизонтальная и вертикальные линии порошковой окраски,
- крупнейший в СНГ комплекс по анодированию алюминиевых профилей.

Наличие собственных производственных комплексов позволяет специалистам Группы компаний «АЛЮТЕХ» контролировать качество продукции на всех этапах производственного процесса: от разработки проекта, закупки сырьевых материалов до выпуска готовой продукции и ее упаковки. Система менеджмента качества на всех предприятиях Группы сертифицирована на соответствие требованиям международных стандартов ISO 9001 и ISO 14001.

Продукция компании установлена на миллионах объектах и поставляется более чем в 65 стран СНГ, Европы, Азии, Африки и Северной Америки.